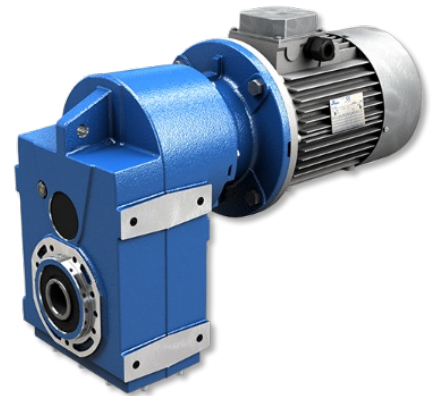


# TECHNICAL CATALOGUE



## SHAFT MOUNTED GEARED MOTORS

STANDARD **IEC**  
DIRECTIVE **ATEX** 



## 1. GENERAL INFORMATION

1.1	COMPANY PROFILE .....	4
1.2	PRODUCTS AND SOFTWARE MOTOVARIO .....	6
1.3	ATEX .....	9
1.4	SYMBOLS AND FORMULAS .....	10
1.4.1	Symbols .....	10
1.4.2	Formulas .....	11
1.5	PRODUCT SELECTION .....	12
1.5.1	Product selection .....	12
1.6	SERVICE FACTOR .....	13
1.7	INSTALLATION .....	14
1.7.1	Installation .....	14

## 2. PRODUCT INFORMATION

2.1	DESIGN FEATURES .....	15
2.2	TYOLOGY .....	16
2.2.1	Designation .....	16
2.2.2	Versions .....	17
2.2.3	Modularity .....	18
2.3	MOUNTING POSITIONS .....	19
2.3.1	Mounting positions .....	19
2.3.2	Position of terminal box .....	19
2.4	CRITICAL APPLICATIONS .....	20
2.4.1	Critical applications .....	20
2.4.2	Information .....	20
2.5	MOTOR FLANGE AVAILABILITY .....	21
2.6	OUTPUT SHAFT BEARINGS .....	25
2.7	RADIAL LOAD .....	26
2.7.1	Information .....	26
2.7.2	Input .....	26
2.7.3	Output .....	27
2.8	LUBRICATION .....	28
2.8.1	Information .....	28

2.8.2	Lubricants .....	28
2.8.3	Special lubricants .....	29
2.8.4	Quantity .....	30
<b>2.9</b>	<b>MOMENTS OF INERTIA .....</b>	<b>31</b>

### 3. DIMENSIONS

<b>3.1</b>	<b>REDUCERS/GEARED MOTORS .....</b>	<b>32</b>
3.1.1	S 052...123 .....	32
3.1.2	S 142...153 .....	33
3.1.3	CS 052...123 .....	34
3.1.4	IS 052...123 .....	36
3.1.5	IS 142...153 .....	37
<b>3.2</b>	<b>WEIGHTS .....</b>	<b>38</b>
<b>3.3</b>	<b>SHAFT END .....</b>	<b>39</b>
<b>3.4</b>	<b>ELECTRIC MOTORS .....</b>	<b>40</b>
3.4.1	Electric motors .....	40
3.4.2	Standard high efficiency (TS), high (TH, SH, HSH) and premium (TP) motors .....	42
3.4.3	Nominal power - [kW] .....	43

### 4. ACCESSORIES AND OPTIONS

<b>4.1</b>	<b>LOW SPEED SHAFTS .....</b>	<b>44</b>
<b>4.2</b>	<b>OUTPUT FLANGE .....</b>	<b>45</b>
<b>4.3</b>	<b>SHAFT MOUNTING FASTENING .....</b>	<b>46</b>
4.3.1	Reaction bolt .....	46
4.3.2	Torque arm - S 142...153 .....	46
<b>4.4</b>	<b>BACKSTOP DEVICE .....</b>	<b>47</b>
<b>4.5</b>	<b>OUTPUT SHAFT WITH SHRINK DISC .....</b>	<b>48</b>
<b>4.6</b>	<b>REINFORCED OIL SEALS FOR OUTPUT SHAFT .....</b>	<b>49</b>
<b>4.7</b>	<b>ASSEMBLING/DISASSEMBLING KIT .....</b>	<b>50</b>
<b>4.8</b>	<b>MACHINE AXIS .....</b>	<b>51</b>

## 5. ATEX AVAILABILITY

5.1	ATEX AVAILABILITY .....	52
-----	-------------------------	----

## 6. PERFORMANCES

6.1	S GEARED MOTORS (50Hz) .....	53
6.2	IS GEAR REDUCER - 1750 rpm .....	96
6.3	IS GEAR REDUCER - 1400 rpm .....	104
6.4	IS GEAR REDUCER - 1140 rpm .....	112
6.5	IS GEAR REDUCER - 900 rpm .....	120
6.6	IS GEAR REDUCER - 700 rpm .....	128
6.7	IS GEAR REDUCER - 500 rpm .....	136

## 7. SALES CONDITIONS

7.1	SALES CONDITIONS .....	144
-----	------------------------	-----

Motovario® corporate philosophy aims to promote the company's brand and products at an international level with determination and transparency, while constantly striving to offer innovative solutions for satisfying and anticipating the demand of the market. Motovario® provides technologically advanced solutions in the transmission components field for industrial and civil applications worldwide.

### The company

At Formigine, the heart of Modena's industrial district, Motovario® boasts a production plant spanning 50,000 m<sup>2</sup> that employs 500 people.

1965 Foundation of Motovario

1998 Acquisition of Spaggiari Trasmissioni, an important brand in the mechanical technology sector.

2006 Motovario acquisition by a private investment fund managed by Synergo SGR, in order to guarantee its development and support its expansion throughout the world.

2014 Acquisition of Pujol.

2015 Acquisition by TECO.

At the core of Motovario® lies an evolved production process based on technological solutions that convert power into movement. Motovario® is at the heart of the production processes that drive industries worldwide. Quality and reliability are the company's fundamental assets. Motovario® is present throughout the world with branches in France, Spain, Germany, England, China, the United States and India. The sales network and customer service guarantee immediate and high-quality support to all customers. In addition, the company boasts a worldwide network of MAC (Motovario Assembly Centre). Qualified assembly centres are present, in Italy, Australia, Benelux, Bulgaria, China, Finland, France, India, Ireland, Israel, Malaysia, Poland, Portugal, South Korea, Spain, Sweden, Turkey, United Kingdom, Ukraine and USA. The company is able to offer a wide range of products: speed variators, right-angle, helical-bevel, shaft-mounted, worm gear reducers and gearmotors, electric motors, inverter and inverter drives. Maximum quality and precision are ensured by the cutting-edge technologies implemented in the production process. 170 numerical control machines, served by LGV lines for storage in automatic warehouses, ensure a high standard of efficiency for the Motovario® production department.

The highly automated assembly lines are supported by a specific computerised system. The process statistical control system manages the production process to avoid rejects, by enabling the operator to monitor all the processing phases. The annealing, tempering, hardening and carburizing treatments are carried out inside the plant. The plant operates on a 24-hour basis, including holidays. Reliability, resilience and versatility are the distinctive features of Motovario® products, the most qualified solution to any power transmission requirement.

### Main fields OF APPLICATIONS

- Mechanical-electromechanical industry (car washing, pumps, barriers & automatic doors, circuit breakers)
- Ceramic industry (ovens, press feeding systems)
- Food, farming, oenology industry
- Wood, marble, glass industry
- Packaging & bottling industry
- Textile, shoes, leather industry
- Transport, logistic industry
- Construction industry
- Milling, animal husbandry, flower industry
- Machine tools & steel industry
- Mining, quarry, cement industry
- Energy industry (solar, nuclear, biomass, wind)
- Amusement industry (theatres, leisure parks, kiddy rides)
- Chemical & pharmaceuticals industry
- Paper & printing industry
- Plastic & rubber industry
- Telecommunications industry (satellite orientation systems, military radar)
- Engineering and consultant companies

### Certifications

Our products can be manufactured to conform with the ATEX Directive 2014/34/UE. In addition, the safety and quality of our motors, geared motors and motovariators is guaranteed by the EAC (EurAsian Conformity) certification, an essential requirement for products exported to the Russian Federation. Our motors are UL certified, which guarantees their safety and quality requirements for the North American market.

### Quality CONCEPT

Motovario® has obtained the quality certification renewal of its production system in conformity to the UNI EN ISO 9001:2008 standard. This internationally recognised certification acknowledges the company's commitment and drive geared towards constantly improving products, projects and services offered. Moreover, the company has obtained the OHSAS 18001:1999 (Occupational Health and Safety Assessment Series) certification, which defines the requirements of the workplace safety and health management system.

### Research & DEVELOPMENT

Technological innovation: a crucial factor for competing in the market. In the company's 50-year history, research and change have been the pivotal factors in guaranteeing competitiveness at a global level, thanks to increasingly advanced products in terms of performance and reliability. Each year the company invests an increasing amount of its turnover in research and development, geared towards promoting the constant study and analysis of products, control processes and performance certification. In order to ensure that customers receive products that comply with the requested performance levels, the company carries out simulations on all new products, including NVH (Noise, Vibration, Harshness) tests effected in the advanced semi-anechoic chamber.

### Customer CARE

Innovative instruments and software applications supporting the technical and logistic requirements of our partners worldwide guarantee a timely and customised service. The experience acquired by Motovario® has led to the creation of the new online portal MyMotovario 4.0, which allows for selecting products and exporting their 3D file. As a result, designers and engineering departments can download the three-dimensional model of the requested product and implement it directly in their own layout. In order to maximise customer service and quality, Motovario® offers all its customers the following online services: Order Tracking, which allows for monitoring the progress of an order in real time, and the Stock Availability service, through which users may check the availability (stock) of our products, both in the Italian plant and in the various branches.

### Motovario chooses technological evolution.

Motovario® has chosen technological evolution and actively collaborates with the Faculty of Engineering of the University of Modena and Reggio Emilia and of the University of Bologna.

**Reliability, sturdiness, versatility**

These are the distinctive traits of Motovario products. A broad range of transmission products that provide a competent, innovative solution to each and every power application need. Cutting-edge tools, unrelenting research efforts and ongoing commitment to upgrading manufacturing equipment to the latest state-of-the-art enable us to offer high quality and performance standards to cater to industry requirements and the broadest variety of applications. Motovario ranks among the leading, well-reputed companies in Italy engaged in the design, manufacture and sales of transmission products for industrial and civil applications. The entire manufacturing process takes place in Formigine and Ubersetto plants, in Modena area, with an overall surface area of over 50.000 sq m. and a workforce of about 500 people. 170 numerically controlled machines and cutting-edge handling, storage and assembly automated systems ensure that all products meet high quality standards. The network includes more than 40 Motovario-certified assembly centres, with the capability to supply products in a broad range of versions, including customised versions, high service capacity and fast response. As a result, our product offering can cater to the needs of all plant engineering sectors, in all industries and for different applications, and includes: speed variators, helical, bevel-helical, parallel helical, worm gear reducers and gearmotors, electric motors and motor-inverters. All of the products we manufacture share such common features as reliability, sturdiness and versatility, topped with a high innovation content. At the heart of a company's technological innovation is the ability to develop integrated tools for computer-aided calculation simulation and management of different processes as part of product development. When simulating operating, setup and process conditions, it is also necessary to analyse and optimize the overall functional design of a product using a synergistic approach. This is achieved by implementing an exhaustive experimental plan, without using interpolation or approximation, as they frequently allow criticalities or any oversizing which is not conducive to maximising quality/cost ratio to go unnoticed.

**High-efficiency method for calculation according to standards**

A set of specific functions have been developed to this end. A few significant examples include functions to:

- Optimise individual reduction ratios and the combinations of the different reduction stages based on parametrisable target normal series;
- Calculate torque values and maximum permissible external forces for gear reducer units, using iterative numeric algorithms to confirm target life/safety values of components;
- Create databases for loading a FEM structural analysis model by automatically writing all reaction components of bearings under all load conditions to a specific file, with automatic selection of critical cases that need to be verified.

Another goal of the method is to create synergy between calculation according to standards and FEM structural calculation and the implementation of FEM model loading procedures, so as to simplify input data, meshing and constraint criteria

**Competitiveness and operational benefits of the new method**

This method offers many practical advantages over traditional calculation procedures within the company, namely:

- Iterative optimisation of project since setup stage;
- Accurate assessment of the various service factors and reliability levels for the entire gear reducer unit and for all operating conditions as per catalogue rating or customer specific requirements;
- Faster support to customers in analysing tailored product configurations;
- Integrated corporate databases that can be updated in real-time.

**Range extension and ongoing evolution**

The steady, significant growth of Motovario Group is achieved thanks to an ongoing search for new calculation and design tools, as well as to customer service. The new tools identified have led to innovation, improved product reliability as well as positive developments in market management. The following software products are used for design, calculation and management:

- Solidworks;
- Kisoft;
- Kissys;
- Ansys;
- FEM modelling analysis software;
- Circuit design and simulation software;
- Specific spreadsheets;
- SAP.

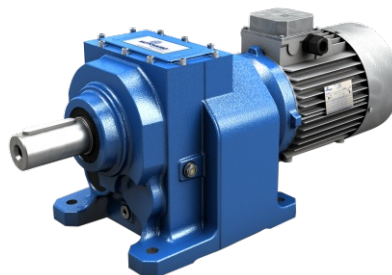
In MyMotovario 4.0 portal, PRODUCT SELECTION includes a section named APPLICATIONS where customers can enter application data and find out which gear reducer suits them best in a matter of minutes.



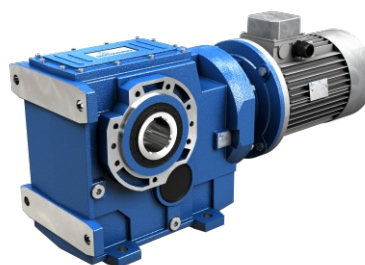
## MOTOVARIO Products

**HELICAL GEAR REDUCERS**

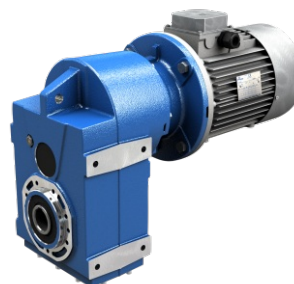
Cast iron or aluminum casing  
 Output shaft up to 90 mm  
 $Mn_2$  up to 8.600 Nm  
 Reduction stages 1, 2, 3  
 Ratios up to 354  
 ATEX units

**HELICAL BEVEL GEAR REDUCERS**

Cast iron or aluminum casing  
 Output shaft up to 110 mm  
 $Mn_2$  up to 14.000 Nm  
 Reduction stages 2, 3  
 Ratios up to 443  
 ATEX units

**SHAFT MOUNTED GEAR REDUCERS**

Cast iron  
 Output shaft up to 90 mm  
 $Mn_2$  up to 10.250 Nm  
 Reduction stages 2, 3  
 Ratios up to 395  
 ATEX units

**WORM GEAR REDUCERS**

Cast iron or aluminum casing  
 Output shaft up to 50 mm  
 $Mn_2$  up to 2.700 Nm  
 Ratios up to 1083  
 ATEX units

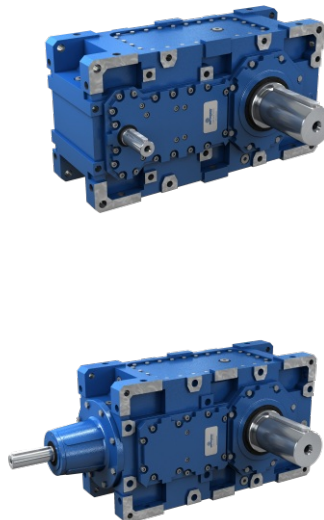
**PLANETARY GEARED UNITS**

Cast iron  
 Output shaft up to 80 mm  
 $Mn_2$  up to 10000 Nm  
 Reduction stages 1, 2, 3, 4  
 Ratios up to 2700



**PARALLEL HELICAL AND BEVEL HELICAL GEAR REDUCERS FOR MIDDLE HEAVY INDUSTRY**

Cast iron casing  
 Output shaft up to 180 mm  
 Mn<sub>2</sub> up to 110.000 Nm  
 Reduction stages 2, 3, 4  
 Ratios up to 431  
 ATEX units

**MOTOVARIATORS AND MOTOVARIATOR-GEAR REDUCERS**

Cast iron or aluminum casing  
 Mn<sub>2</sub> up to 5.000 Nm  
 ATEX units

**ELECTRIC MOTORS**

Power ratings up to 90 kW  
 Poles 2, 4, 6  
 Three-phase and single-phase, built-in brake, dual polarity  
 Protection class up to IP66

**DRIVES****DRIVON - motoinverter**

Three phase and single phase power supply  
 High dynamics sensorless vectorial control  
 Power ratings up to 5,5 kW  
 Standard integrated STO  
 Integrated field bus  
 Optional field bus





## ATEX Certification

The gear reducers described in this catalogue, defined as “ATEX”, were designed and manufactured in compliance with: Directive **ATEX 2014/34/UE**.

If used by following the instructions set forth in the INSTALLATION AND USE INSTRUCTIONS Atex Manual (provided as an attachment to the supplied products), ATEX MOTOVARIO gear reducers can be used in one of the following environments:

### Group II

#### Category 2G and 2D

#### Zone 1/21 for gases and dusts (gas group IIB) with the following protection methods:

Protection against ignition:

EN13463-5 (c) constructional safety

EN13463-8 (k) liquid immersion

### Group II

#### Category 3G and 3D

#### Zone 2/22 for gases and dusts

Protection against ignition:

EN13463-5 (c) constructional safety

The room temperature envisaged for the application must range between -20 and + 40 °C (\*).

The products certified for use in Zone 1/21 can be used also in Zone 2/22. To identify the environment inside which the Atex certification of the special gear reducer is limited, refer to Atex Performance Tables.

The classified units are manufactured and marked to comply with the provisions of Directive **ATEX 2014/34/UE**.

### UNINTENDED USE

It is strictly forbidden to use the gear reducer:

- inside an area with equipment category I (mines likely to become endangered by firedamp);
- inside an Area classified as more severe than specified on product label;
- at a room temperature not falling within the specified limits (\*);
- under conditions (P1, n1, M2) that, even individually, exceed the values specified inside Atex Performance Tables.

## 1.4.1 Symbols

Physical dimension	Symbol	Symbol units of measure	Input	Output
Power	P	[kW]	P <sub>1</sub>	P <sub>2</sub>
Requested power	Pr	[kW]	Pr <sub>1</sub>	Pr <sub>2</sub>
Nominal power	Pn	[kW]	Pn <sub>1</sub>	Pn <sub>2</sub>
Torque	M	[Nm]	M <sub>1</sub>	M <sub>2</sub>
Nominal torque	Mn	[Nm]	/	Mn <sub>2</sub>
Requested torque	Mr	[Nm]	Mr <sub>1</sub>	Mr <sub>2</sub>
Speed	n	[rpm]	n <sub>1</sub>	n <sub>2</sub>
Force	F	[N]	/	/
Radial load	Fr	[N]	Fr <sub>1</sub>	Fr <sub>2</sub>
Axial load	Fa	[N]	Fa <sub>1</sub>	Fa <sub>2</sub>
Reduction ratio	i	[ ]	/	/
Dynamic efficiency	η <sub>d</sub>	[ ]	/	/
Service factor	f.s.	[ ]	/	/
Life factor	Fh	[ ]	Fh <sub>1</sub>	Fh <sub>2</sub>
Corrective factor	fh	[ ]	fh <sub>1</sub>	fh <sub>2</sub>
Static	s	[ ]	/	/
Dynamic	d	[ ]	/	/
Calculated	c	[ ]	/	/
Maximum	max	[ ]	/	/
Minimum	min	[ ]	/	/
Moment of inertia	J	[kgm <sup>2</sup> ]	J <sub>1</sub>	J <sub>2</sub>
Ambient temperature	T <sub>amb</sub>	[°C]	/	/
Dimension		[mm]	/	/
Angular backlash	y	[arcmin]	y <sub>1</sub>	y <sub>2</sub>

## 1.4.2 Formulas

REDUCER		
Starting or stopping time	$t = v / a$	[s]
Velocity in rotary motion	$v = \pi * d * n / 60$ $v = \omega * r$	[m/s]
Speed velocity Angular velocity	$n = 60 * v / (\pi * d)$ $\omega = v / r$	[rpm] [rad/s]
Acceleration or deceleration according to a starting / stopping time	$a = v / t$	[m/s <sup>2</sup> ]
Angular acceleration	$\alpha = n / (9,55 * t)$ $\alpha = \omega / t$	[rad/s <sup>2</sup> ]
Starting or stopping distance (according to acceleration / deceleration or angular velocity)	$s = a * t^2 / 2$ $s = v * t / 2$	[m]
Horizontal translation force	$F = \mu * m * g$	[N]
Vertical translation force (lifting)	$F = m * g$	
Inclined plane translation force	$F = m * g (\mu * \cos\beta + \sin\beta)$	
m= mass [kg]; g= gravity acceleration [m/s <sup>2</sup> ]; $\mu$ = friction coefficient; $\beta$ = angle of inclination		
Moment of inertia	$J = m * v^2 / \omega^2$	[kgm <sup>2</sup> ]
Torque	$M = F * d / 2$ $M = J * \omega / t$	[Nm]

MOTOR and GEARMOTOR		
Starting time	$t_a = (J_{ext} + J_m) * n_n / 9,55 + (M_{peak} - M_r)$	[s]
Braking time	$t_s = (J_{ext} + J_m) * n_n / 9,55 + (M_{peak} + M_r)$	[s]
Motor rotation angle during starting	$\varphi = n_n * t_a / 19,1$	[rad]
Motor rotation angle during braking	$\varphi = n_n * t_s / 19,1$	[rad]
Power available at the shaft of single phase motor	$P = V * I * \eta * \cos\omega$	[W]
Power available at the shaft of three phase motor	$P = 1,73 * V * I * \eta * \cos\omega$	[W]

RUNNING at 60Hz		
Speed velocity at 60Hz	$n_{60Hz} = 1,2 * n_{50Hz}$	[rpm]
Power at 60Hz	$P_{1\ 60Hz} = P_{1\ 50Hz} * V_{60Hz} / V_{50Hz}$	[kW]
If input voltage at 60 Hz ( $V_{60Hz}$ ) corresponds to winding voltage at 50 Hz ( $V_{50Hz}$ ), power doesn't change $P_{1\ 60Hz} = P_{1\ 50Hz}$		
If input voltage at 60 Hz ( $V_{60Hz}$ ) is 20% higher than winding voltage at 50 Hz ( $V_{50Hz}$ ), power increases by 20% $P_{1\ 60Hz} = 1,2 P_{1\ 50Hz}$		
Torque at 60Hz	$M_{60Hz} = M_{50Hz} * P_{1\ 60Hz} / (1,2 * P_{1\ 50Hz})$	[Nm]
Service factor at 60Hz	$f.s_{60Hz} = f.s_{50Hz} * 1,175 * P_{1\ 50Hz} / P_{1\ 60Hz}$	-

### 1.5.1 Product selection

For correctly selecting a gear reducer or geared motor, several essential pieces of data are required:

1. The rotational input speed to the gear reducer ( $n_1$ ) and the rotational output speed ( $n_2$ ). Through these two values it is possible to calculate the reduction ratio ( $i$ ) of the gear reducer using the following formula:  $i=n_1/n_2$
2. The torque required by the application ( $Mr_2$ ).

The geared motor or gear reducer can be selected once this data is known.

This guide helps you to select the right product in just a few steps:

#### Geared motor selection

1. Determine the application's actual service factor (**s.f.**). This parameter depends on the type of load of the powered machine, the number of starts per hour and the hours of operation (refer to the "Service factor" paragraph).
2. Calculate the input power  $Pr_1$  using the required torque value  $Mr_2$ , the speed  $n_2$  and dynamic efficiency value.  $Pr_1=(Mr_2*n_2)/(9550*\eta_d)$ . The dynamic efficiency value depends on the type of gear reducer and on the number of gear reduction stages. (To calculate the efficiency value see its page).
3. Consult the geared motor performance tables and identify a nominal power value  $Pn_1$  exceeding the required power  $Pr_1$ , such that:  $Pn_1 \geq Pr_1$
4. Once the suitable nominal power has been identified, select the geared motor capable of generating the rotational speed closest to the desired  $n_2$  value and with service factor s.f. greater or equal to that required by the application.

In the geared motor selection tables the combinations include 2-pole, 4-pole and 6-pole motors powered at 50Hz.

#### Gear reducer selection

1. Determine the application's service factor (**s.f.**) (consult to the "Service factor" paragraph on its page).
2. Calculate the reduction ratio  $i$  from the requested output speed  $n_2$  and from the input speed  $n_1$ .  $i=n_1/n_2$
3. Calculate the torque  $Mc_2$  for selecting the gear reducer through the torque required by the application  $Mr_2$  and the service factor s.f.:  $Mc_2=Mr_2*(f.s.)$
4. Consult the Gear Reducer Performance tables looking for the reducer that, with the reduction ratio closer to the calculated one, has a nominal torque  $Mn_2$  so that:  $Mn_2 \geq Mc_2$

#### Checks

Once the gear reducer or geared motor has been selected, the following checks should be performed:

##### A. Thermal power

The gear reducer's thermal power must be equal to or greater than the installed mechanical power, or the power required by the application according to the indications contained in the section (refer to the "Thermal power" paragraph).

##### B. Maximum torque

Generally, the maximum torque (peak instantaneous load) that can be applied to the gear reducer must not exceed 200% of the nominal torque  $Mn_2$  (ATEX -  $M_{2max}$ ).

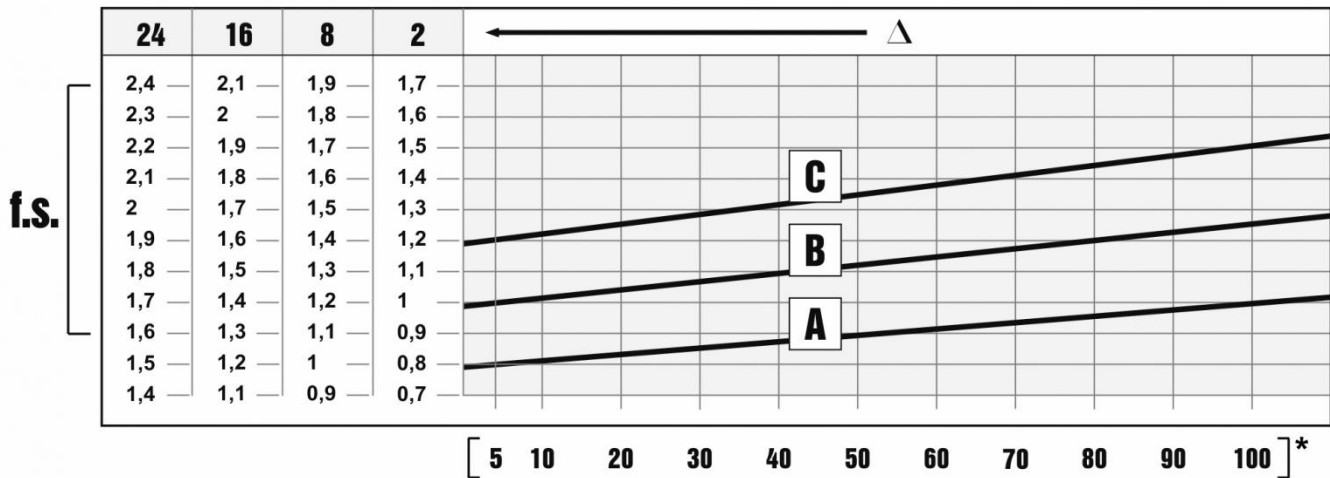
##### C. Radial loads

1. Verify that the radial loads acting on the input and/or output shafts are within with the values indicated in the catalogue. If they exceed these values, increase the size of the gear reducer or modify the external load capacity. During the checking phase, it is important to remember that the values indicated in the catalogue refer to loads acting on the mid-point of the shaft protrusion, therefore, if the load is applied to a different position, appropriate formulas must be used to calculate the admissible load in the desired position (refer to the "Radial loads" paragraph).
2. If accessory output shafts are present, make sure that the applied load is compatible with shaft size. If help is needed: contact MOTOVARIO TECHNICAL SERVICE.

D. If an electric motor is going to be fitted to the selected gear reducer, check for its applicability by referring to the configuration table (see paragraph "Motor flange availability"). From IEC 180 motors, verify if necessary to support the motor with feet. In case of need please contact MOTOVARIO TECHNICAL SERVICE.



**For Atex product selection, use the service factor "f.s. Atex".  
For Atex product Selection, refer to Atex Gear Reducer Performance tables.**



The service factor (f.s.) depends on the operating conditions the gear reducer is subjected to. The parameters that need to be taken into consideration to select the most adequate service factor correctly comprise:

- type of load of the operated machine : A - B - C
- length of daily operating time: hours/day ( $\Delta$ )
- start-up frequency: starts/hour (\*)

#### LOAD:

- **A** - uniform =  $f_a \leq 0,3$
- **B** - moderate shocks =  $f_a \leq 3$
- **C** - heavy shocks =  $f_a \leq 10$

#### $f_a = J_e/J_m$

- $J_e$  [ $\text{kgm}^2$ ] moment of reduced external inertia at the drive-shaft
- $J_m$  [ $\text{kgm}^2$ ] moment of inertia of motor

If  $f_a > 10$  call MOTOVARIO TECHNICAL SERVICE.

In the case of a variable speed reducer, once determined the service factor of the application it is necessary to compare this value with the safety factor of the S reducer reported in the selection tables, verifying  $S \geq f.s.$  condition. The maximum number of admissible starts depends on the type of application. Approximately, the figure must not exceed 5-10 for minute. Contact MOTOVARIO TECHNICAL SERVICE if you have any special requirements.

- Screw feeders for light materials, fans, assembly lines, conveyor belts for light materials, small mixers, lifts, cleaning machines, fillers, control machines.
- Winding devices, woodworking machine feeders, goods lifts, balancers, threading machines, medium mixers, conveyor belts for heavy materials, winches, sliding doors, fertilizer scrapers, packing machines, concrete mixers, crane mechanisms, milling cutters, folding machines, gear pumps.
- Mixers for heavy materials, shears, presses, centrifuges, rotating supports, winches and lifts for heavy materials, grinding lathes, stone mills, bucket elevators, drilling machines, hammer mills, cam presses, folding machines, turntables, tumbling barrels, vibrators, shredders.

### 1.7.1 Installation

To install the gear reducer it is necessary to note the following recommendations:

- Check the correct direction of rotation of the gear reducer output shaft before fitting the unit to the machine.
- In the case of particularly lengthy periods of storage (4/6 months), if the oil seal is not immersed in the lubricant inside the unit, it is recommended to change it since the rubber could stick to the shaft or may even have lost the elasticity it needs to function properly.
- Whenever possible, protect the gear reducer against solar radiation and bad weather.
- Ensure the motor cools correctly by ensuring good passage of air from the fan side.
- In the case of ambient temperatures  $< -5^{\circ}\text{C}$  or  $> +40^{\circ}\text{C}$  call MOTOVARIO TECHNICAL SERVICE.
- The various parts (pulleys, gear wheels, couplings, shafts, etc.) must be mounted on the solid or hollow shafts using special threaded holes or other systems that anyhow ensure correct operation without risking damage to the bearings or external parts of the units. Lubricate the surfaces in contact to avoid seizure or oxidation.
- Painting must definitely not go over rubber parts and the holes on the breather plugs, if any.
- For units equipped with oil plugs, replace the closed plug used for shipping with the special breather plug.
- Check the correct level of the lubricant through the indicator, if there is one.
- Starting must take place gradually, without immediately applying the maximum load.
- When there are parts, objects or materials under the motor drive that can be damaged by even limited spillage of oil, special protection should be fitted.

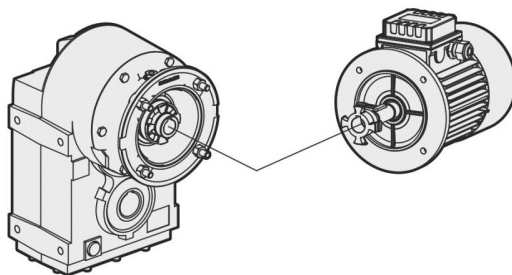
#### Assembling motor on pam flange

When the unit is supplied without motor, it is necessary to follow these recommendation to ensure the correct assembly of the electric motor. Check that the tolerances for the motor shaft and flange correspond to the "standard". Carefully clean the shaft, spigot and surfaces of the flange removing traces of paint and dirt, and confirm the key is fitted correctly. Fit the half coupling/sleeve to the motor shaft (see picture) taking care to ensure the motor shaft and bearings are not damaged by avoiding excessive force and where necessary using assembly equipment. Place the couplings elastic element onto the motor half coupling and position the motor up to the gear unit ensuring the coupling element is aligned with the driven half coupling. Complete the assembly using the fixing bolts. Key-ways with tightened tolerances.

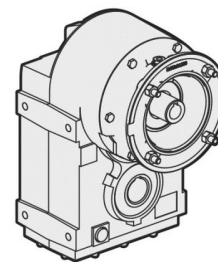


In case of ATEX units, fit gasket (to be requested to Motovario) between PAM flange and motor.

Flexible joint



PAM Sleeve





Motovario products are supplied with the following surface treatment features:

**Grey-coloured cast-iron cases for gears**

- Die-cast materials are always painted.

**Grey-coloured cast-iron inspection cover:** The gear reducer S... series with 2, 3 stages size 125, 140, 150 are supplied with grey-coloured cast-iron closing cover and a metal nameplate printed.



**Painting specifications:**

- Orange-peel blue epoxy-polyester RAL 5010. Polyester resin based heat-hardening powders, altered with epoxy resins.

**Mechanical properties:** Tests carried out onto degreased Unichim white lattens (film thickness: 60 microns) comply with the following specifications: adherence (ISO2409).

**Heat resistance:** 24 HOURS AT 150°C.

**Corrosion strength:** ASTM B 117/97 salt fog from 100 to 500 hours depending on the support's preliminary treatment.

**Performance:**

- Loading capacity in accordance with DIN 3990, ISO 6336, AGMA 2101, ISO 10300, DIN 3991, ISO 281, DIN 743.

**Efficiency  $\eta$ :**

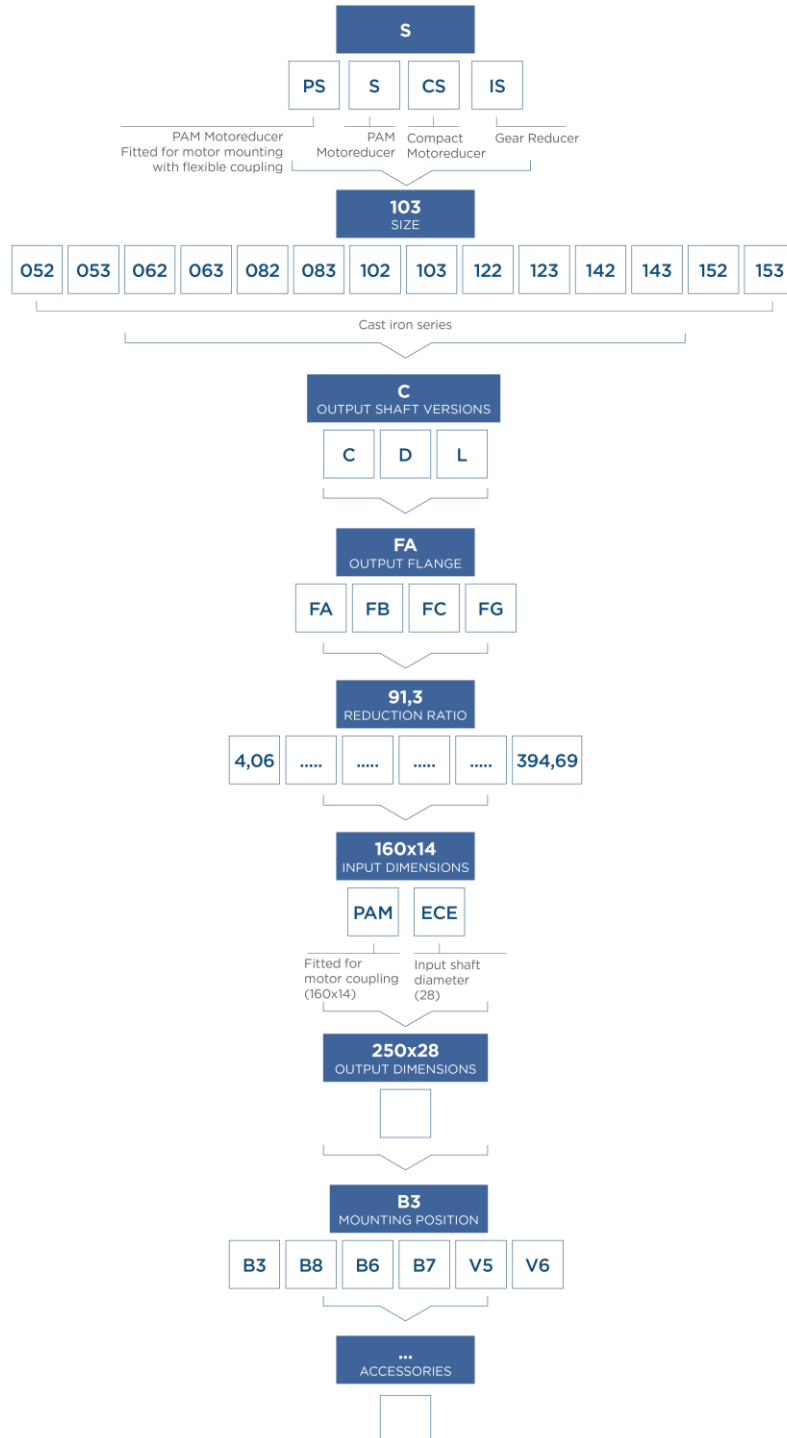
- The efficiency is the ratio between the output power  $P_2$  and the power absorbed by the gear reducer  $P_1$ :  $\eta = P_2/P_1$ .

S-range shaft-mounted reducers have an average value equal to:

S..2 stages = 0,96

S..3 stages = 0,94

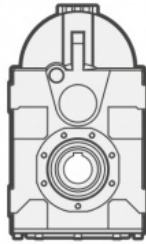
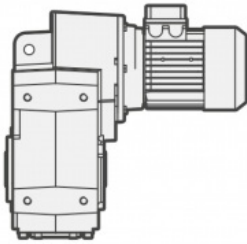
## 2.2.1 Designation



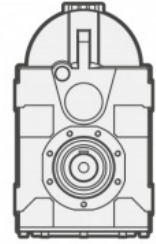
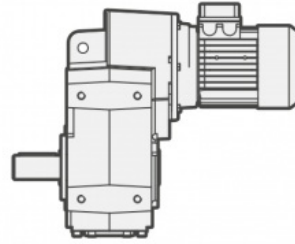
### 2.2.2 Versions

S... C - S... D - S... L

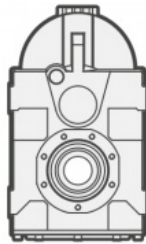
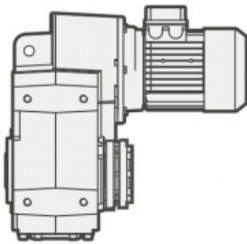
S... C FOOT-FLANGE MOUNTING / HOLLOW SHAFT



S... D FOOT-FLANGE MOUNTING / D SOLID SHAFT



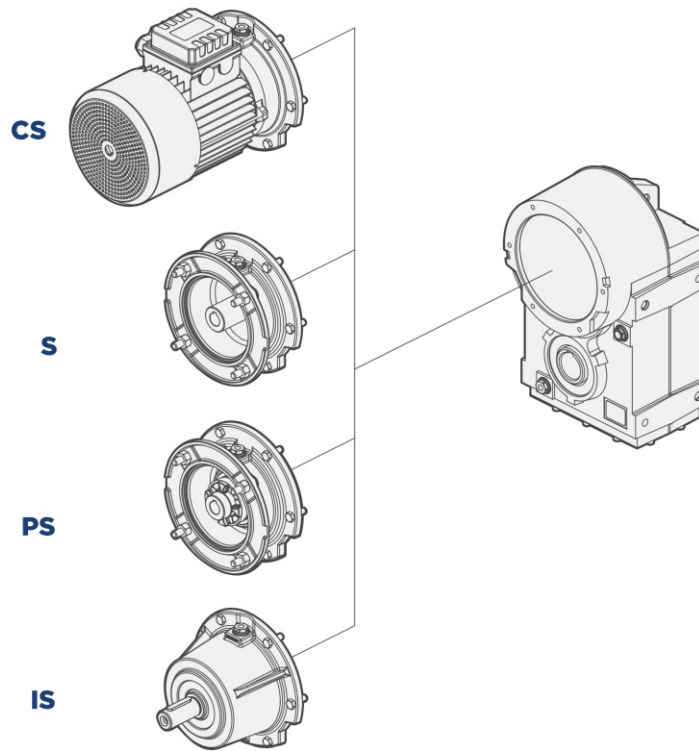
S... L FOOT-FLANGE MOUNTING / SHRINK DISC SHAFT



ATEX GEAR REDUCERS  
SL VERSION IS AVAILABLE FOR 3G/3D CERTIFICATION ONLY

### 2.2.3 Modularity

#### S GREY CAST IRON SERIES



**CS**  
Compact electric motor versions

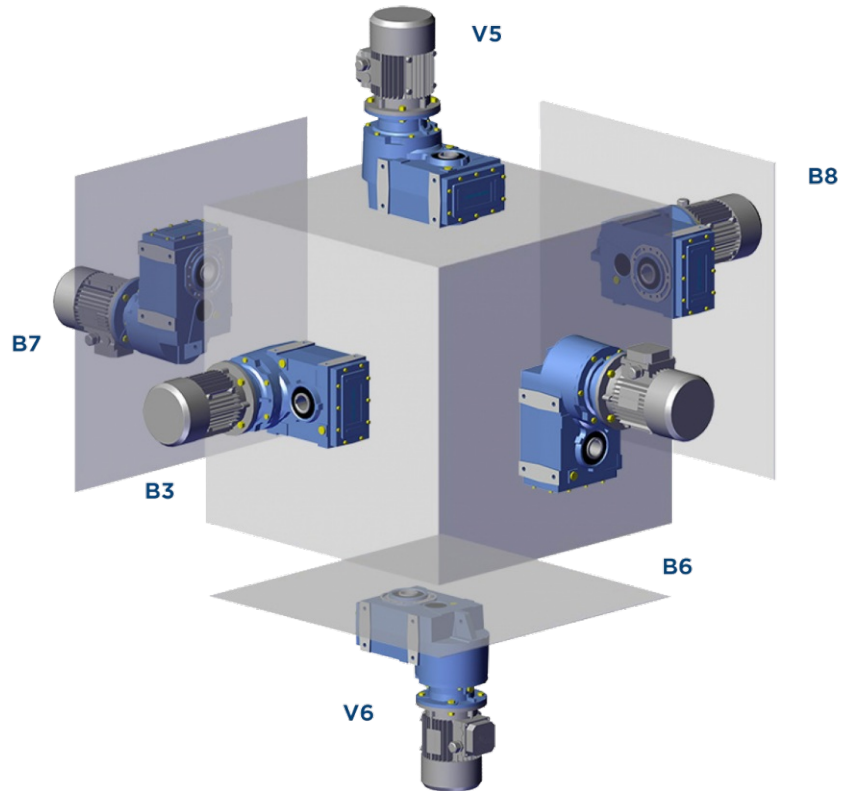
**PS**  
Fitted for motor mounting  
with flexible coupling

**S**  
Fitted for motor coupling version  
(PAM)

**IS**  
Input shaft versions

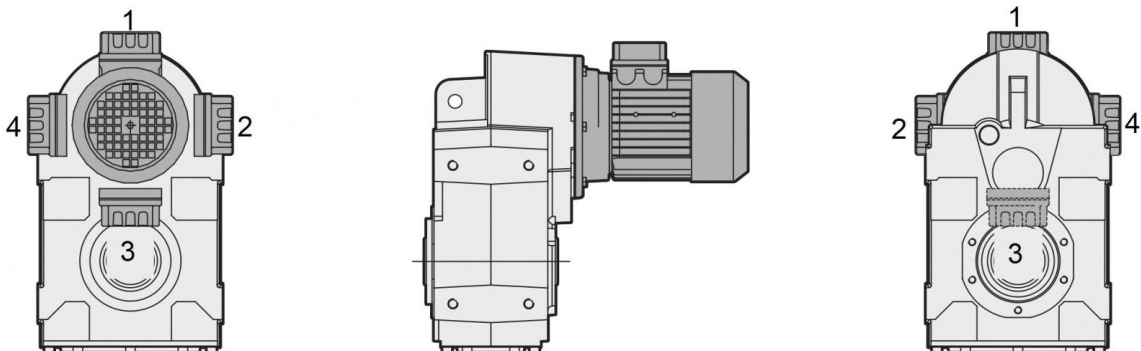
### 2.3.1 Mounting positions

The mounting position of the gear unit identifies its space orientation. B3 mounting position, as from a technical point of view, ensures lower oil splash, better lubrication and less heating.



### 2.3.2 Position of terminal box

Unless otherwise specified when ordering, the gear reducer is supplied with terminal box in position 1.



### 2.4.1 Critical applications

S	050	060	080	100	125	140	150
V6	B	B	B	B	B	B	B
n1 > 1800	B	B	B	B	B	A	A
...L : V5 - V6	B	B	B	B	B	B	B
(*) ...L	B	B	B	B	B	B	B

✓ Verified application

A Application not recommended

B Check the application and/or call MOTOVARIO TECHNICAL SERVICE.

(\*) The shrink disc is designed only to transmit the output torque.

In case of mounting position with radial and/or axial loads, please contact MOTOVARIO TECHNICAL SERVICE.

### 2.4.2 Information

The performance given in the catalogue correspond to mounting position B3 or similar, when the first stage is not entirely immersed in oil. For other mounting positions and/or particular input speeds, refer to the tables that highlight different critical situations for each size of gear reducer. It is also necessary to take due consideration of and carefully assess the following applications by calling MOTOVARIO TECHNICAL SERVICE:

- To avoid the use as multiplier.
- Use in services that could be hazardous for people if the gear reducer fails.
- Applications with especially high inertia.
- Use as a lifting winch.
- Applications with high dynamic strain on the case of the gear reducer.
- In places with  $T_{amb}$  under  $-5^{\circ}\text{C}$  or over  $40^{\circ}\text{C}$ .
- Use in chemically aggressive environments.
- Use in a salty environment.
- Mounting positions not envisaged in the catalogue.
- Use in radioactive environments.
- Use in environments pressures other than atmospheric pressure.

Avoid applications where even partial immersion of the reducer is required.

In the presence of overloading due to full load, braking, shocks or other static and dynamic causes, please verify that the peak torque is less than  $2 \cdot M_{n2}$ .

## 2.5 MOTOR FLANGE AVAILABILITY

**B11** = Compact electric motor versions.

These tables report all possible dimensions. Please verify service factor.

\*For motor size 063 the PS version does not exist.

#Ratio not existent for version IS.



NOTE Atex geared motors (versions with compact electric motor B11): available for 3G/3D certification, only.

CS - S - PS 052				
i	071	080	090	100-112
8,63	B5-B11	B5-B11	B5-B11	B5-B11
11,14	B5-B11	B5-B11	B5-B11	B5-B11
12,00	B5-B11	B5-B11	B5-B11	B5-B11
13,66	B5-B11	B5-B11	B5-B11	B5-B11
15,27	B5-B11	B5-B11	B5-B11	B5-B11
16,29	B5-B11	B5-B11	B5-B11	B5-B11
18,63	B5-B11	B5-B11	B5-B11	B5-B11
19,73	B5-B11	B5-B11	B5-B11	B5-B11
21,04	B5-B11	B5-B11	B5-B11	B5-B11
21,53	B5-B11	B5-B11	B5-B11	B5-B11
24,07	B5-B11	B5-B11	B5-B11	B5-B11
25,20	B5-B11	B5-B11	B5-B11	B5-B11
25,79	B5-B11	B5-B11	B5-B11	B5-B11
27,81	B5-B11	B5-B11	B5-B11	B5-B11
30,00	B5-B11	B5-B11	B5-B11	
32,55	B5-B11	B5-B11	B5-B11	B5-B11
33,00	B5-B11	B5-B11	B5-B11	
34,09	B5-B11	B5-B11	B5-B11	B5-B11
36,55	B5-B11	B5-B11	B5-B11	
38,75	B5-B11	B5-B11	B5-B11	
39,90	B5-B11	B5-B11	B5-B11	B5-B11
42,63	B5-B11	B5-B11	B5-B11	
46,00	B5-B11	B5-B11	B5-B11	
47,20	B5-B11	B5-B11	B5-B11	
52,25	B5-B11	B5-B11	B5-B11	
57,86	B5-B11	B5-B11	B5-B11	
59,42	B5-B11	B5-B11	B5-B11	
72,83	B5-B11	B5-B11	B5-B11	

CS - S - PS 053				
i	*063	071	080	090
36,50	B5-B11	B5-B11	B5-B11	B5-B11
47,14	B5-B11	B5-B11	B5-B11	B5-B11
57,79	B5-B11	B5-B11	B5-B11	B5-B11
63,74	B5-B11	B5-B11	B5-B11	B5-B11
78,14	B5-B11	B5-B11	B5-B11	B5-B11
74,20	B5-B11	B5-B11	B5-B11	B5-B11
95,84	B5-B11	B5-B11	B5-B11	B5-B11
117,48	B5-B11	B5-B11	B5-B11	B5-B11
137,45	B5-B11	B5-B11	B5-B11	B5-B11
177,55	B5-B11	B5-B11	B5-B11	B5-B11
198,45	B5-B11	B5-B11	B5-B11	
217,64	B5-B11	B5-B11	B5-B11	B5-B11
256,33	B5-B11	B5-B11	B5-B11	
314,21	B5-B11	B5-B11	B5-B11	

## 2.5 MOTOR FLANGE AVAILABILITY

CS - S - PS 062				
i	071	080	090	100-112
8,00		B5-B11	B5-B11	B5-B11
8,92		B5-B11	B5-B11	B5-B11
9,55		B5-B11	B5-B11	B5-B11
10,65		B5-B11	B5-B11	B5-B11
11,71		B5-B11	B5-B11	B5-B11
13,06		B5-B11	B5-B11	B5-B11
13,36		B5-B11	B5-B11	B5-B11
15,94		B5-B11	B5-B11	B5-B11
16,16		B5-B11	B5-B11	B5-B11
19,29		B5-B11	B5-B11	B5-B11
19,55		B5-B11	B5-B11	B5-B11
23,18	B5-B11	B5-B11	B5-B11	B5-B11
23,75	B5-B11	B5-B11	B5-B11	B5-B11
25,14	B5-B11	B5-B11	B5-B11	B5-B11
27,66	B5-B11	B5-B11	B5-B11	B5-B11
30,00	B5-B11	B5-B11	B5-B11	B5-B11
33,93	B5-B11	B5-B11	B5-B11	B5-B11
36,57	B5-B11	B5-B11	B5-B11	B5-B11
39,38	B5-B11	B5-B11	B5-B11	B5-B11
43,64	B5-B11	B5-B11	B5-B11	B5-B11
46,10	B5-B11	B5-B11	B5-B11	
48,30	B5-B11	B5-B11	B5-B11	B5-B11
53,53	B5-B11	B5-B11	B5-B11	B5-B11
55,00	B5-B11	B5-B11	B5-B11	
67,47	B5-B11	B5-B11	B5-B11	

CS - S - PS 063			
i	071	080	090
33,57	B5-B11	B5-B11	B5-B11
37,77	B5-B11	B5-B11	B5-B11
40,05	B5-B11	B5-B11	B5-B11
49,13	B5-B11	B5-B11	B5-B11
55,29	B5-B11	B5-B11	B5-B11
58,72	B5-B11	B5-B11	B5-B11
65,85	B5-B11	B5-B11	B5-B11
68,25	B5-B11	B5-B11	B5-B11
73,63	B5-B11	B5-B11	B5-B11
81,43	B5-B11	B5-B11	B5-B11
99,89	B5-B11	B5-B11	B5-B11
126,43	B5-B11	B5-B11	B5-B11
150,85	B5-B11	B5-B11	B5-B11
182,53	B5-B11	B5-B11	B5-B11
185,05	B5-B11	B5-B11	B5-B11
217,79	B5-B11		
267,16	B5-B11		

CS - S - PS 082				
i	080	090	100-112	132
7,34	B5-B11	B5-B11	B5-B11	B5-B11
8,06	B5-B11	B5-B11	B5-B11	B5-B11
9,94	B5-B11	B5-B11	B5-B11	B5-B11
11,61	B5-B11	B5-B11	B5-B11	B5-B11
12,75	B5-B11	B5-B11	B5-B11	B5-B11
14,04	B5-B11	B5-B11	B5-B11	B5-B11
15,43	B5-B11	B5-B11	B5-B11	B5-B11
15,73	B5-B11	B5-B11	B5-B11	B5-B11
17,29	B5-B11	B5-B11	B5-B11	B5-B11
19,03	B5-B11	B5-B11	B5-B11	B5-B11
20,14	B5-B11	B5-B11	B5-B11	B5-B11
22,13	B5-B11	B5-B11	B5-B11	B5-B11
24,00	B5-B11	B5-B11	B5-B11	B5-B11
26,05	B5-B11	B5-B11	B5-B11	B5-B11
27,29	B5-B11	B5-B11	B5-B11	B5-B11
28,67	B5-B11	B5-B11	B5-B11	B5-B11
29,60	B5-B11	B5-B11	B5-B11	B5-B11
31,78	B5-B11	B5-B11	B5-B11	B5-B11
34,91	B5-B11	B5-B11	B5-B11	B5-B11
35,50	B5-B11	B5-B11	B5-B11	
40,05	B5-B11	B5-B11	B5-B11	B5-B11
43,05	B5-B11	B5-B11	B5-B11	B5-B11
50,25	B5-B11	B5-B11	B5-B11	
54,27	B5-B11	B5-B11	B5-B11	
61,98	B5-B11	B5-B11	B5-B11	

CS - S - PS 083				
i	071	080	090	100-112
67,52		B5-B11	B5-B11	B5-B11
74,18		B5-B11	B5-B11	B5-B11
81,71		B5-B11	B5-B11	B5-B11
91,49		B5-B11	B5-B11	B5-B11
100,62		B5-B11	B5-B11	B5-B11
117,17	B5-B11	B5-B11	B5-B11	
128,73	B5-B11	B5-B11	B5-B11	
136,34	B5-B11	B5-B11	B5-B11	B5-B11
158,76	B5-B11	B5-B11	B5-B11	
184,88	B5-B11	B5-B11	B5-B11	
203,11	B5-B11	B5-B11	B5-B11	
205,34	B5-B11	B5-B11	B5-B11	B5-B11
226,04	B5-B11	B5-B11	B5-B11	B5-B11
250,50	B5-B11	B5-B11	B5-B11	
266,13	B5-B11	B5-B11	B5-B11	
292,36	B5-B11	B5-B11	B5-B11	
315,73	B5-B11	B5-B11	B5-B11	
360,58	B5-B11	B5-B11	B5-B11	



## 2.5 MOTOR FLANGE AVAILABILITY

CS - S - PS 102					
i	080	090	100-112	132	160
8,06	B5-B11	B5-B11	B5-B11	B5-B11	B5
8,85	B5-B11	B5-B11	B5-B11	B5-B11	B5
10,88	B5-B11	B5-B11	B5-B11	B5-B11	B5
12,75	B5-B11	B5-B11	B5-B11	B5-B11	B5
13,99	B5-B11	B5-B11	B5-B11	B5-B11	B5
15,43	B5-B11	B5-B11	B5-B11	B5-B11	
17,21	B5-B11	B5-B11	B5-B11	B5-B11	B5
19,00	B5-B11	B5-B11	B5-B11	B5-B11	
20,83	B5-B11	B5-B11	B5-B11	B5-B11	
22,13	B5-B11	B5-B11	B5-B11	B5-B11	
24,28	B5-B11	B5-B11	B5-B11	B5-B11	
26,33	B5-B11	B5-B11	B5-B11	B5-B11	
29,87	B5-B11	B5-B11	B5-B11	B5-B11	
32,40	B5-B11	B5-B11	B5-B11	B5-B11	
34,91	B5-B11	B5-B11	B5-B11	B5-B11	
38,30	B5-B11	B5-B11	B5-B11	B5-B11	
42,53	B5-B11	B5-B11	B5-B11	B5-B11	
44,00	B5-B11	B5-B11	B5-B11		
47,13	B5-B11	B5-B11	B5-B11	B5-B11	
50,25	B5-B11	B5-B11	B5-B11		
55,14	B5-B11	B5-B11	B5-B11		
59,40	B5-B11	B5-B11	B5-B11		
67,84	B5-B11	B5-B11	B5-B11		

CS - S - PS 103				
i	071	080	090	100-112
74,18		B5-B11	B5-B11	B5-B11
81,39		B5-B11	B5-B11	B5-B11
89,77		B5-B11	B5-B11	B5-B11
100,15		B5-B11	B5-B11	B5-B11
110,55	B5-B11	B5-B11	B5-B11	B5-B11
121,29	B5-B11	B5-B11	B5-B11	B5-B11
128,73	B5-B11	B5-B11	B5-B11	B5-B11
141,24	B5-B11	B5-B11	B5-B11	B5-B11
173,78	B5-B11	B5-B11	B5-B11	B5-B11
188,51	B5-B11	B5-B11	B5-B11	B5-B11
203,11	B5-B11	B5-B11	B5-B11	B5-B11
222,85	B5-B11	B5-B11	B5-B11	B5-B11
224,76	B5-B11	B5-B11	B5-B11	B5-B11
274,20	B5-B11	B5-B11	B5-B11	B5-B11
280,89	B5-B11	B5-B11	B5-B11	
292,36	B5-B11	B5-B11	B5-B11	
320,79	B5-B11	B5-B11	B5-B11	
345,60	B5-B11	B5-B11	B5-B11	
394,69	B5-B11	B5-B11	B5-B11	

CS - S - PS 122							
i	080	090	100-112	132	160	180	200
8,48					B5	B5	B5
9,30					B5	B5	B5
10,24					B5	B5	B5
11,42					B5	B5	B5
12,63					B5	B5	B5
13,84					B5	B5	B5
16,99					B5	B5	B5
21,25			B5-B11	B5-B11	B5	B5	
22,37			B5-B11	B5-B11	B5	B5	
23,29			B5-B11	B5-B11	B5	B5	
26,15			B5-B11	B5-B11	B5	B5	
28,60			B5-B11	B5-B11	B5	B5	
30,51			B5-B11	B5-B11	B5	B5	
32,76			B5-B11	B5-B11	B5	B5	
33,44			B5-B11	B5-B11	B5	B5	
35,20			B5-B11	B5-B11	B5	B5	
41,07			B5-B11	B5-B11	B5	B5	
43,60	B5-B11	B5-B11	B5-B11	B5-B11			
44,63	B5-B11	B5-B11	B5-B11	B5-B11			
49,04	B5-B11	B5-B11	B5-B11	B5-B11			
53,75	B5-B11	B5-B11	B5-B11	B5-B11			
66,00	B5-B11	B5-B11	B5-B11	B5-B11			

CS - S - PS 123				
i	080	090	100-112	132
64,84			B5-B11	B5-B11
71,07			B5-B11	B5-B11
78,46			B5-B11	B5-B11
87,27			B5-B11	B5-B11
105,91			B5-B11	B5-B11
112,52	B5-B11	B5-B11	B5-B11	B5-B11
123,33	B5-B11	B5-B11	B5-B11	B5-B11
130,04	B5-B11	B5-B11	B5-B11	B5-B11
133,78	B5-B11	B5-B11	B5-B11	B5-B11
151,43	B5-B11	B5-B11	B5-B11	B5-B11
177,53	B5-B11	B5-B11	B5-B11	B5-B11
194,59	B5-B11	B5-B11	B5-B11	B5-B11
215,60	B5-B11	B5-B11	B5-B11	B5-B11
238,93	B5-B11	B5-B11	B5-B11	B5-B11
# 255,54	B5-B11	B5-B11	B5-B11	
# 280,10	B5-B11	B5-B11	B5-B11	
# 301,16	B5-B11	B5-B11	B5-B11	
# 343,93	B5-B11	B5-B11	B5-B11	

## 2.5 MOTOR FLANGE AVAILABILITY

S142				
i	132	160	180	200
7.31	B5	B5	B5	B5
8.20	B5	B5	B5	B5
9.28	B5	B5	B5	B5
9.91	B5	B5	B5	B5
11.40	B5	B5	B5	B5
12.81	B5	B5	B5	B5
14.27	B5	B5	B5	B5
16.00	B5	B5	B5	B5
18.10	B5	B5	B5	B5
19.33	B5	B5	B5	B5
22.24	B5	B5	B5	B5
25.26	B5	B5	B5	
28.33	B5	B5	B5	
32.05	B5	B5	B5	
34.22	B5	B5	B5	
39.37	B5	B5		

S143			
i	100 - 112	132	160
45.76	B5	B5	B5
50.97	B5	B5	B5
57.17	B5	B5	B5
64.67	B5	B5	B5
69.05	B5	B5	B5
79.45	B5	B5	B5
98.80	B5	B5	
110.05	B5	B5	
123.43	B5	B5	
139.64	B5	B5	
149.09	B5	B5	
157.48	B5		
171.54	B5	B5	
175.40	B5		
196.73	B5		
222.56	B5		
237.62	B5		
273.41	B5		

S152				
i	160	180	200	225
12.46	B5	B5	B5	B5
13.90	B5	B5	B5	B5
15.96	B5	B5	B5	B5
17.52	B5	B5	B5	B5
19.90	B5	B5	B5	B5
22.88	B5	B5	B5	B5
27.10	B5	B5	B5	B5
29.75	B5	B5	B5	B5
33.79	B5	B5	B5	B5
38.84	B5	B5	B5	B5

S153			
i	132	160	180
40.10	B5	B5	B5
44.75	B5	B5	B5
51.37	B5	B5	B5
56.39	B5	B5	B5
64.05	B5	B5	B5
73.62	B5	B5	B5
87.16	B5	B5	
97.27	B5	B5	
111.66	B5	B5	
122.56	B5	B5	
139.20	B5	B5	
154.01	B5		
160.01	B5		
176.81	B5		
194.05	B5		
220.41	B5		
253.35	B5		

## 2.6 OUTPUT SHAFT BEARINGS

S	S050		S060		S080		S100	
Versions	Standard	On request	Standard	On request	Standard	On request	Standard	On request
C	1	/	1	2	1 (Ø40)	2 (Ø40)	1	2
D	1	/	1	/	2	/	2	/
L	1	/	1	/	1	/	1	/

S	S125		S140		S150	
Versions	Standard	On request	Standard	On request	Standard	On request
C	1	2	1	2	1	2
D	2	/	2	/	2	/
L	1	/	1	/	1	/

1 - Ball Bearing

2 - Roller bearings

/ - Not available

### 2.7.1 Information

The value of the admissible radial load [N] is given in the tables relating to the performance of the gear reducer at issue. It is related to the load applied on the centre line of the shaft and in the most unfavourable conditions of angle of application and direction of rotation. The maximum admissible axial loads are 1/5 of the value of the given radial load when they are applied in combination with the radial load. The tables relating to the output shafts give the maximum admissible value. This value must never be exceeded since it relates to the strength of the case. Particular conditions of radial load higher than the limits of the catalogue may occur. In this case, call our Technical Service and provide details on the application: direction of the load, direction of rotation of the shaft, type of service. In case of double extension shafts with radial load applied on both ends, the max. admissible radial loads must be defined according to the specific running conditions, in this case call our Technical Service. The radial load on the shaft is calculated with the following formula:

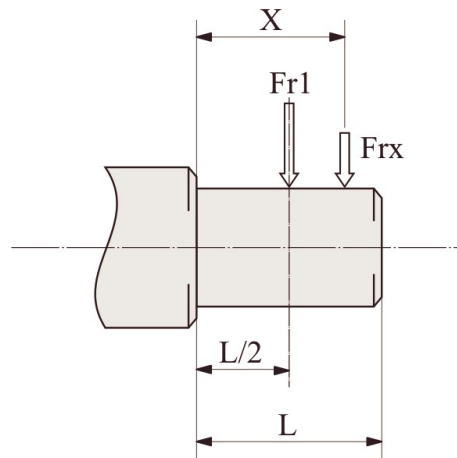
$$Fr_e = (2000 \cdot M \cdot fz) / D \leq Fr1 \text{ or } Fr2$$

- **Fr<sub>e</sub>** [N] Resulting radial load
- **M** [Nm] Torque on the shaft
- **D** [mm] Diameter of the transmission member mounted on the shaft
- **Fr1-Fr2** [N] Value of the maximum admitted radial load (see relative tables)
- **fz** = 1,1 gear pinion - 1,4 chain wheel - 1,7 v-pulley - 2,5 flat pulley

### 2.7.2 Input

When the radial load is not on the centre line of the shaft, it is necessary to adjust the admissible radial load Fr1 with the following formula:  $Fr_x = (Fr1 \cdot a) / (b + x)$

- **a**, **b** = values given in the tables
- **x** = distance from the point of application of the load to the shaft shoulder



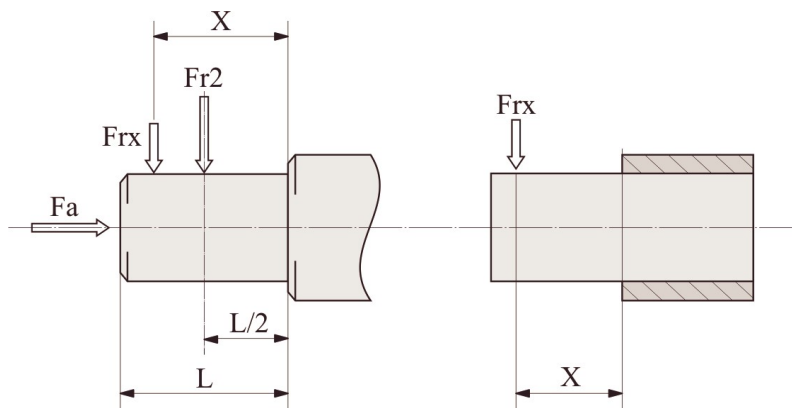
IS	052/053	062/063	082/083	102/103	122/123	142/143	152/153
<b>a</b>	105	105	137	137	175	146	190
<b>b</b>	80	80	108	108	135	106	135
<b>Fr1 max(**)</b>	1500	2500	3600	3600	7200	4200	5200

(\*\*Fr1 max) Max admissible value of the reducer in static conditions and/or for limited operations. For continuous overhung loads please check the values on the performances tables calculated according to the casing, the shaft and bearings.

## 2.7.3 Output

When the radial load is not on the centre line of the shaft, it is necessary to adjust the admissible radial load  $Fr_2$  with the following formula:  $Fr_x = (Fr_2 \cdot a) / (b + x)$

- $a$ ,  $b$  = values given in the tables
- $x$  = distance from the point of application of the load to the shaft shoulder



S	052/053	062/063	082/083	102/103	122/123	142/143	152/153
a	125	145	190	225	265	360,5	409,5
b	96	116	150	175	202	261	299
D ( $Fr_2$ max <sup>**</sup> )	6000	10000	18000	22000	30000	35000	40000
C ( $Fr_2$ max <sup>**</sup> )	6000	4000	7200	9000	11200	18500	19400

(\*\* $Fr_2$  max) Max admissible value of the reducer in static conditions and/or for limited operations. For continuous overhung loads please check the values on the performances tables calculated according to the casing, the shaft and bearings.

### 2.8.1 Information

In cases of ambient temperatures not envisaged in the table, call our Technical Service. In the case of temperatures under  $-30^{\circ}\text{C}$  or over  $60^{\circ}\text{C}$  it is necessary to use oil seals with special properties. For operating ranges with temperatures under  $0^{\circ}\text{C}$  it is necessary to consider the following:

1. The motors need to be suitable for operation at the envisaged ambient temperature.
2. The power of the electric motor needs to be adequate for exceeding the higher starting torques required.
3. In case of cast-iron gear reducers, pay attention to impact loads since cast iron may have problems of fragility at temperatures under  $-15^{\circ}\text{C}$ .
4. During the early stages of service, problems of lubrication may arise due to the high level of viscosity taken on by the oil and so it is wise to have a few minutes of rotation under no load.



#### For ATEX gear reducers:

- Change oil as specified in the "Maintenance" table of the relevant "Use and Installation Instructions" manual (supplied with products).
- The use of oils other than the original one is forbidden.

### 2.8.2 Lubricants

Specifications of lubricants recommended by Motovario.

All units are supplied with LAND OIL GEAR POWER 220 oil, unless otherwise specified by the client.

	S052/3 ÷ 152/3	
	Mineral oil	
T <sub>amb</sub> °C ISO	(-5) ÷ (+40) ISO VG220	(-15) ÷ (+25) ISO VG150
LAND OIL	GEAR POWER 220	-
ENI	BLASIA 220	BLASIA 150
SHELL	OMALA S2 G 220	OMALA S2 G 150
KLUBER	Kluberoil GEM 1-220N	Kluberoil GEM 1-150N
MOBIL	MOBILGEAR 600 XP220	MOBILGEAR 600 XP150
CASTROL	ALPHA SP 220	ALPHA SP 150
BP	ENERGOL GR-XP220	ENERGOL GR-XP150
PETRONAS	GEAR MEP 220	GEAR MEP 150

## 2.8.3 Special lubricants

	$T_{amb}^{\circ C}$	Polyglycol synthetic oil
ENI	(-30) ÷ (+30)	Blasia S 150 (ISO VG150)
	(-20) ÷ (+40)	Blasia S 220 (ISO VG220)
MOBIL	(-45) ÷ (+0)	SHC 624 (ISO VG32)
	(-40) ÷ (+5)	SHC 626 (ISO VG68)
KLUBER	(-40) ÷ (+5)	Klubersynth GH 6-32 (ISO VG32)
	(-35) ÷ 10)	Klubersynth GH 6-80 (ISO VG80)
	(-30) ÷ (+40)	Klubersynth GH 6-150 (ISO VG150)
	(-25) ÷ (+40)	Klubersynth GH 6-220 (ISO VG220)
	(-15) ÷ (+50)	Klubersynth GH 6-460 (ISO VG460)
	(-10) ÷ (+70)	Klubersynth GH 6-680 (ISO VG680)
	$T_{amb}^{\circ C}$	Polyglycol synthetic oil for food grade
KLUBER	(-30) ÷ (+15)	Klubersynth UH1-6 100 (ISO VG100)
	(-25) ÷ (+40)	Klubersynth UH1-6 220 (ISO VG220)
	(-15) ÷ (+40)	Klubersynth UH1-6 320 (ISO VG320)
	(-15) ÷ (+50)	Klubersynth UH1-6 460 (ISO VG460)
	(-10) ÷ (+50)	Klubersynth UH1-6 680 (ISO VG680)

If 'special' lubricant is required please contact MOTOVARIO TECHNICAL SERVICE.

### 2.8.4 Quantity

- For the gear reducers S ... series with 2, 3 stages it is always necessary to specify the envisaged position.
- The gear S... series with 2, 3 stages sizes 050, 060 gear reducers are supplied complete with lubricant, have no oil plugs and need no maintenance.
- The gear S... series with 2, 3 stages sizes 080, 100 gear reducers are supplied complete with lubricant and are fitted with oil plugs to suit any mounting position included in the catalogue
- The gear S... series with 2, 3 stages sizes 125, 140, 150 have no lubricant and are fitted with oil plugs to suit any mounting position included in the catalogue. The oil filling can be done on request, in this case it is recommended, after installation, to replace the closed plug used for transportation with the supplied breather plug. When the reduction unit is supplied without lubricant, it is provided with a label to be filled.

Oil quantity in the table (litres -) are indicative; for a proper use you will have to refer to the level plug or the dipstick. Any level difference could depend on construction tolerances, but also by the placement of the unit or by the mounting surface at the customer's premises. It is appropriate to check and, if necessary, restores the level when the units are installed.

S - CS	052/053	062/063	082/083	102/103	122/123	142	143	152	153
<b>B3</b>	2,05	2,4	6	9	14,7	22	20	29,7	27
<b>B8</b>	1,8	2,3	4	6	11,8	20	20	31	31
<b>B6</b>	2,4	2,9	5,7	8	16	22 (25)	18 (24,5)	29,3 (42)	24 (40)
<b>B7</b>	2,1	2,6	4,5	6,8	11,3	17,5	14	22,5	18
<b>V5</b>	2,8	3,5	6,8	10,3	19	24,5	23,5	34,4	33
<b>V6</b>	2,4	2,9	6,4	9,9	18	20,8	20	33,3	32

(...) 142-143-152-153 quantity of oil [l] for gearbox with backstop device

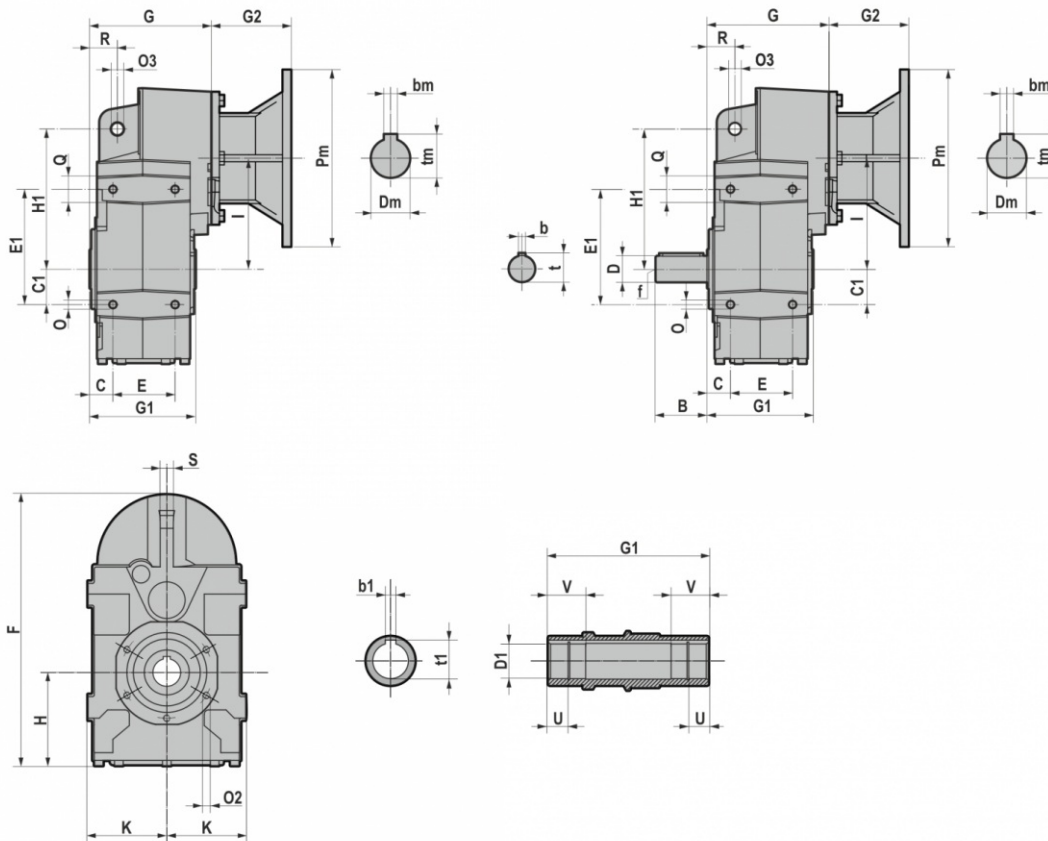


## 2.9 MOMENTS OF INERTIA

The following values of J1 moment of inertia are only estimated, referred to the maximum calculated, and to the gearbox input side.

S-2/3	J <sub>1</sub> [Kg*m <sup>2</sup> ]
052/053	0,0004
062/063	0,0006
082/083	0,0015
102/103	0,0034
122/123	0,0085
142/143	0,0384
152/153	0,0830

3.1.1 S 052...123



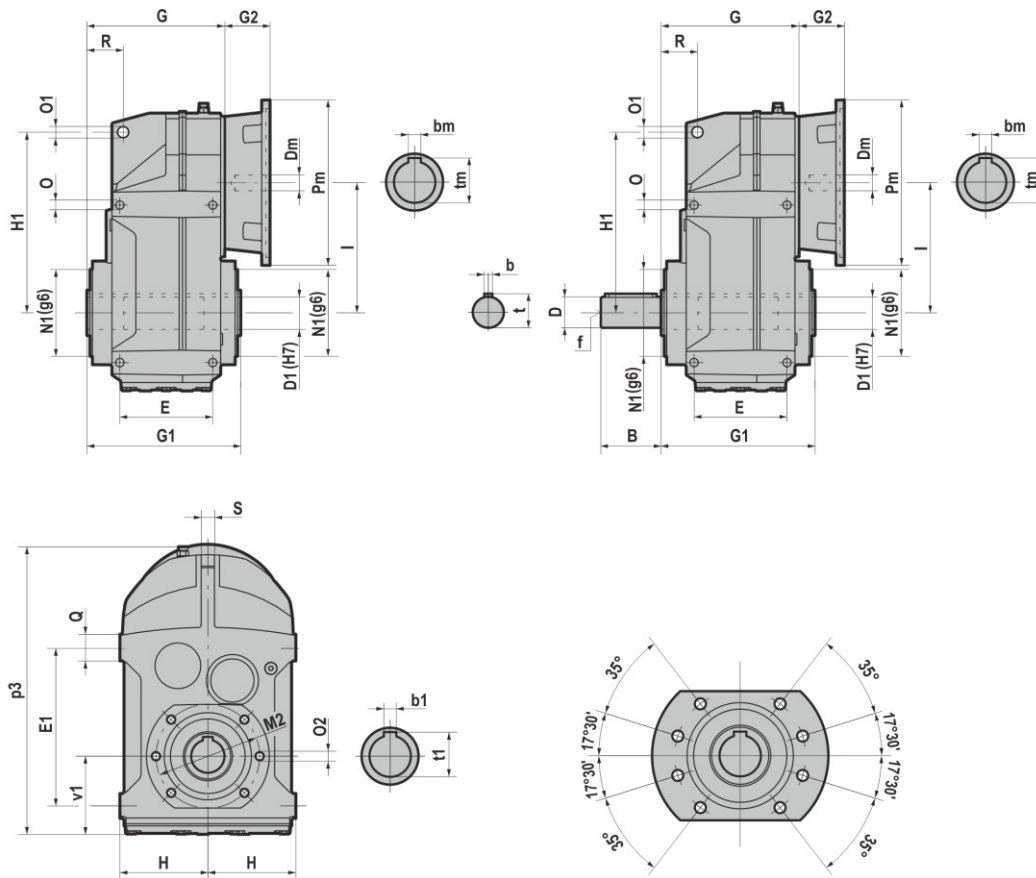
	D1 H7	b1	t1	U	V	B	D	b	t	f	C	C1	E	E1	F	G	G1	H	H1	I	K	O	O3	O2	Q	R	S
<b>S052/S053</b>	30	8	33	13,8	30	58	30 j6	8	33	M10	27	40	70	130	311	137,5	120	107	158	125	90,5	M10x18	14	M8x16 (n.5)	30	31,5	15
<b>S062/S063</b>	35	10	38	12	35	58	35 j6	10	38	M12	30	45	80	147	320	158,5	140	97	170	143	96,5	M12x20	14	M8x16 (n.5)	40	32	15
<b>S082/S083</b>	40	12	43	22,3	42	80	40 k6	12	43	M16	37	60	106	190	383	207	180	107	218	170	112,5	M12x20	14	M10x20 (n.7)	44	41	20
	45	14	(**) 47,6	22,3	42		50 k6	14	54	M16	37	70	137	275	427	217,5	210	119	278	180	130	M16x26	22	M12x22 (n.7)	50	50	20
<b>S102/S103</b>	45	14	49	22,3	50	100	50 k6	14	54	M16	37	70	137	275	427	217,5	210	119	278	180	130	M16x26	22	M12x22 (n.7)	50	50	20
	50	14	54	25	50		60 m6	18	64	M20	43	100	165	310	558	257	240	166	346	235	165	M16x30	22	M14x28 (n.7)	50	62	26
<b>S122/S123</b>	55	16	59,3	28	70	120	60 m6	18	64	M20	43	100	165	310	558	257	240	166	346	235	165	M16x30	22	M14x28 (n.7)	50	62	26
	60	18	64																								

IEC	Pm x Dm	G2				
		S052/S053	S062/S063	S082/S083	S102/S103	S122/S123
<b>063</b>	<b>140x11</b>	57	/	/	/	/
<b>071</b>	<b>160x14</b>	69	69	49	49	/
<b>080</b>	<b>200x19</b>	90	90	70	70	60,5
<b>090</b>	<b>200x24</b>	90	90	70	70	60,5
<b>100-112</b>	<b>250x28</b>	105	105	85	85	75,5
<b>132</b>	<b>300x38</b>	/	/	110	110	100,5
<b>160</b>	<b>350x42</b>	/	/	/	157,5	148
<b>180</b>	<b>350x48</b>	/	/	/	/	148
<b>200</b>	<b>400x55</b>	/	/	/	/	185

B5	Pm	Dm	bm	tm
<b>063</b>	140	11	4	12,8
<b>071</b>	160	14	5	16,3
<b>080</b>	200	19	6	21,8
<b>090</b>	200	24	8	27,3
<b>100</b>	250	28	8	31,3
<b>112</b>	250	28	8	31,3
<b>132</b>	300	38	10	41,3
<b>160</b>	350	42	12	45,3
<b>180</b>	350	48	14	51,8
<b>200</b>	400	55	16	59,3

(\*\*) Low profile key-way.

## 3.1.2 S 142...153

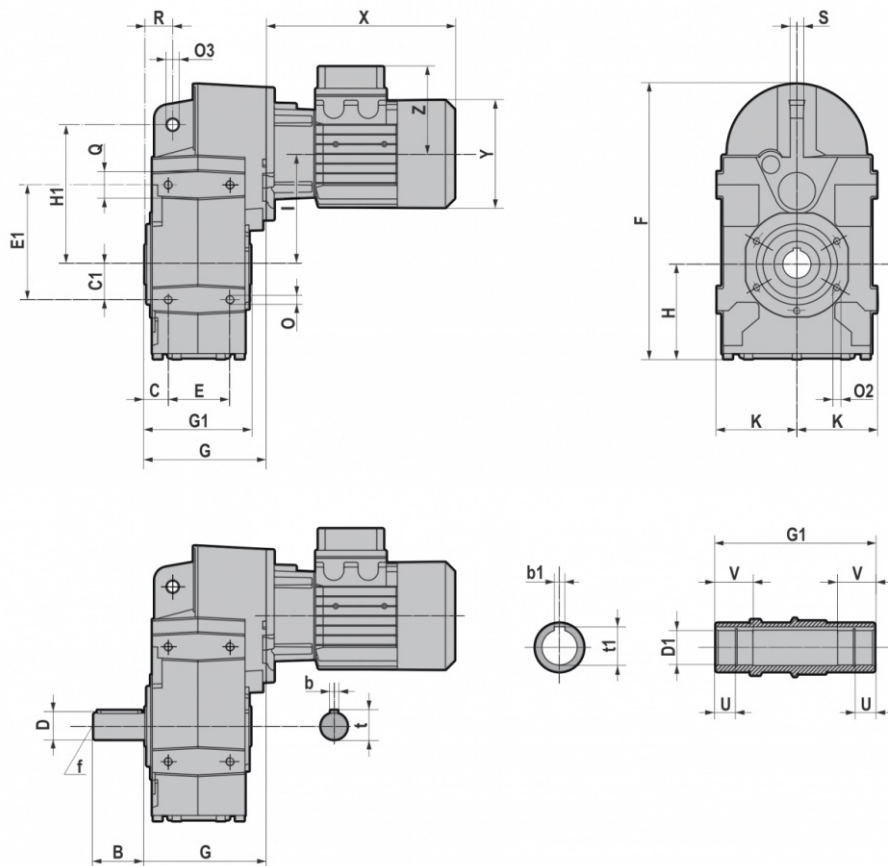


	D1	b1	t1	B	D	b	t	f	E	E1	G	G1	H	H1	I	N1	M2	O	O1	O2	p3	Q	R	S	v1
S142/S143	70	20	74,9	140	70	20	74,5	M20	205	350	282	300	200	395	269	180	220	M20x28	26	M16x26	615	50	70	30	177
	65	18	69,4																						
S152/S153	80	22	85,4	170	90	25	95	M20	220	400	321,5	350	225	485	325	210	260	M24x36	26	M20x30	730	60	88	36	213
	90	25	95,4																						

IEC	Pm x Dm	G2	
		S142/S143	S152/S153
100-112	250x28	73,5	/
132	300x38	84,0	87,5
160	350x42	119,5	112
180	350x48	119,5	112
200	400x55	119,5	113
225	450x60	/	144,5

B5	Pm	Dm	bm	tm
100	250	28	8	31,3
112	250	28	8	31,3
132	300	38	10	41,3
160	350	42	12	45,3
180	350	48	14	51,8
200	400	55	16	59,3
225	450	60	18	64,4

3.1.3 CS 052...123



	D1 H7	b1	t1	U	V	B	D	b	t	f	C	C1	E	E1
CS052/CS053	30	8	33	13,8	30	58	30 j6	8	33	M10	27	40	70	130
CS062/CS063	35	10	38	12	35	58	35 j6	10	38	M12	30	45	80	147
CS082/CS083	40	12	43	22,3	42	80	40 k6	12	43	M16	37	60	106	190
	45	14	(**) 47,6	22,3	42									
CS102/CS103	45	14	49	22,3	50	100	50 k6	14	54	M16	37	70	137	275
	50	14	54	25	50									
CS122/CS123	55	16	59,3	28	70	120	60 m6	18	64	M20	43	100	165	310
	60	18	64											

	F	G	G1	H	H1	I	K	O	O3	O2	Q	R	S
CS052/CS053	311	137,5	120	107	158	125	90,5	M10x18	14	M8x16 (n.5)	30	31,5	15
CS062/CS063	320	158,5	140	97	170	143	96,5	M12x20	14	M8x16 (n.5)	40	32	15
CS082/CS083	383	207	180	107	218	170	112,5	M12x20	14	M10x20 (n.7)	44	41	20
CS102/CS103	427	217,5	210	119	278	180	130	M16x26	22	M12x22 (n.7)	50	50	20
CS122/CS123	558	257	240	166	346	235	165	M16x30	22	M14x28 (n.7)	50	62	26

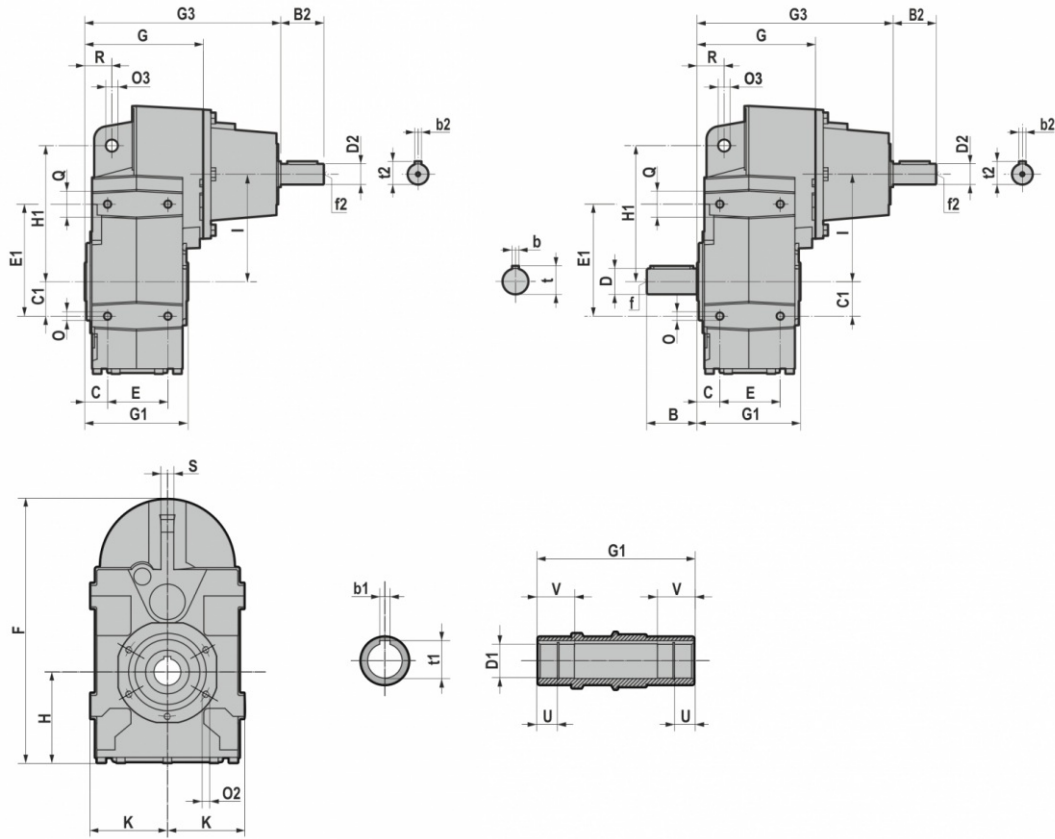
T (IE1 - IE2 - IE3)										
		063	071	080	090S	090L	100	112	132S	132M/L
CS052/CS053 CS062/CS063	X	215	241	268 *291	296 *329	321 *354	333	351 *375	/	/
	Y	121	139	158	173	173	191	211	/	/
	Z	104	112	122	130	130	139	154	/	/
CS082/CS083 CS102/CS103	X	/	221	248 *271	276 *309	301 *334	335	356 *380	405	443
	Y	/	139	158	173	173	191	211	249	249
	Z	/	112	122	130	130	139	154	194	194
CS122/CS123	X	/	/	/	267 *300	292 *325	326	347 *371	396	434
	Y	/	/	/	173	173	191	211	249	249
	Z	/	/	/	130	130	139	154	194	194

TB (IE1 - IE2 - IE3)										
		063	071	080	090S	090L	100	112	132S	132M/L
CS052/CS053 CS062/CS063	X	273	306,5	341 *364	373 *406	398 *431	415	448 *472	/	/
	Y	121	139	158	173	173	191	211	/	/
	Z	119	129	137	157	157	168	183	/	/
CS082/CS083 CS102/CS103	X	/	286,5	321 *344	353 *386	378 *411	417	453 *477	505	547
	Y	/	139	158	173	173	191	211	249	249
	Z	/	129	137	157	157	168	183	230	230
CS122/CS123	X	/	/	/	343 *376	368 *401	407	443 *467	495	537
	Y	/	/	/	173	173	191	211	249	249
	Z	/	/	/	157	157	168	183	230	230

\*TP80B4, SH80B4, HSH80B4, TP90S4, SH90S4, HSH90S4, TP90L4, SH90L4, HSH90L4, TP90S6, TP112M4, TP112M6

(\*\*) Low profile key-way.

3.1.4 IS 052...123



	D1 H7	b1	t1	U	V	B	D	b	t	f	C	C1	E	E1	F	G	G1	H	H1	I	K	O	O3	O2	Q	R	S
<b>ISO52/ISO53</b>	30	8	33	13,8	30	58	30 j6	8	33	M10	27	40	70	130	311	137,5	120	107	158	125	90,5	M10x18	14	M8x16 (n.5)	30	31,5	15
<b>ISO62/ISO63</b>	35	10	38	12	35	58	35 j6	10	38	M12	30	45	80	147	320	158,5	140	97	170	143	96,5	M12x20	14	M8x16 (n.5)	40	32	15
<b>ISO82/ISO83</b>	40	12	43	22,3	42	80	40 k6	12	43	M16	37	60	106	190	383	207	180	107	218	170	112,5	M12x20	14	M10x20 (n.7)	44	41	20
	45	14	(**) 47,6	22,3	42																						
<b>ISO102/ISO103</b>	45	14	49	22,3	50	100	50 k6	14	54	M16	37	70	137	275	427	217,5	210	119	278	180	130	M16x26	22	M12x22 (n.7)	50	50	20
	50	14	54	25	50																						
<b>ISO122/ISO123</b>	55	16	59,3	28	70	120	60 m6	18	64	M20	43	100	165	310	558	257	240	166	346	235	165	M16x30	22	M14x28 (n.7)	50	62	26
	60	18	64																								

	G3	B2	D2	b2	t2	f2
<b>ISO52/ISO53</b>	227,5	50	24 j6	8	27	M8
<b>ISO62/ISO63</b>	248,5	50	24 j6	8	27	M8
<b>ISO82/ISO83</b>	320	60	28 j6	8	31	M10
<b>ISO102/ISO103</b>	330,5	60	28 j6	8	31	M10
<b>ISO122/ISO123</b>	383,5	80	38 k6	10	41	M12

(\*\*) Low profile key-way.



## 3.2 WEIGHTS

The values reported in the tables are referred to the weight of the gearbox with lubricant (S140/S150 supplied without lubricant) included.

\*Weight without motor.

* S-PS	063	071	080-090	100-112	132	160	180	200	225	
052-053	16	16,4	17	21,2	/	/	/	/	/	- kg
062-063	/	19,9	20,6	24,9	/	/	/	/	/	
082-083	/	32,9	35	37	39,7	/	/	/	/	
102-103	/	44	46	48	50,7	57,4	57,4	/	/	
122-123	/	/	82	84,2	87	93	93	108	/	
142	/	/	/	/	172	180	180	183	/	
143	/	/	/	175	183	190	/	/	/	
152	/	/	/	/	/	255	255	258	264	
153	/	/	/	/	250	270	270	/	/	

IS	- kg
052-053	19,2
062-063	22,7
082-083	39
102-103	50
122-123	91,8
142	155
143	165
152	220
153	240

CS	TH			- kg
	63	71	80	
052-053	20,18	21,476	26,8	- kg
062-063	/	24,976	30,4	
082-083	/	37,576	43,3	
102-103	/	48,576	54,3	

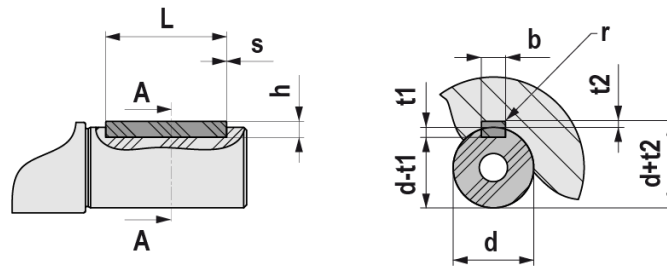
CS	TBH			- kg
	63	71	80	
052-053	21,7	23,7	30,3	- kg
062-063	/	27,3	33,9	
082-083	/	39,8	46,7	
102-103	/	50,8	57,7	

CS	TP							- kg
	80	090S	090L	100	112	132S	132M	
052-053	28,4	34,8	36,4	41,8	62,2	/	/	- kg
062-063	32	38,4	40	45,4	65,8	/	/	
082-083	44,9	49,8	50,9	55,9	76,2	95,3	99,6	
102-103	55,9	60,8	61,9	66,9	87,2	106,3	110,6	
122-123	/	96,8	97,4	103,3	122,2	142,3	144	

CS	TBP							- kg
	80	090S	090L	100	112	132S	132M	
052-053	31,9	40,3	41,9	48,7	74,6	/	/	- kg
062-063	35,5	43,9	45,5	52,3	78,2	/	/	
082-083	48,3	55,3	56,4	62,7	88,6	109,3	113,6	
102-103	59,3	66,3	67,4	73,7	99,6	120,3	124,6	
122-123	/	102,3	102,9	107	134,6	156,3	158	

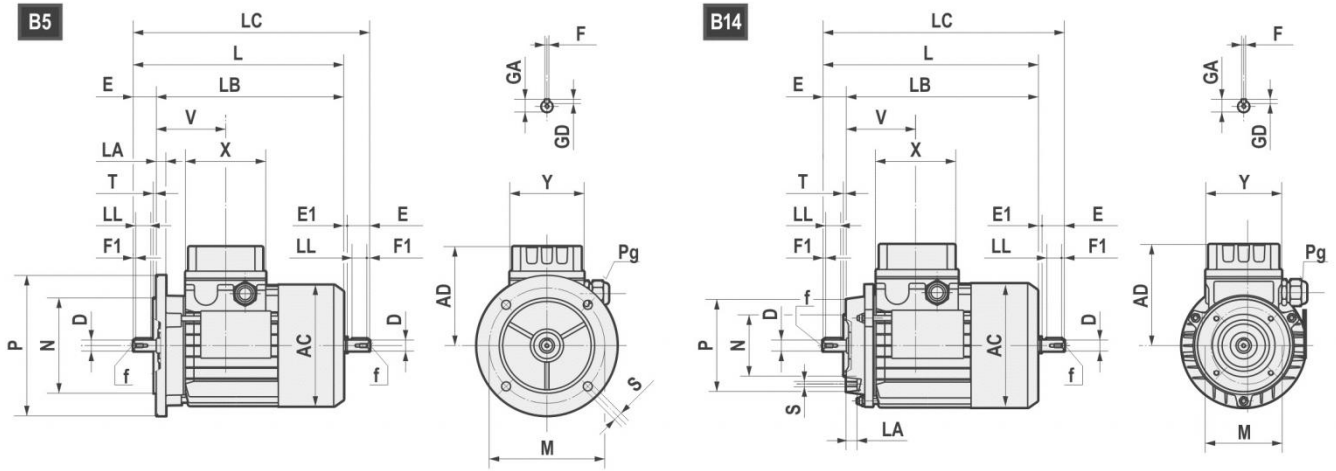


### 3.3 SHAFT END



UNI 6604 - DIN 6885														
d		b x h			Tol. b/h	L		s min / max	b	t1	t2	Tol. t1/t2	r max	
	6	8	2	x	2	h9 / h9	6	20	0,16 0,25	2	1,2	0,1 0	0,08 0,16	
>	8	10	3	x	3		6	36		3	1,8			1,4
>	10	12	4	x	4		8	45		4	2,5			1,8
>	12	17	5	x	5		10	56	5	3	2,3	0,16 0,25		
>	17	22	6	x	6		14	70	6	3	2,8			
>	22	30	8	x	7	h9 / h11	18	90	0,25 0,4	8	4	3,3	0,25 0,4	
>	30	38	10	x	8		22	110		10	5	3,3		
>	38	44	12	x	8		28	140		12	5	3,3		
>	44	50	14	x	9		36	160	14	5,5	3,8	0,2 0		
>	50	58	16	x	10		45	180	16	6	4,3			
>	58	65	18	x	11		50	200	18	7	4,4			
>	65	75	20	x	12		56	110	20	7,5	4,9	0,4 0,6		
>	75	85	22	x	14		63	140	22	9	5,4			
>	85	95	25	x	14		70	160	25	9	5,4			
>	95	110	28	x	16		80	180	28	10	6,4			
>	110	130	32	x	18		90	200	32	11	7,4			
>	130	150	36	x	20		100	160	36	12	8,4	0,3 0	0,7 1	
>	150	170	40	x	22		110	180	40	13	9,4			
>	170	200	45	x	25		125	200	45	14	10,4			

3.4.1 Electric motors



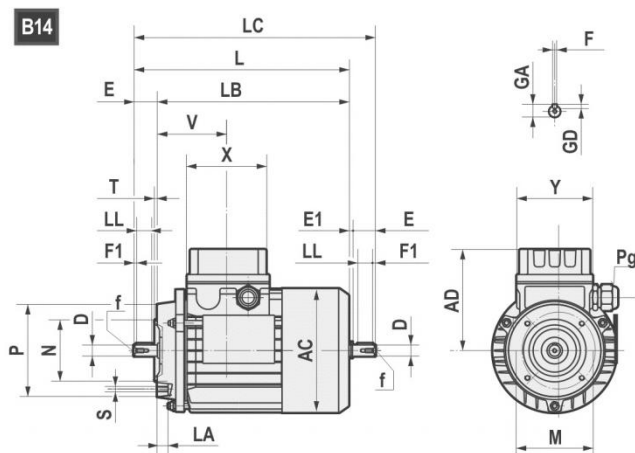
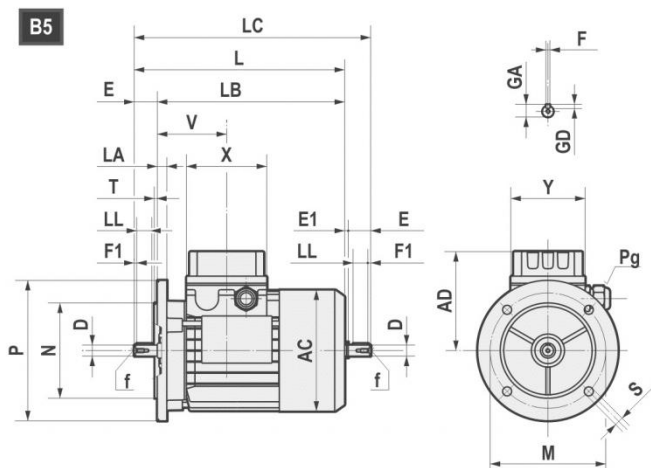
	AC	AD	L	LB	LC	X	Y	V	D	E	E1	f	F1	GA	F	GD
<b>63</b>	121	104	211	188	235,5	80	74	69	11 j6	23	1,5	M4x10	2,5	12,5	4	4
<b>71</b>	139	112	238,5	208,5	271	80	74	74,5	14 j6	30	2,5	M5x12,5	3	16	5	5
<b>80</b>	158	122	272,5 *(296)	232,5 *(256)	314 *(337)	80	74	78	19 j6	40	1,5	M6x16	5	21,5	6	6
<b>90S</b>	173	148	298 *(331)	248 *(281)	349,5 *(381)	98	98	89,5	24 j6	50	1,5	M8x19	5	27	8	7
<b>90L</b>	173	148	323 *(356)	273 *(306)	374,5 *(408)	98	98	89,5	24 j6	50	1,5	M8x19	5	27	8	7
<b>100</b>	191	156	368	308	431,5	98	98	97,5	28 j6	60	3,5	M10x22	7,5	31	8	7
<b>112</b>	211	171	382,5 *(408)	322,5 *(348)	447 *(472)	98	98	100	28 j6	60	3,5	M10x22	7,5	31	8	7
<b>132S</b>	249	195	452	372	536,5	118	118	115,5	38 k6	80	4	M12x28	10	41	10	8
<b>132L</b>	249	195	490	410	574,5	118	118	115,5	38 k6	80	4	M12x28	10	41	10	8
<b>160S</b>	249	195	520	410	/	118	118	115,5	42k6	100	/	M16x36	10	45	12	8

\*TP80B4, SH80B4, HSH80B4, TP90S4, SH90S4, HSH90S4, TP90L4, SH90L4, HSH90L4, TP90S6, TP112M4, TP112M6

B5	M	N	P	LA	S	T
<b>63</b>	115	95	140	10	9	3
<b>71</b>	130	110	160	10	9,5	3,5
<b>80</b>	165	130	200	12	11	3,5
<b>90</b>	165	130	200	12	11	3,5
<b>100</b>	215	180	250	15	14	4
<b>112</b>	215	180	250	14,5	14	4
<b>132</b>	265	230	300	20	14	3,5
<b>160</b>	300	250	350	13	18,5	3,5

B14	M	N	P	LA	S	T
<b>63</b>	75	60	90	10	M5	2,5
<b>71</b>	85	70	105	10,5	M6	2,5
<b>80</b>	100	80	120	10,5	M6	3
<b>90</b>	115	95	140	11,5	M8	3
<b>100</b>	130	110	160	15	M8	3,5
<b>112</b>	130	110	160	11,5	M8	3,5
<b>132</b>	165	130	200	20,5	M10	3,5
<b>160</b>	215	180	250	-	M12	4

### 3.4 ELECTRIC MOTORS



		AC	AD	L	LB	X	D	E	f	GA	F	GD	LL	Pg	
<b>160M</b>	4-6	314	251	600	490	158	42	110	M16	45	12	8	90	2-M40x1,5	1-M16x1,5
<b>160L</b>	4-6	314	251	645	535	158	42	110	M16	45	12	8	90	2-M40x1,5	1-M16x1,5
<b>180M</b>	4	355	267	680	570	158	48	110	M16	51,5	14	9	100	2-M40x1,5	1-M16x1,5
<b>180L</b>	6	355	267	720	610	158	48	110	M16	51,5	14	9	100	2-M40x1,5	1-M16x1,5
<b>200L</b>	4-6	397	300	785	675	187	55	110	M20	59	16	10	100	2-M50x1,5	1-M16x1,5
<b>225S</b>	4	446	325	820	680	187	60	140	M20	64	18	11	125	2-M50x1,5	1-M16x1,5
<b>225M</b>	4-6	446	325	845	705	187	60	140	M20	64	18	11	125	2-M50x1,5	1-M16x1,5
<b>250M</b>	4-6	485	360	910	770	238	60	140	M20	64	18	11	125	2-M63x1,5	1-M16x1,5
<b>250M</b>	4-6	485	360	910	770	238	65	140	M20	69	18	11	125	2-M63x1,5	1-M16x1,5
<b>280S</b>	4-6	547	390	970	830	238	65	140	M20	69	18	11	125	2-M63x1,5	1-M16x1,5
<b>280S</b>	4-6	547	390	970	830	238	75	140	M20	79,5	20	12	125	2-M63x1,5	1-M16x1,5
<b>280M</b>	4-6	547	390	1025	885	238	65	140	M20	69	18	11	125	2-M63x1,5	1-M16x1,5
<b>280M</b>	4-6	547	390	1025	885	238	75	140	M20	79,5	20	12	125	2-M63x1,5	1-M16x1,5

B5	M	N	P	LA	S	T
<b>160</b>	300	250	350	13	19	5
<b>180</b>	300	250	350	15	19	5
<b>200</b>	350	300	400	17	19	5
<b>225</b>	400	350	450	20	19	5
<b>250</b>	500	450	550	22	19	5
<b>280</b>	500	450	550	22	19	5

### 3.4.2 Standard high efficiency (TS), high (TH, SH, HSH) and premium (TP) motors

Motovario, three-phase, single polarity motors are available in three different versions (IE1-IE2-IE3) in compliance with standard 60034-30-1. The efficiency value is calculated according to the method set forth in standard IEC 60034-2-1.

1. IE1: TS series (standard efficiency) for nominal power less than 0.12 kW,;
2. IE2: TH series (high efficiency) for nominal power greater than or equal to 0.12 kW and less than 0.75 kW;
3. IE3: TP series (premium efficiency) (\*) 4 poles for nominal power greater than or equal to 0.12 kW, 2 and 6 poles for nominal power greater than or equal to 0.75 kW.

Motovario single-phase, single-polarity motors are available in IE2 efficiency class according to IEC 60034-30-1 for nominal power ratings higher than or equal to 0.12 kW and lower than or equal to 2.2 kW. The efficiency value is calculated according to the method set forth in standard IEC 60034-2-1.

Table of Motovario commercial availability

NOMINAL POWER [kW]	EFFICIENCY LEVEL		
	IE1	IE2	IE3
$P_n < 0,12$	TS-TBS	-	-
$0,12 \leq P_n < 0,75$	-	TH-TBH SH-HSH	TP-TBP (**)
$P_n \geq 0,75$	-	SH-HSH	TP-TBP

(\*) Motor TP100LA4 2,2 kW and all TP 6 poles motors are available at 60Hz only upon request. As a consequence, these motors are in IE3 efficiency level at 50 Hz and IE2 at 60 Hz in case of bifrequency electrical design (standard 230/400-265/460V 50-60Hz and optional 200/346-220/380V 50-60Hz, 290/500-330/575V 50-60Hz and 400/690-460/800V 50-60Hz, see chapter on input voltage and frequency).

(\*\*) Only 4 poles.

## 3.4.3 Nominal power - [kW]

	63A			63B		63C	63D	71A		71B		71C
P.	TS	TH	TP	TH	TP	TH	TH	TH	TP	TH	TP	TH
4	-	0,12	0,12	0,18	0,18	-	0,25	0,25	0,25	0,37	0,37	0,55
6	0,09	-	-	0,12	-	-	-	0,18	-	0,25	-	0,37

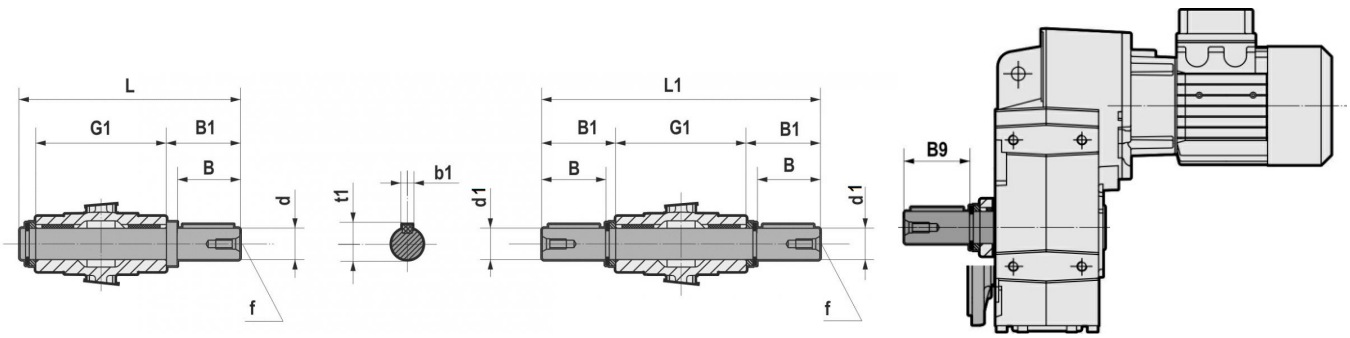
	80A		80B		90S	90L	100LR	100LA	100L	112MR	112MS	112M
P.	TH	TP	TH	TP	TP	TP	TP	TP	TP	TP	TP	TP
4	0,55	0,55	-	0,75	1,1	1,5	-	2,2	-	2,2	3	4
6	0,37	-	0,55	-	0,75	-	1,1	-	1,5	-	-	2,2

	132S	132MS	132MA	132MB	132M
P.	TP	TP	TP	TP	TP
4	-	5,5	-	-	7,5
6	3	-	4	5,5	-

	160M	160MA	160MB	160L	160LA	180M	180L
P.	TP	TP	TP	TP	TP	TP	TP
4	-	11	-	-	15	18,5	22
6	7,5	-	-	11	-	-	15

	200L	200LA	200LB	225S	225M	250M	280S	280M
P.	TP	TP	TP	TP	TP	TP	TP	TP
4	30	-	-	37	45	55	75	90
6	-	18,5	22	-	-	-	-	-

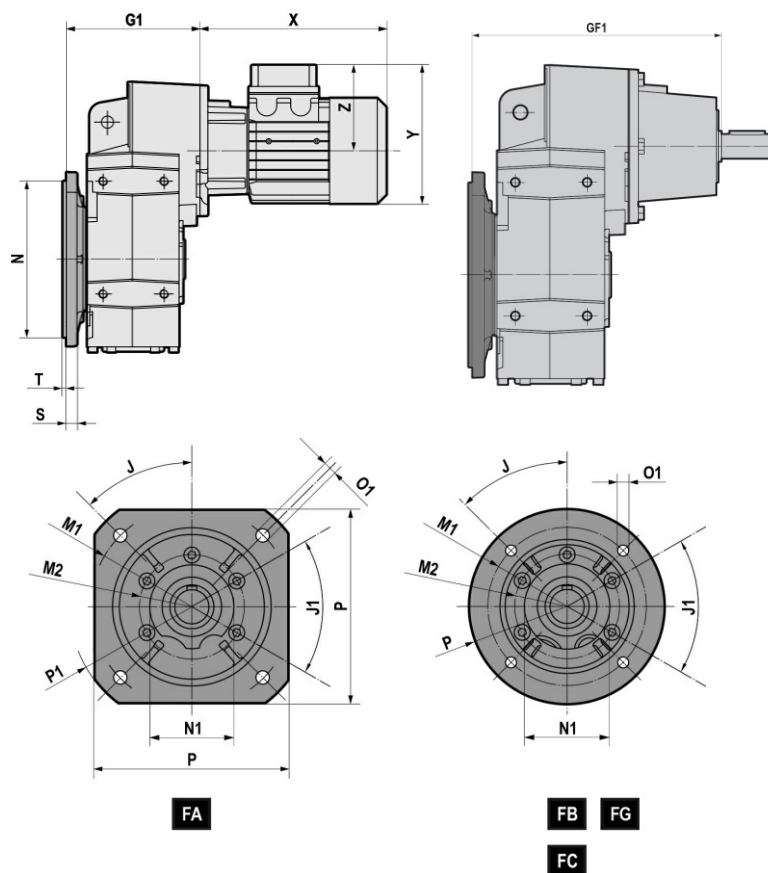
# 4.1 LOW SPEED SHAFTS



	d h6	B	B1	G1	L	f	b1	t1
S062/S063	35	58	62	140	210,5	M12	10	38
S082/S083	40	80	84,25	180	273	M16	12	43
S102/S103	50	100	105	210	325	M16	14	53,5
S122/S123	60	120	125	240	375	M20	18	64

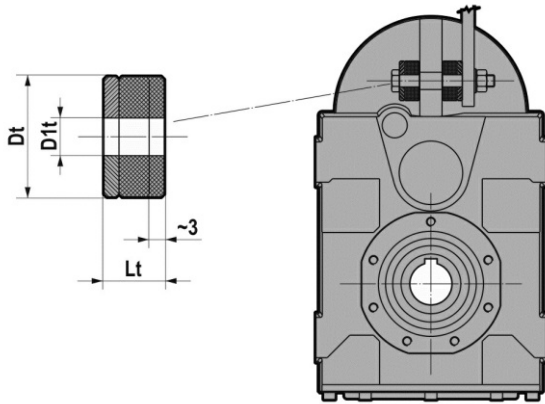
	d k5	d1 h6	B	B1	B9	L1	f	b1	t1
S142/S143	70	70	140	150	140	600	M20	20	74,5
	65	65							69
S152/S153	90	90	170	180	170	710	M24	25	95
	80	80							M20

## 4.2 OUTPUT FLANGE



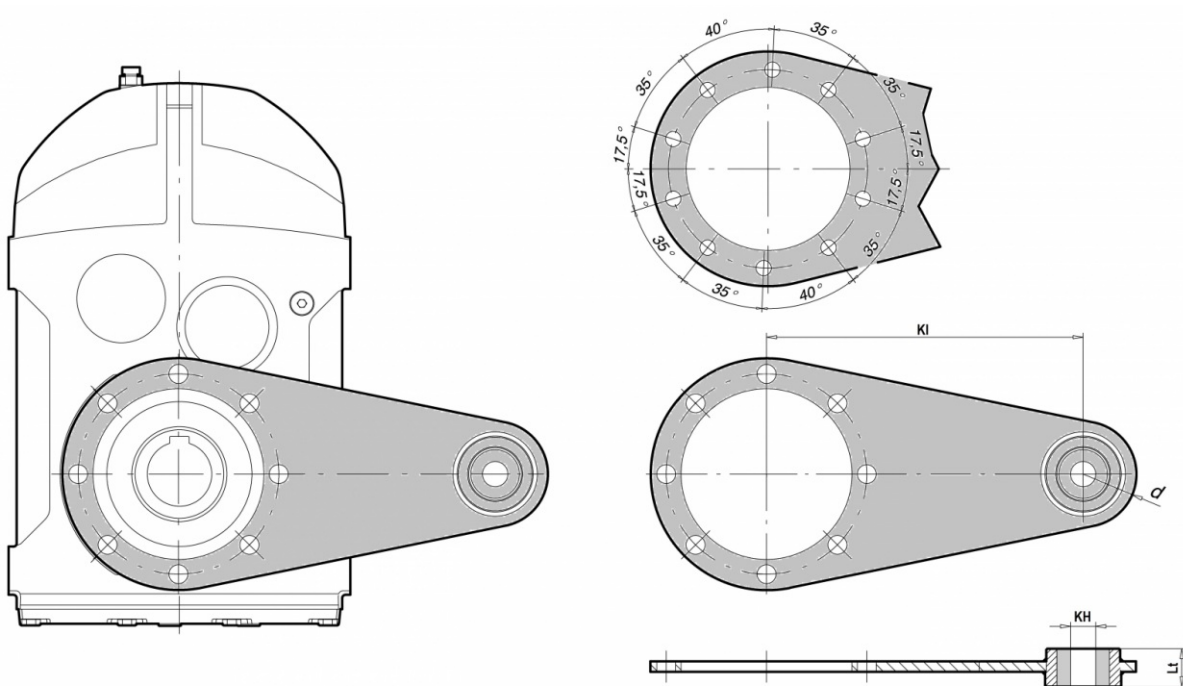
		J	J1	M1	M2	N f8	N1	O1	P	P1	S	T	G1	GF1
S052 S053	FA	45°	60°	215	105	180	90	14 (n.4)	200	250	12	4	153	243
	FB	45°	60°	165	105	130	90	11 (n.4)	200	/	12	3,5	153	243
S062 S063	FA	45°	60°	215	105	180	90	14 (n.4)	200	250	12	4	172,5	262,5
	FB	45°	60°	165	1050	130	90	11 (n.4)	200	/	12	3,5	172,5	262,5
S082 S083	FA	45°	45°	265	130	230	110	14 (n.4)	250	300	15	4	227	340
	FB	45°	45°	215	130	180	110	14 (n.4)	250	/	15	4	227	340
	FC	45°	45°	165	130	130	110	11 (n.4)	200	/	15	3,5	227	340
S102 S103	FA	45°	45°	300	165	250	130	18 (n.4)	300	350	16	5	247,5	360,5
	FB	45°	45°	265	165	230	130	14 (n.4)	300	/	16	4	247,5	360,5
	FC	45°	45°	215	165	180	130	14 (n.4)	250	/	16	4	247,5	360,5
S122 S123	FA	45°	45°	350	185	300	150	18 (n.4)	350	400	18	5	287	413,5
	FB	45°	45°	300	185	250	150	18 (n.4)	350	/	18	5	287	413,5
	FC	45°	45°	265	185	230	150	14 (n.4)	300	/	18	4	287	413,5
S142 S143	FG	22°30'	/	400	/	350 g6	/	18 (n.8)	450	/	20	5	338,5	426
S152 S153	FG	22°30'	/	400	/	350 g6	/	18 (n.8)	450	/	20	5	372,5	481

4.3.1 Reaction bolt



	Dt	D1t	Lt
S052/S053	40	12,5	20
S062/S063	40	12,5	20
S082/S083	40	12,5	20
S102/S103	60	21	30
S122/S123	60	21	30
S142/S143	60	25	38,8
S152/S153	60	25	35,5

4.3.2 Torque arm - S 142...153



	KI	KH	d	Lt
S142/S143	350	25	45	30
S152/S153	450	25	50	30



# 4.4 BACKSTOP DEVICE

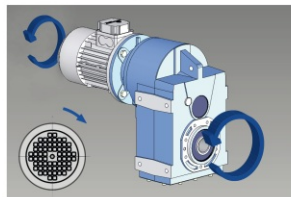
The gear reducer can be supplied with backstop device on input shaft. Backstop device allows output shaft rotation in only one sense of direction; according to the size, it is available in the input flange or in the motor with the same dimensions. It is important to specify the required sense of direction on the order. The backstop device is not available for mounting position V5 with motor size IEC 100...225.



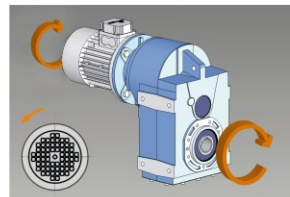
Certified accessory for ATEX 3G/3D, only.

### SENSE OF DIRECTION AVAILABLE

S... 2/C-D-L

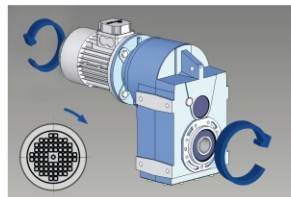


CLOCKWISE SENSE OF DIRECTION REFERRED TO HIGH SPEED SHAFT

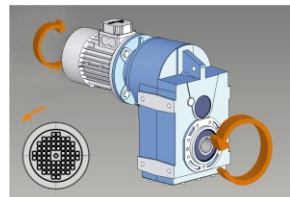


COUNTER CLOCKWISE SENSE OF DIRECTION REFERRED TO HIGH SPEED SHAFT

S... 3/C-D-L



CLOCKWISE SENSE OF DIRECTION REFERRED TO HIGH SPEED SHAFT



COUNTER CLOCKWISE SENSE OF DIRECTION REFERRED TO HIGH SPEED SHAFT

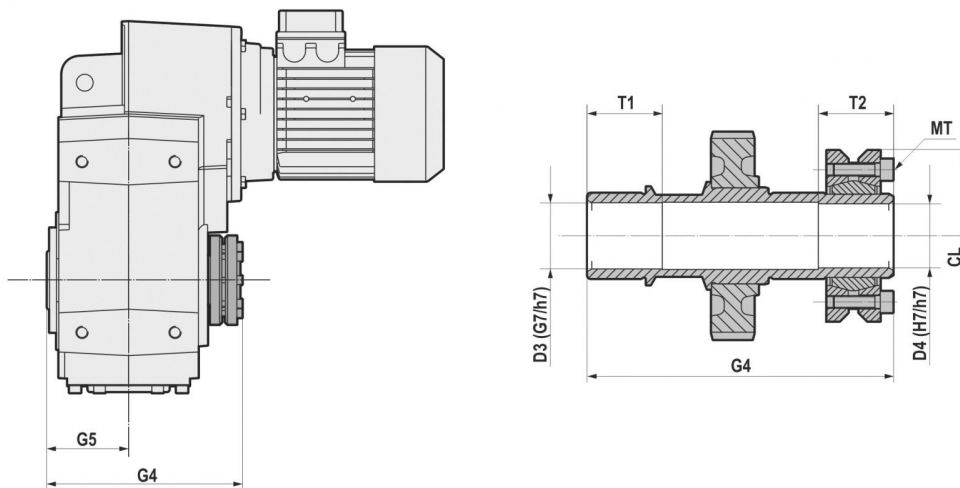
	063	071	080	090	100-112	132	160	180	200	225
	140x11	160x14	200x19	200x24	250x28	300x38	350x42	350x48	400x55	450x60
S052		B5	B5	B5	B5					
S053	B5	B5	B5	B5						
S062		B5	B5	B5	B5					
S063		B5	B5	B5						
S082			B5	B5	B5	B5				
S083		B5	B5	B5	B5					
S102			B5	B5	B5	B5	B5			
S103		B5	B5	B5	B5					
S122			B5	B5	B5	B5	B5	B5	B5	
S123			B5	B5	B5	B5				
S142						B5	B5	B5	B5	
S143					B5	B5	B5			
S152							B5	B5	B5	B5
S153						B5	B5	B5		

## 4.5 OUTPUT SHAFT WITH SHRINK DISC

Clean and degrease the surfaces of the shaft to be fitted to. Comply with the indicated tightening torque of screws ( $M_T$ ). The shrink disc is designed only to transmit the output torque. In case of radial and/or axial loads or V5-V6 mounting positions, please contact the technical support.



Certified accessory for ATEX 3G/3D, only.



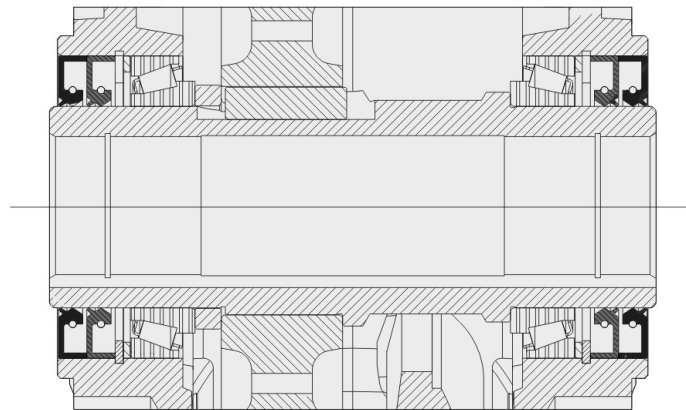
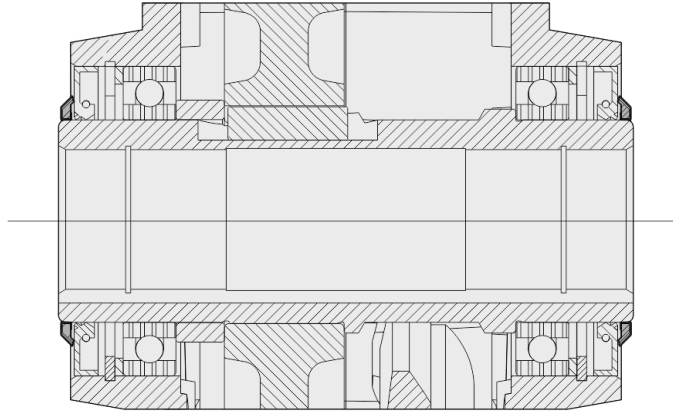
	D3	D4	G4	G5	T1	T2	CL	MT 12.9 [Nm]
S052/S053	31	30	152	60	35	35	74	15
S062/S063	36	35	173	70	40	35	80	15
S082/S083	41	40	217	90	50	40	100	15
S102/S103	51	50	248	105	55	40	115	15
S122/S123	61	60	282	120	60	50	145	40

	D3 - D4 (H7/h6)	G4	CL	MT 12.9 [Nm]
S142-S143	75	345	155	70
S152-S153	95	405	200	120
	80		185	

## 4.6 REINFORCED OIL SEALS FOR OUTPUT SHAFT

The reinforced seal can be done depending on the gearbox size by means of two oil seals or through the standard oil seal with VRM ring. The difference of the two solutions is explained on the drawings.

On request the gear reducer can be supplied with fluoroelastomer FPM (FKM) seals.

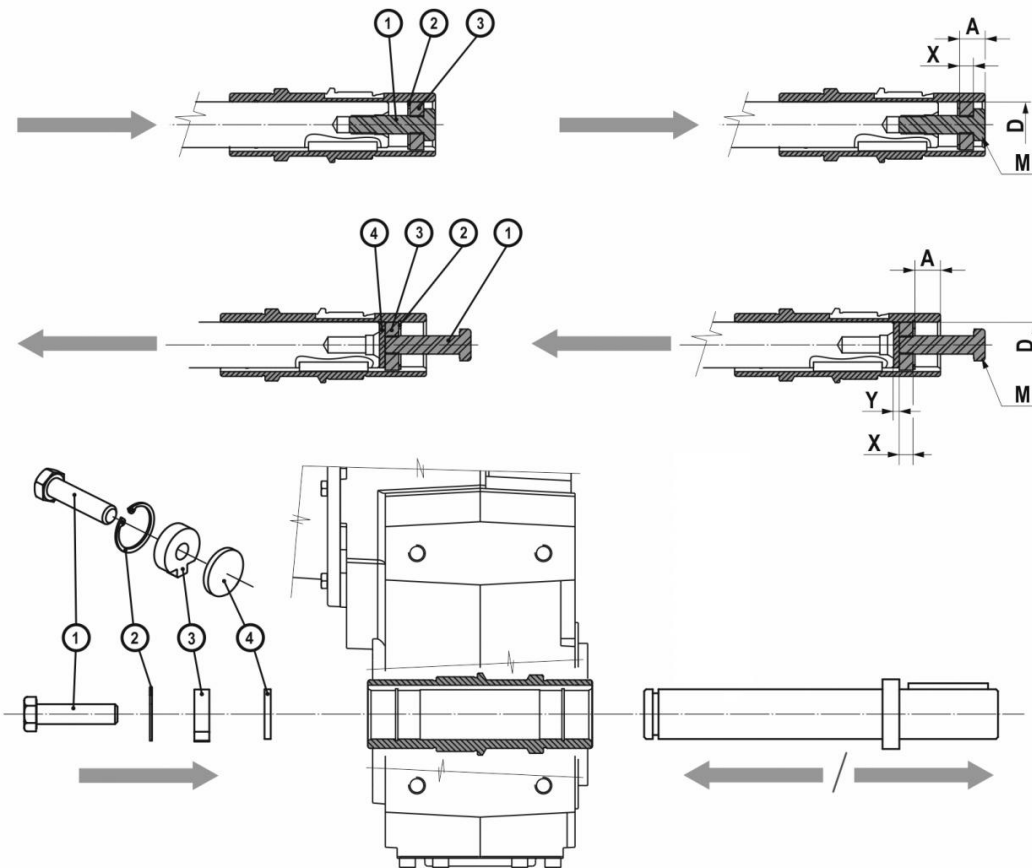


	Double oil seal	VRM ring
S050 2/3		x
S060 2/3		x
S080 2/3		x
S100 2/3		x
S125 2/3		x
S140 2/3		x
S150 2/3	x	

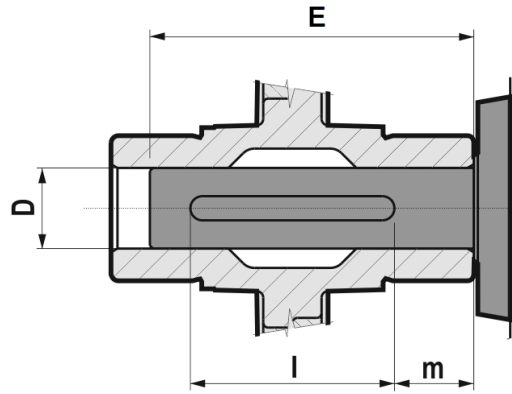
## 4.7 ASSEMBLING/DISASSEMBLING KIT

Mounting/dismounting kit for hollow shaft gear reducers with keyway that includes:

1. Retaining bolt
2. Circlip
3. Fixed nut
4. Forcing washer



	D	A	X	Y	M
S052/S053	30	13,8	10	5	M10x35
S062/S063	35	12	12	5	M16x50
S082/S083	40	22,25	12	5	M16x50
	45				
S102/S103	50	25	12	5	M16x50
S122/S123	60	28	16	5	M20x70



	D H7/h6	E*	l*	m*
S052/S053	30	91	60	12,5
S062/S063	35	108	80	12,5
S082/S083	40	140	100	17,5
	45			
S102/S103	50	165	120	20
S122/S123	60	185	140	22,5

(\*) Suggested values.

## 5.1 ATEX AVAILABILITY

S		ATEX 3G - 3D	ATEX 2G - 2D
S052/3-S062/3	C-D	✓	✓
	L	✓	NO
S082/3-S102/3	C-D	✓	✓
	L	✓	NO
S122/3	C-D	✓	✓
	L	✓	NO
S142/3	C-D	✓	✓
	L	✓	NO
S152/3	C-D	✓	✓
	L	✓	NO

CS		ATEX 3G - 3D	ATEX 2G - 2D
CS052/3-CS062/3	C-D	✓	NO
	L	✓	NO
CS082/3-CS102/3	C-D	✓	NO
	L	✓	NO
CS122/3	C-D	✓	NO
	L	✓	NO

## 0,09 kW

n2 [rpm]	M2 [Nm]	fs	i	Gear reducer	Size	Motor Pole	Fr2 D [N]	Fr2 C-L [N]
7,3	111	2,7	117,48	S053	63A	6	6000	6000
6,3	130	2,3	137,45	S053	63A	6	6000	6000
4,8	168	1,8	177,55	S053	63A	6	6000	6000
4,3	188	1,6	198,45	S053	63A	6	6000	6000
4,0	207	1,4	217,64	S053	63A	6	6000	6000
3,4	243	1,2	256,33	S053	63A	6	6000	6000

## 0,12 kW

n2 [rpm]	M2 [Nm]	fs	i	Gear reducer	Size	Motor Pole	Fr2 D [N]	Fr2 C-L [N]
11,7	93	3,2	74,20	S053	63B	6	6000	6000
11,5	93	3,1	117,48	S053	63A	4	6000	6000
11,1	98	3,0	78,14	S053	63B	6	6000	6000
9,8	110	2,7	137,45	S053	63A	4	6000	6000
9,1	120	2,5	95,84	S053	63B	6	6000	6000
7,6	142	2,1	177,55	S053	63A	4	6000	6000
7,4	147	2,0	117,48	S053	63B	6	6000	6000
6,9	159	1,9	198,45	S053	63A	4	6000	6000
6,4	172	1,7	137,45	S053	63B	6	6000	6000
6,2	174	1,7	217,64	S053	63A	4	6000	6000
5,2	204	1,4	256,33	S053	63A	4	6000	6000
4,9	222	1,3	177,55	S053	63B	6	6000	6000
4,3	248	1,2	198,45	S053	63B	6	6000	6000
4,3	251	1,2	314,21	S053	63A	4	6000	6000
4,0	272	1,1	217,64	S053	63B	6	6000	6000

## 0,18 kW

n2 [rpm]	M2 [Nm]	fs	i	Gear reducer	Size	Motor Pole	Fr2 D [N]	Fr2 C-L [N]
18,3	88	3,4	74,20	S053	63B	4	6000	6000
17,4	93	3,3	78,14	S053	63B	4	6000	6000
17,2	97	3,1	52,25	S052	71A	6	6000	6000
15,6	107	2,8	57,86	S052	71A	6	6000	6000
15,6	105	2,9	57,79	S053	71A	6	6000	6000
15,1	110	2,7	59,42	S052	71A	6	6000	6000
14,2	113	2,7	95,84	S053	63B	4	6000	6000
14,1	116	2,6	63,74	S053	71A	6	6000	6000
12,4	135	2,2	72,83	S052	71A	6	6000	6000
12,1	135	2,2	74,20	S053	71A	6	6000	6000
11,6	140	2,1	117,48	S053	63B	4	6000	6000
11,5	142	2,1	78,14	S053	71A	6	6000	6000

## 0,18 kW

n2 [rpm]	M2 [Nm]	fs	i	Gear reducer	Size	Motor Pole	Fr2 D [N]	Fr2 C-L [N]
9,9	163	1,8	137,45	S053	63B	4	6000	6000
9,4	174	1,7	95,84	S053	71A	6	6000	6000
9,0	181	2,8	99,89	S063	71A	6	10000	4000
7,7	213	1,4	117,48	S053	71A	6	6000	6000
7,7	211	1,4	177,55	S053	63B	4	6000	6000
7,1	229	2,2	126,43	S063	71A	6	10000	4000
6,9	236	1,3	198,45	S053	63B	4	6000	6000
6,5	249	1,2	137,45	S053	71A	6	6000	6000
6,2	258	1,1	217,64	S053	63B	4	6000	6000
6,0	274	1,9	150,85	S063	71A	6	10000	4000
5,7	288	3,0	158,76	S083	71A	6	18000	7200
4,9	331	1,6	182,53	S063	71A	6	10000	4000
4,9	336	1,5	185,05	S063	71A	6	10000	4000
4,9	335	2,5	184,88	S083	71A	6	18000	7200
4,4	368	2,3	203,11	S083	71A	6	18000	7200
4,4	372	2,3	205,34	S083	71A	6	18000	7200
4,1	395	1,3	217,79	S063	71A	6	10000	4000
4,0	410	2,1	226,04	S083	71A	6	18000	7200
3,6	454	1,9	250,50	S083	71A	6	18000	7200
3,4	484	1,1	267,16	S063	71A	6	10000	4000
3,4	483	1,8	266,13	S083	71A	6	18000	7200
3,3	497	2,7	274,20	S103	71A	6	22000	9000
3,2	509	2,7	280,89	S103	71A	6	22000	9000
3,1	530	1,6	292,36	S083	71A	6	18000	7200
3,1	530	2,6	292,36	S103	71A	6	22000	9000
2,9	573	1,5	315,73	S083	71A	6	18000	7200
2,8	582	2,4	320,79	S103	71A	6	22000	9000
2,6	627	2,2	345,60	S103	71A	6	22000	9000
2,5	654	1,3	360,58	S083	71A	6	18000	7200
2,3	716	1,9	394,69	S103	71A	6	22000	9000

## 0,25 kW

n2 [rpm]	M2 [Nm]	fs	i	Gear reducer	Size	Motor Pole	Fr2 D [N]	Fr2 C-L [N]
30,3	76	2,7	30,00	S052	71B	6	6000	6000
27,9	83	3,1	32,55	S052	71B	6	6000	6000
27,6	84	3,0	33,00	S052	71B	6	6000	6000
26,7	87	2,9	34,09	S052	71B	6	6000	6000
25,0	91	3,3	36,50	S053	71B	6	6000	6000
24,9	93	3,0	36,55	S052	71B	6	6000	6000
23,8	96	3,1	57,86	S052	71A	4	6000	6000
23,5	99	2,8	38,75	S052	71B	6	6000	6000



## 0,25 kW

n2 [rpm]	M2 [Nm]	fs	i	Gear reducer	Motor Size	Pole	Fr2 D [N]	Fr2 C-L [N]
23,3	96	3,2	57,79	S053	63D/71A	4	6000	6000
23,2	99	3,0	59,42	S052	71A	4	6000	6000
22,9	102	2,9	39,90	S052	71B	6	6000	6000
21,3	109	2,7	42,63	S052	71B	6	6000	6000
21,2	106	2,9	63,74	S053	63D/71A	4	6000	6000
19,8	117	2,5	46,00	S052	71B	6	6000	6000
19,3	120	2,5	47,20	S052	71B	6	6000	6000
19,3	118	2,5	47,14	S053	71B	6	6000	6000
19,0	121	2,5	72,83	S052	71A	4	6000	6000
18,2	123	2,5	74,20	S053	63D/71A	4	6000	6000
17,4	133	2,2	52,25	S052	71B	6	6000	6000
17,3	130	2,4	78,14	S053	63D/71A	4	6000	6000
15,8	147	2,0	57,86	S052	71B	6	6000	6000
15,8	144	2,1	57,79	S053	71B	6	6000	6000
15,3	151	1,9	59,42	S052	71B	6	6000	6000
14,3	159	1,9	63,74	S053	71B	6	6000	6000
14,1	159	1,8	95,84	S053	63D/71A	4	6000	6000
13,9	164	3,1	65,85	S063	71B	6	10000	4000
13,8	162	3,2	99,89	S063	71A	4	10000	4000
13,4	172	2,9	67,47	S062	71B	6	10000	4000
13,3	170	3,0	68,25	S063	71B	6	10000	4000
12,5	185	1,6	72,83	S052	71B	6	6000	6000
12,3	183	2,8	73,63	S063	71B	6	10000	4000
12,2	185	1,6	74,20	S053	71B	6	6000	6000
11,6	195	1,5	78,14	S053	71B	6	6000	6000
11,5	196	1,5	117,48	S053	63D/71A	4	6000	6000
11,2	203	2,5	81,43	S063	71B	6	10000	4000
10,9	205	2,5	126,43	S063	71A	4	10000	4000
9,8	229	1,3	137,45	S053	63D/71A	4	6000	6000
9,5	238	1,2	95,84	S053	71B	6	6000	6000
9,1	246	2,1	150,85	S063	71A	4	10000	4000
9,1	249	2,0	99,89	S063	71B	6	10000	4000
8,7	258	3,3	158,76	S083	71A	4	18000	7200
7,8	293	1,0	117,48	S053	71B	6	6000	6000
7,8	292	2,9	117,17	S083	71B	6	18000	7200
7,7	289	1,0	177,55	S053	71A	4	6000	6000
7,5	297	1,7	182,53	S063	71A	4	10000	4000
7,4	301	1,7	185,05	S063	71A	4	10000	4000
7,4	301	2,8	184,88	S083	71A	4	18000	7200
7,2	315	1,6	126,43	S063	71B	6	10000	4000
7,1	320	2,6	128,73	S083	71B	6	18000	7200
6,8	330	2,6	203,11	S083	71A	4	18000	7200

## 0,25 kW

n2 [rpm]	M2 [Nm]	fs	i	Gear reducer	Size	Motor Pole	Fr2 D [N]	Fr2 C-L [N]
6,8	334	2,6	205,34	S083	71A	4	18000	7200
6,7	339	2,5	136,34	S083	71B	6	18000	7200
6,4	355	1,5	217,79	S063	71A	4	10000	4000
6,1	376	1,3	150,85	S063	71B	6	10000	4000
6,1	368	2,3	226,04	S083	71A	4	18000	7200
5,8	396	2,1	158,76	S083	71B	6	18000	7200
5,5	407	2,1	250,50	S083	71A	4	18000	7200
5,3	433	3,1	173,78	S103	71B	6	22000	9000
5,2	434	1,2	267,16	S063	71A	4	10000	4000
5,2	433	2,0	266,13	S083	71A	4	18000	7200
5,1	446	3,1	274,20	S103	71A	4	22000	9000
5,0	455	1,1	182,53	S063	71B	6	10000	4000
5,0	461	1,1	185,05	S063	71B	6	10000	4000
5,0	461	1,8	184,88	S083	71B	6	18000	7200
4,9	457	3,0	280,89	S103	71A	4	22000	9000
4,9	470	2,9	188,51	S103	71B	6	22000	9000
4,8	475	1,8	292,36	S083	71A	4	18000	7200
4,8	475	2,9	292,36	S103	71A	4	22000	9000
4,4	506	1,7	203,11	S083	71B	6	18000	7200
4,4	511	1,6	205,34	S083	71B	6	18000	7200
4,4	506	2,7	203,11	S103	71B	6	22000	9000
4,4	514	1,7	315,73	S083	71A	4	18000	7200
4,3	522	2,6	320,79	S103	71A	4	22000	9000
4,0	563	1,5	226,04	S083	71B	6	18000	7200
4,0	555	2,4	222,85	S103	71B	6	22000	9000
4,0	560	2,4	224,76	S103	71B	6	22000	9000
4,0	562	2,4	345,60	S103	71A	4	22000	9000
3,9	586	1,5	360,58	S083	71A	4	18000	7200
3,6	624	1,3	250,50	S083	71B	6	18000	7200
3,5	642	2,1	394,69	S103	71A	4	22000	9000
3,4	663	1,3	266,13	S083	71B	6	18000	7200
3,3	683	2,0	274,20	S103	71B	6	22000	9000
3,2	699	1,9	280,89	S103	71B	6	22000	9000
3,1	728	1,1	292,36	S083	71B	6	18000	7200
3,1	728	1,8	292,36	S103	71B	6	22000	9000
2,9	786	1,1	315,73	S083	71B	6	18000	7200
2,8	799	1,7	320,79	S103	71B	6	22000	9000
2,6	861	1,6	345,60	S103	71B	6	22000	9000
2,3	983	1,4	394,69	S103	71B	6	22000	9000

## 0,37 kW

n2 [rpm]	M2 [Nm]	fs	i	Gear reducer	Motor Size	Pole	Fr2 D [N]	Fr2 C-L [N]
55,2	62	2,8	16,29	S052	71C	6	5904	5904
48,3	71	2,5	18,63	S052	71C/80A	6	6000	6000
46,7	73	2,8	30,00	S052	71B	4	6000	6000
45,6	75	2,4	19,73	S052	71C/80A	6	6000	6000
43,0	79	3,2	32,55	S052	71B	4	6000	6000
42,8	80	2,4	21,04	S052	71C/80A	6	6000	6000
42,4	80	3,2	33,00	S052	71B	4	6000	6000
41,8	82	2,2	21,53	S052	71C/80A	6	6000	6000
41,1	83	3,1	34,09	S052	71B	4	6000	6000
38,3	89	3,1	36,55	S052	71B	4	6000	6000
38,3	87	3,4	36,50	S053	71B	4	6000	6000
37,4	92	2,0	24,07	S052	71C/80A	6	6000	6000
36,1	94	3,0	38,75	S052	71B	4	6000	6000
35,7	96	2,6	25,20	S052	71C/80A	6	6000	6000
35,1	97	3,0	39,90	S052	71B	4	6000	6000
34,9	98	2,1	25,79	S052	71C/80A	6	6000	6000
32,9	104	2,8	42,63	S052	71B	4	6000	6000
32,3	106	1,9	27,81	S052	71C/80A	6	6000	6000
30,4	111	2,6	46,00	S052	71B	4	6000	6000
30,0	114	1,8	30,00	S052	71C/80A	6	6000	6000
29,7	111	2,6	47,14	S053	71B	4	6000	6000
29,6	114	2,6	47,20	S052	71B	4	6000	6000
27,6	124	2,0	32,55	S052	71C/80A	6	6000	6000
27,3	125	2,0	33,00	S052	71C/80A	6	6000	6000
26,8	126	2,3	52,25	S052	71B	4	6000	6000
26,4	130	1,9	34,09	S052	71C/80A	6	6000	6000
24,6	139	2,0	36,55	S052	71C/80A	6	6000	6000
24,6	136	2,2	36,50	S053	71C/80A	6	6000	6000
24,2	137	2,2	57,79	S053	71B	4	6000	6000
24,1	140	2,1	57,86	S052	71B	4	6000	6000
23,5	144	2,0	59,42	S052	71B	4	6000	6000
23,2	148	1,9	38,75	S052	71C/80A	6	6000	6000
22,6	152	1,9	39,90	S052	71C/80A	6	6000	6000
21,9	151	2,0	63,74	S053	71B	4	6000	6000
21,3	156	3,2	65,85	S063	71B	4	10000	4000
21,1	162	1,8	42,63	S052	71C/80A	6	6000	6000
20,8	164	3,1	67,47	S062	71B	4	10000	4000
20,7	166	3,1	43,64	S062	71C/80A	6	10000	4000
20,5	162	3,1	68,25	S063	71B	4	10000	4000
19,5	175	1,7	46,00	S052	71C/80A	6	6000	6000
19,5	175	2,9	46,10	S062	71C/80A	6	10000	4000
19,2	176	1,7	72,83	S052	71B	4	6000	6000

## 0,37 kW

n2 [rpm]	M2 [Nm]	fs	i	Gear reducer	Motor Size	Pole	Fr2 D [N]	Fr2 C-L [N]
19,1	176	1,7	47,14	S053	71C/80A	6	6000	6000
19,0	180	1,6	47,20	S052	71C/80A	6	6000	6000
19,0	174	2,9	73,63	S063	71B	4	10000	4000
18,9	176	1,7	74,20	S053	71B	4	6000	6000
18,6	184	2,8	48,30	S062	71C/80A	6	10000	4000
18,3	183	2,8	49,13	S063	71C/80A	6	10000	4000
18,0	185	1,6	78,14	S053	71B	4	6000	6000
17,2	199	1,5	52,25	S052	71C/80A	6	6000	6000
17,1	193	2,6	81,43	S063	71B	4	10000	4000
16,8	203	2,5	53,53	S062	71C/80A	6	10000	4000
16,4	209	2,5	55,00	S062	71C/80A	6	10000	4000
16,3	206	2,5	55,29	S063	71C/80A	6	10000	4000
15,5	220	1,3	57,86	S052	71C/80A	6	6000	6000
15,5	215	1,4	57,79	S053	71C/80A	6	6000	6000
15,3	219	2,4	58,72	S063	71C/80A	6	10000	4000
15,1	226	1,3	59,42	S052	71C/80A	6	6000	6000
14,6	228	1,3	95,84	S053	71B	4	6000	6000
14,1	238	1,2	63,74	S053	71C/80A	6	6000	6000
14,0	237	2,1	99,89	S063	71B	4	10000	4000
13,7	245	2,0	65,85	S063	71C/80A	6	10000	4000
13,3	257	1,9	67,47	S062	71C/80A	6	10000	4000
13,2	254	2,0	68,25	S063	71C/80A	6	10000	4000
12,7	265	3,2	74,18	S083	80A	6	18000	7200
12,4	278	1,1	72,83	S052	71C/80A	6	6000	6000
12,3	275	1,8	73,63	S063	71C/80A	6	10000	4000
12,2	277	1,1	74,20	S053	71C/80A	6	6000	6000
12,0	278	3,0	117,17	S083	71B	4	18000	7200
11,9	279	1,0	117,48	S053	71B	4	6000	6000
11,6	291	1,0	78,14	S053	71C/80A	6	6000	6000
11,5	292	2,9	81,71	S083	80A	6	18000	7200
11,1	300	1,7	126,43	S063	71B	4	10000	4000
11,0	303	1,6	81,43	S063	71C/80A	6	10000	4000
10,9	306	2,7	128,73	S083	71B	4	18000	7200
10,3	327	2,6	91,49	S083	80A	6	18000	7200
10,2	323	2,6	136,34	S083	71B	4	18000	7200
9,3	359	2,4	100,62	S083	80A	6	18000	7200
9,2	358	1,4	150,85	S063	71B	4	10000	4000
9,0	373	1,3	99,89	S063	71C/80A	6	10000	4000
8,8	377	2,2	158,76	S083	71B	4	18000	7200
8,2	412	3,3	110,55	S103	71C	6	22000	9000
8,0	412	3,3	173,78	S103	71B	4	22000	9000
7,7	433	1,2	182,53	S063	71B	4	10000	4000

## 0,37 kW

n2 [rpm]	M2 [Nm]	fs	i	Gear reducer	Motor Size	Pole	Fr2 D [N]	Fr2 C-L [N]
7,7	437	1,9	117,17	S083	71C/80A	6	18000	7200
7,6	439	1,2	185,05	S063	71B	4	10000	4000
7,6	439	1,9	184,88	S083	71B	4	18000	7200
7,5	452	3,1	121,29	S103	71C/80A	6	22000	9000
7,4	448	3,0	188,51	S103	71B	4	22000	9000
7,2	471	1,1	126,43	S063	71C/80A	6	10000	4000
7,0	480	1,7	128,73	S083	71C/80A	6	18000	7200
7,0	480	2,9	128,73	S103	71C/80A	6	22000	9000
6,9	482	1,7	203,11	S083	71B	4	18000	7200
6,9	482	2,8	203,11	S103	71B	4	22000	9000
6,8	487	1,7	205,34	S083	71B	4	18000	7200
6,6	508	1,6	136,34	S083	71C/80A	6	18000	7200
6,3	526	2,6	141,24	S103	71C/80A	6	22000	9000
6,3	528	2,5	222,85	S103	71B	4	22000	9000
6,2	536	1,6	226,04	S083	71B	4	18000	7200
6,2	533	2,5	224,76	S103	71B	4	22000	9000
5,6	592	1,4	158,76	S083	71C/80A	6	18000	7200
5,6	594	1,4	250,50	S083	71B	4	18000	7200
5,3	632	1,3	266,13	S083	71B	4	18000	7200
5,2	647	2,1	173,78	S103	71C/80A	6	22000	9000
5,1	651	2,1	274,20	S103	71B	4	22000	9000
5,0	666	2,0	280,89	S103	71B	4	22000	9000
4,9	689	1,2	184,88	S083	71C/80A	6	18000	7200
4,8	703	1,9	188,51	S103	71C/80A	6	22000	9000
4,8	694	1,2	292,36	S083	71B	4	18000	7200
4,8	694	1,9	292,36	S103	71B	4	22000	9000
4,5	749	1,1	315,73	S083	71B	4	18000	7200
4,4	757	1,1	203,11	S083	71C/80A	6	18000	7200
4,4	766	1,1	205,34	S083	71C/80A	6	18000	7200
4,4	757	1,8	203,11	S103	71C/80A	6	22000	9000
4,4	761	1,8	320,79	S103	71B	4	22000	9000
4,2	807	1,1	226,04	S083	80A	6	18000	7200
4,1	820	1,6	345,60	S103	71B	4	22000	9000
4,0	831	1,6	222,85	S103	71C/80A	6	22000	9000
4,0	838	1,6	224,76	S103	71C/80A	6	22000	9000
3,9	853	3,0	238,93	S123	80A	6	30000	11200
3,7	912	2,8	255,54	S123	80A	6	30000	11200
3,6	936	1,4	394,69	S103	71B	4	22000	9000
3,4	1000	2,6	280,10	S123	80A	6	30000	11200
3,3	1022	1,3	274,20	S103	71C/80A	6	22000	9000
3,2	1047	1,3	280,89	S103	71C/80A	6	22000	9000
3,1	1075	2,4	301,16	S123	80A	6	30000	11200

## 6.1 S GEARED MOTORS (50Hz)

## 0,37 kW

n2 [rpm]	M2 [Nm]	fs	i	Gear reducer	Size	Motor Pole	Fr2 D [N]	Fr2 C-L [N]
3,1	1090	1,2	292,36	S103	71C/80A	6	22000	9000
2,8	1196	1,1	320,79	S103	71C/80A	6	22000	9000
2,7	1227	2,1	343,93	S123	80A	6	30000	11200
2,6	1288	1,0	345,60	S103	71C/80A	6	22000	9000

## 0,55 kW

n2 [rpm]	M2 [Nm]	fs	i	Gear reducer	Size	Motor Pole	Fr2 D [N]	Fr2 C-L [N]
109,0	47	2,6	8,63	S052	80B	6	4719	4719
84,4	60	2,2	11,14	S052	80B	6	5079	5079
78,3	65	2,2	12,00	S052	80B	6	5187	5187
75,1	68	2,6	18,63	S052	71C/80A	4	5267	5267
70,9	71	2,5	19,73	S052	71C/80A	4	5352	5352
68,8	74	2,0	13,66	S052	80B	6	5377	5377
66,5	75	2,5	21,04	S052	71C/80A	4	5448	5448
65,0	77	2,5	21,53	S052	71C/80A	4	5482	5482
61,6	83	2,1	15,27	S052	80B	6	5544	5544
58,1	87	2,1	24,07	S052	71C/80A	4	5651	5651
57,7	88	2,0	16,29	S052	80B	6	5641	5641
55,6	91	2,8	25,20	S052	71C/80A	4	5721	5721
54,3	93	2,2	25,79	S052	71C/80A	4	5756	5756
50,4	101	1,7	18,63	S052	80B	6	5846	5846
50,4	100	2,0	27,81	S052	71C/80A	4	5872	5872
47,6	107	1,6	19,73	S052	80B	6	5933	5933
46,7	108	1,9	30,00	S052	71C/80A	4	5989	5989
44,7	114	1,6	21,04	S052	80B	6	6000	6000
43,7	117	1,6	21,53	S052	80B	6	6000	6000
43,0	117	2,1	32,55	S052	71C/80A	4	6000	6000
42,4	118	2,1	33,00	S052	71C/80A	4	6000	6000
41,1	122	2,0	34,09	S052	71C/80A	4	6000	6000
40,5	126	2,7	23,18	S062	80B	6	10000	4000
39,6	129	2,6	23,75	S062	80B	6	10000	4000
39,0	131	1,4	24,07	S052	80B	6	6000	6000
38,3	132	2,1	36,55	S052	71C/80A	4	6000	6000
38,3	129	2,4	36,50	S053	71C/80A	4	6000	6000
37,4	137	2,5	25,14	S062	80B	6	10000	4000
37,3	137	1,8	25,20	S052	80B	6	6000	6000
36,5	140	1,5	25,79	S052	80B	6	6000	6000
36,2	140	2,0	38,75	S052	71C/80A	4	6000	6000
35,1	144	2,0	39,90	S052	71C/80A	4	6000	6000
34,0	149	2,3	27,66	S062	80B	6	10000	4000
33,8	150	1,4	27,81	S052	80B	6	6000	6000

## 0,55 kW

n2 [rpm]	M2 [Nm]	fs	i	Gear reducer	Motor Size	Pole	Fr2 D [N]	Fr2 C-L [N]
32,8	154	1,9	42,63	S052	71C/80A	4	6000	6000
32,1	158	3,3	43,64	S062	71C/80A	4	10000	4000
31,3	162	1,3	30,00	S052	80B	6	6000	6000
31,3	162	2,2	30,00	S062	80B	6	10000	4000
30,5	165	1,8	46,00	S052	71C/80A	4	6000	6000
30,4	166	3,1	46,10	S062	71C/80A	4	10000	4000
29,7	166	1,8	47,14	S053	71C/80A	4	6000	6000
29,6	170	1,7	47,20	S052	71C/80A	4	6000	6000
29,0	174	3,0	48,30	S062	71C/80A	4	10000	4000
28,9	176	1,4	32,55	S052	80B	6	6000	6000
28,5	173	3,0	49,13	S063	71C/80A	4	10000	4000
28,5	179	1,4	33,00	S052	80B	6	6000	6000
28,0	178	2,8	33,57	S063	80B	6	10000	4000
27,7	184	2,5	33,93	S062	80B	6	10000	4000
27,6	185	1,4	34,09	S052	80B	6	6000	6000
26,8	188	1,5	52,25	S052	71C/80A	4	6000	6000
26,2	193	2,7	53,53	S062	71C/80A	4	10000	4000
25,8	194	1,5	36,50	S053	80B	6	6000	6000
25,7	198	1,4	36,55	S052	80B	6	6000	6000
25,7	198	2,5	36,57	S062	80B	6	10000	4000
25,4	198	2,6	55,00	S062	71C/80A	4	10000	4000
25,3	195	2,7	55,29	S063	71C/80A	4	10000	4000
24,9	201	2,5	37,77	S063	80B	6	10000	4000
24,3	210	1,3	38,75	S052	80B	6	6000	6000
24,2	208	1,4	57,86	S052	71C/80A	4	6000	6000
24,2	204	1,4	57,79	S053	71C/80A	4	6000	6000
23,9	214	2,4	39,38	S062	80B	6	10000	4000
23,8	207	2,5	58,72	S063	71C/80A	4	10000	4000
23,6	214	1,4	59,42	S052	71C/80A	4	6000	6000
23,6	216	1,4	39,90	S052	80B	6	6000	6000
23,4	213	2,4	40,05	S063	80B	6	10000	4000
22,0	231	1,3	42,63	S052	80B	6	6000	6000
22,0	225	1,3	63,74	S053	71C/80A	4	6000	6000
21,5	236	2,1	43,64	S062	80B	6	10000	4000
21,3	232	2,1	65,85	S063	71C/80A	4	10000	4000
20,7	243	2,1	67,47	S062	71C/80A	4	10000	4000
20,5	241	2,1	68,25	S063	71C/80A	4	10000	4000
20,4	249	1,2	46,00	S052	80B	6	6000	6000
20,4	249	2,0	46,10	S062	80B	6	10000	4000
19,9	255	1,2	47,20	S052	80B	6	6000	6000
19,9	250	1,2	47,14	S053	80B	6	6000	6000
19,5	261	1,9	48,30	S062	80B	6	10000	4000

## 0,55 kW

n2 [rpm]	M2 [Nm]	fs	i	Gear reducer	Motor Size	Pole	Fr2 D [N]	Fr2 C-L [N]
19,2	262	1,1	72,83	S052	71C/80A	4	6000	6000
19,2	258	3,2	74,18	S083	80A	4	18000	7200
19,1	260	1,9	49,13	S063	80B	6	10000	4000
19,0	259	1,9	73,63	S063	71C/80A	4	10000	4000
18,9	261	1,1	74,20	S053	71C/80A	4	6000	6000
18,7	272	3,1	50,25	S082	80B	6	18000	7200
18,0	283	1,0	52,25	S052	80B	6	6000	6000
17,9	276	1,1	78,14	S053	71C/80A	4	6000	6000
17,6	290	1,7	53,53	S062	80B	6	10000	4000
17,3	284	2,9	81,71	S083	80A	4	18000	7200
17,3	294	2,9	54,27	S082	80B	6	18000	7200
17,2	287	1,7	81,43	S063	71C/80A	4	10000	4000
17,1	298	1,7	55,00	S062	80B	6	10000	4000
17,0	293	1,7	55,29	S063	80B	6	10000	4000
16,0	312	1,6	58,72	S063	80B	6	10000	4000
15,5	318	2,6	91,49	S083	80A	4	18000	7200
15,2	335	2,5	61,98	S082	80B	6	18000	7200
14,3	349	1,4	65,85	S063	80B	6	10000	4000
14,1	350	2,4	100,62	S083	80A	4	18000	7200
14,0	352	1,4	99,89	S063	71C/80A	4	10000	4000
13,9	365	1,4	67,47	S062	80B	6	10000	4000
13,9	358	2,3	67,52	S083	80B	6	18000	7200
13,7	362	1,4	68,25	S063	80B	6	10000	4000
12,7	391	1,3	73,63	S063	80B	6	10000	4000
12,6	394	2,1	74,18	S083	80B	6	18000	7200
12,0	413	2,0	117,17	S083	71C/80A	4	18000	7200
11,5	428	3,2	121,29	S103	71C/80A	4	22000	9000
11,5	432	1,2	81,43	S063	80B	6	10000	4000
11,5	433	1,9	81,71	S083	80B	6	18000	7200
11,5	431	3,1	81,39	S103	80B	6	22000	9000
11,0	446	1,1	126,43	S063	71C/80A	4	10000	4000
10,8	454	1,8	128,73	S083	71C/80A	4	18000	7200
10,8	454	3,0	128,73	S103	71C/80A	4	22000	9000
10,5	476	2,8	89,77	S103	80B	6	22000	9000
10,3	486	1,7	91,49	S083	80B	6	18000	7200
10,2	480	1,7	136,34	S083	71C/80A	4	18000	7200
9,9	498	2,8	141,24	S103	71C/80A	4	22000	9000
9,4	531	2,5	100,15	S103	80B	6	22000	9000
9,3	534	1,6	100,62	S083	80B	6	18000	7200
8,8	560	1,5	158,76	S083	71C/80A	4	18000	7200
8,5	587	2,3	110,55	S103	80B	6	22000	9000
8,1	613	2,2	173,78	S103	71C/80A	4	22000	9000



## 0,55 kW

n2 [rpm]	M2 [Nm]	fs	i	Gear reducer	Motor Size	Pole	Fr2 D [N]	Fr2 C-L [N]
8,0	621	1,4	117,17	S083	80B	6	18000	7200
7,8	643	2,1	121,29	S103	80B	6	22000	9000
7,6	652	1,3	184,88	S083	71C/80A	4	18000	7200
7,5	664	2,0	188,51	S103	71C/80A	4	22000	9000
7,3	683	1,2	128,73	S083	80B	6	18000	7200
7,3	683	2,0	128,73	S103	80B	6	22000	9000
6,9	723	1,2	136,34	S083	80B	6	18000	7200
6,8	716	1,2	203,11	S083	71C/80A	4	18000	7200
6,8	724	1,1	205,34	S083	71C/80A	4	18000	7200
6,8	716	1,9	203,11	S103	71C/80A	4	22000	9000
6,7	749	1,8	141,24	S103	80B	6	22000	9000
6,6	749	3,4	215,60	S123	80A	4	30000	11200
6,2	798	1,0	226,04	S083	71C/80A	4	18000	7200
6,2	786	1,7	222,85	S103	71C/80A	4	22000	9000
6,2	793	1,7	224,76	S103	71C/80A	4	22000	9000
6,2	803	3,2	151,43	S123	80B	6	30000	11200
6,0	831	3,0	238,93	S123	80A	4	30000	11200
5,6	888	2,8	255,54	S123	80A	4	30000	11200
5,5	922	1,5	173,78	S103	80B	6	22000	9000
5,3	942	2,7	177,53	S123	80B	6	30000	11200
5,1	967	1,4	274,20	S103	71C/80A	4	22000	9000
5,1	974	2,6	280,10	S123	80A	4	30000	11200
5,0	990	1,3	280,89	S103	71C/80A	4	22000	9000
5,0	1000	1,4	188,51	S103	80B	6	22000	9000
4,9	1032	2,4	194,59	S123	80B	6	30000	11200
4,8	1031	1,3	292,36	S103	71C/80A	4	22000	9000
4,7	1047	2,4	301,16	S123	80A	4	30000	11200
4,6	1077	1,3	203,11	S103	80B	6	22000	9000
4,4	1131	1,2	320,79	S103	71C/80A	4	22000	9000
4,3	1144	2,2	215,60	S123	80B	6	30000	11200
4,2	1182	1,1	222,85	S103	80B	6	22000	9000
4,2	1196	2,1	343,93	S123	80A	4	30000	11200
4,1	1192	1,1	224,76	S103	80B	6	22000	9000
4,1	1219	1,1	345,60	S103	71C/80A	4	22000	9000
3,9	1267	2,0	238,93	S123	80B	6	30000	11200
3,6	1356	1,9	255,54	S123	80B	6	30000	11200
3,3	1486	1,7	280,10	S123	80B	6	30000	11200
3,1	1598	1,6	301,16	S123	80B	6	30000	11200
2,7	1825	1,4	343,93	S123	80B	6	30000	11200

## 0,75 kW

n2 [rpm]	M2 [Nm]	fs	i	Gear reducer	Size	Motor Pole	Fr2 D [N]	Fr2 C-L [N]
129,3	54	2,6	11,14	S052	80B	4	4403	4403
120,0	58	2,5	12,00	S052	80B	4	4496	4496
109,0	64	1,9	8,63	S052	90S	6	4606	4606
105,4	66	2,3	13,66	S052	80B	4	4660	4660
94,3	73	2,4	15,27	S052	80B	4	4796	4796
88,4	78	2,2	16,29	S052	80B	4	4880	4880
84,4	82	1,6	11,14	S052	90S	6	4964	4964
78,4	89	1,6	12,00	S052	90S	6	5062	5062
77,2	89	2,0	18,63	S052	80B	4	5094	5094
73,0	94	1,8	19,73	S052	80B	4	5142	5142
68,8	101	1,5	13,66	S052	90S	6	5205	5205
68,5	100	1,9	21,04	S052	80B	4	5227	5227
66,9	103	1,8	21,53	S052	80B	4	5258	5258
61,5	113	1,5	15,27	S052	90S	6	5353	5353
59,8	115	1,6	24,07	S052	80B	4	5406	5406
59,0	117	2,8	15,94	S062	90S	6	9788	3915
58,1	119	2,8	16,16	S062	90S	6	9827	3931
57,7	120	1,4	16,29	S052	90S	6	5467	5467
57,3	120	2,9	25,14	S062	80B	4	9837	3935
57,2	121	2,1	25,20	S052	80B	4	5496	5496
55,9	123	1,6	25,79	S052	80B	4	5527	5527
52,0	132	2,6	27,66	S062	80B	4	10000	4000
51,7	133	1,5	27,81	S052	80B	4	5627	5627
50,5	138	1,3	18,63	S052	90S	6	5616	5616
48,7	143	2,2	19,29	S062	90S	6	10000	4000
48,1	145	2,2	19,55	S062	90S	6	10000	4000
48,0	143	1,4	30,00	S052	80B	4	5699	5699
48,0	143	2,5	30,00	S062	80B	4	10000	4000
47,6	146	1,2	19,73	S052	90S	6	5691	5691
44,6	156	1,2	21,04	S052	90S	6	5803	5803
44,2	156	1,6	32,55	S052	80B	4	5806	5806
43,6	160	1,2	21,53	S052	90S	6	5833	5833
43,6	158	1,6	33,00	S052	80B	4	5815	5815
42,9	157	3,2	33,57	S063	80B	4	10000	4000
42,5	162	2,9	33,93	S062	80B	4	10000	4000
42,2	163	1,6	34,09	S052	80B	4	5857	5857
40,6	171	1,9	23,18	S062	90S	6	10000	4000
39,5	175	1,9	23,75	S062	90S	6	10000	4000
39,5	171	1,7	36,50	S053	80B	4	6000	6000
39,4	175	1,6	36,55	S052	80B	4	5947	5947
39,4	175	2,9	36,57	S062	80B	4	10000	4000
39,0	178	1,0	24,07	S052	90S	6	5976	5976

## 0,75 kW

n2 [rpm]	M2 [Nm]	fs	i	Gear reducer	Size	Motor Pole	Fr2 D [N]	Fr2 C-L [N]
38,1	177	2,9	37,77	S063	80B	4	10000	4000
37,4	186	1,9	25,14	S062	90S	6	10000	4000
37,3	186	1,3	25,20	S052	90S	6	6000	6000
37,2	185	1,5	38,75	S052	80B	4	6000	6000
36,6	188	2,7	39,38	S062	80B	4	10000	4000
36,5	191	1,1	25,79	S052	90S	6	6000	6000
36,1	191	1,6	39,90	S052	80B	4	6000	6000
35,9	188	2,7	40,05	S063	80B	4	10000	4000
34,0	205	1,7	27,66	S062	90S	6	10000	4000
33,8	205	1,0	27,81	S052	90S	6	6000	6000
33,8	204	1,5	42,63	S052	80B	4	6000	6000
33,0	209	2,4	43,64	S062	80B	4	10000	4000
31,3	220	1,4	46,00	S052	80B	4	6000	6000
31,3	222	1,6	30,00	S062	90S	6	10000	4000
31,2	220	2,3	46,10	S062	80B	4	10000	4000
30,5	226	1,3	47,20	S052	80B	4	6000	6000
30,5	221	1,3	47,14	S053	80B	4	6000	6000
29,8	231	2,2	48,30	S062	80B	4	10000	4000
29,3	230	2,2	49,13	S063	80B	4	10000	4000
28,9	241	1,0	32,55	S052	90S	6	6000	6000
28,5	244	1,1	33,00	S052	90S	6	6000	6000
28,0	243	2,1	33,57	S063	90S	6	10000	4000
27,7	251	1,8	33,93	S062	90S	6	10000	4000
27,6	252	1,0	34,09	S052	90S	6	6000	6000
27,6	250	1,2	52,25	S052	80B	4	6000	6000
27,0	258	3,3	34,91	S082	90S	6	18000	7200
26,9	256	2,0	53,53	S062	80B	4	10000	4000
26,5	260	3,3	54,27	S082	80B	4	18000	7200
26,5	262	3,3	35,50	S082	90S	6	18000	7200
26,2	263	1,9	55,00	S062	80B	4	10000	4000
26,0	259	2,0	55,29	S063	80B	4	10000	4000
25,7	270	1,0	36,55	S052	90S	6	6000	6000
25,7	264	1,1	36,50	S053	90S	6	6000	6000
25,7	270	1,8	36,57	S062	90S	6	10000	4000
24,9	273	1,8	37,77	S063	90S	6	10000	4000
24,9	276	1,0	57,86	S052	80B	4	6000	6000
24,9	270	1,1	57,79	S053	80B	4	6000	6000
24,5	275	1,9	58,72	S063	80B	4	10000	4000
24,3	284	1,0	59,42	S052	80B	4	6000	6000
23,9	291	1,8	39,38	S062	90S	6	10000	4000
23,6	295	1,0	39,90	S052	90S	6	6000	6000
23,5	290	1,8	40,05	S063	90S	6	10000	4000

## 0,75 kW

n2 [rpm]	M2 [Nm]	fs	i	Gear reducer	Size	Motor Pole	Fr2 D [N]	Fr2 C-L [N]
23,5	296	2,9	40,05	S082	90S	6	18000	7200
23,2	296	2,9	61,98	S082	80B	4	18000	7200
22,6	298	1,0	63,74	S053	80B	4	6000	6000
21,9	308	1,6	65,85	S063	80B	4	10000	4000
21,9	318	2,7	43,05	S082	90S	6	18000	7200
21,5	322	1,6	43,64	S062	90S	6	10000	4000
21,3	322	1,6	67,47	S062	80B	4	10000	4000
21,3	316	2,7	67,52	S083	80B	4	18000	7200
21,1	319	1,6	68,25	S063	80B	4	10000	4000
20,4	341	1,5	46,10	S062	90S	6	10000	4000
19,5	345	1,5	73,63	S063	80B	4	10000	4000
19,4	347	2,5	74,18	S083	80B	4	18000	7200
19,4	357	1,4	48,30	S062	90S	6	10000	4000
19,1	355	1,4	49,13	S063	90S	6	10000	4000
18,7	371	2,3	50,25	S082	90S	6	18000	7200
18,7	371	3,2	50,25	S102	90S	6	22000	9000
17,7	381	1,3	81,43	S063	80B	4	10000	4000
17,6	382	2,2	81,71	S083	80B	4	18000	7200
17,6	395	1,3	53,53	S062	90S	6	10000	4000
17,4	401	2,1	54,27	S082	90S	6	18000	7200
17,1	406	1,2	55,00	S062	90S	6	10000	4000
17,1	407	2,8	55,14	S102	90S	6	22000	9000
17,0	400	1,2	55,29	S063	90S	6	10000	4000
16,0	420	3,2	89,77	S103	80B	4	22000	9000
16,0	425	1,2	58,72	S063	90S	6	10000	4000
15,8	439	3,1	59,40	S102	90S	6	22000	9000
15,7	428	2,0	91,49	S083	80B	4	18000	7200
15,1	458	1,8	61,98	S082	90S	6	18000	7200
14,4	467	1,1	99,89	S063	80B	4	10000	4000
14,4	469	2,9	100,15	S103	80B	4	22000	9000
14,3	477	1,0	65,85	S063	90S	6	10000	4000
14,3	471	1,8	100,62	S083	80B	4	18000	7200
13,9	498	1,0	67,47	S062	90S	6	10000	4000
13,9	488	1,7	67,52	S083	90S	6	18000	7200
13,9	501	2,8	67,84	S102	90S	6	22000	9000
13,8	494	1,0	68,25	S063	90S	6	10000	4000
13,1	517	2,7	110,55	S103	80B	4	22000	9000
12,7	537	1,6	74,18	S083	90S	6	18000	7200
12,7	537	2,5	74,18	S103	90S	6	22000	9000
12,2	548	1,5	117,17	S083	80B	4	18000	7200
11,9	567	2,4	121,29	S103	80B	4	22000	9000
11,5	591	1,4	81,71	S083	90S	6	18000	7200

## 0,75 kW

n2 [rpm]	M2 [Nm]	fs	i	Gear reducer	Motor Size	Pole	Fr2 D [N]	Fr2 C-L [N]
11,5	589	2,3	81,39	S103	90S	6	22000	9000
11,2	602	1,4	128,73	S083	80B	4	18000	7200
11,2	602	2,3	128,73	S103	80B	4	22000	9000
10,6	638	1,3	136,34	S083	80B	4	18000	7200
10,5	649	2,1	89,77	S103	90S	6	22000	9000
10,3	662	1,3	91,49	S083	90S	6	18000	7200
10,2	660	2,1	141,24	S103	80B	4	22000	9000
9,4	724	1,8	100,15	S103	90S	6	22000	9000
9,3	728	1,1	100,62	S083	90S	6	18000	7200
9,1	743	1,1	158,76	S083	80B	4	18000	7200
8,5	800	1,7	110,55	S103	90S	6	22000	9000
8,4	814	3,2	112,52	S123	90S	6	30000	11200
8,3	813	1,7	173,78	S103	80B	4	22000	9000
8,1	830	3,1	177,53	S123	80B	4	30000	11200
8,0	848	1,0	117,17	S083	90S	6	18000	7200
7,8	878	1,5	121,29	S103	90S	6	22000	9000
7,7	893	2,9	123,33	S123	90S	6	30000	11200
7,7	882	1,5	188,51	S103	80B	4	22000	9000
7,4	910	2,8	194,59	S123	80B	4	30000	11200
7,3	931	1,5	128,73	S103	90S	6	22000	9000
7,2	941	2,7	130,04	S123	90S	6	30000	11200
7,1	950	1,4	203,11	S103	80B	4	22000	9000
7,0	968	2,7	133,78	S123	90S	6	30000	11200
6,7	1022	1,3	141,24	S103	90S	6	22000	9000
6,7	1008	2,6	215,60	S123	80B	4	30000	11200
6,5	1042	1,3	222,85	S103	80B	4	22000	9000
6,4	1051	1,3	224,76	S103	80B	4	22000	9000
6,2	1095	2,3	151,43	S123	90S	6	30000	11200
6,0	1117	2,3	238,93	S123	80B	4	30000	11200
5,6	1195	2,1	255,54	S123	80B	4	30000	11200
5,4	1257	1,1	173,78	S103	90S	6	22000	9000
5,3	1284	2,0	177,53	S123	90S	6	30000	11200
5,2	1282	1,0	274,20	S103	80B	4	22000	9000
5,1	1314	1,0	280,89	S103	80B	4	22000	9000
5,1	1310	2,0	280,10	S123	80B	4	30000	11200
5,0	1364	1,0	188,51	S103	90S	6	22000	9000
4,8	1408	1,8	194,59	S123	90S	6	30000	11200
4,7	1408	1,8	301,16	S123	80B	4	30000	11200
4,4	1560	1,6	215,60	S123	90S	6	30000	11200
4,2	1608	1,5	343,93	S123	80B	4	30000	11200
4,0	1728	1,5	238,93	S123	90S	6	30000	11200
3,7	1849	1,4	255,54	S123	90S	6	30000	11200

## 0,75 kW

n2 [rpm]	M2 [Nm]	fs	i	Gear reducer	Size	Motor Pole	Fr2 D [N]	Fr2 C-L [N]
3,4	2026	1,3	280,10	S123	90S	6	30000	11200
3,1	2179	1,2	301,16	S123	90S	6	30000	11200
2,7	2488	1,0	343,93	S123	90S	6	30000	11200

## 1,10 kW

n2 [rpm]	M2 [Nm]	fs	i	Gear reducer	Size	Motor Pole	Fr2 D [N]	Fr2 C-L [N]
165,8	61	2,0	8,63	S052	90S	4	3979	3979
128,4	79	1,7	11,14	S052	90S	4	4258	4258
119,2	85	1,7	12,00	S052	90S	4	4340	4340
110,1	92	1,3	8,63	S052	100LR	6	4421	4421
106,5	96	2,5	8,92	S062	100LR	6	8014	3206
104,7	96	1,6	13,66	S052	90S	4	4482	4482
99,5	102	2,5	9,55	S062	100LR	6	8166	3267
93,6	108	1,6	15,27	S052	90S	4	4606	4606
89,7	113	2,9	15,94	S062	90S	4	8458	3383
89,2	114	2,3	10,65	S062	100LR	6	8415	3366
88,5	114	2,8	16,16	S062	90S	4	8442	3377
87,8	115	1,5	16,29	S052	90S	4	4676	4676
85,3	119	1,1	11,14	S052	100LR	6	4702	4702
81,1	126	2,2	11,71	S062	100LR	6	8634	3454
79,2	129	1,1	12,00	S052	100LR	6	4782	4782
76,7	131	1,3	18,63	S052	90S	4	4846	4846
74,2	136	2,3	19,29	S062	90S	4	8902	3561
73,1	138	2,5	19,55	S062	90S	4	8934	3574
72,8	140	2,2	13,06	S062	100LR	6	8888	3555
72,5	139	1,2	19,73	S052	90S	4	4907	4907
71,1	143	2,1	13,36	S062	100LR	6	8941	3576
69,6	146	1,0	13,66	S052	100LR	6	4920	4920
68,0	149	1,2	21,04	S052	90S	4	4975	4975
66,4	152	1,2	21,53	S052	90S	4	4977	4977
62,2	164	1,1	15,27	S052	100LR	6	5036	5036
61,7	164	2,0	23,18	S062	90S	4	9336	3734
60,2	167	2,0	23,75	S062	90S	4	9394	3758
59,6	171	1,9	15,94	S062	100LR	6	9357	3743
59,4	170	1,1	24,07	S052	90S	4	5093	5093
58,8	173	1,9	16,16	S062	100LR	6	9390	3756
56,9	177	1,9	25,14	S062	90S	4	9529	3812
56,8	178	1,4	25,20	S052	90S	4	5160	5160
55,5	182	1,1	25,79	S052	90S	4	5183	5183
51,7	195	1,8	27,66	S062	90S	4	9705	3882
51,4	196	1,1	27,81	S052	90S	4	5236	5236

## 1,10 kW

n2 [rpm]	M2 [Nm]	fs	i	Gear reducer	Motor Size	Pole	Fr2 D [N]	Fr2 C-L [N]
49,9	204	2,7	19,03	S082	100LR	6	18000	5962
49,3	207	1,6	19,29	S062	100LR	6	9807	3923
48,6	210	1,6	19,55	S062	100LR	6	9839	3936
47,7	212	1,7	30,00	S062	90S	4	9898	3959
47,2	216	2,6	20,14	S082	100LR	6	18000	6067
43,9	230	1,1	32,55	S052	90S	4	5382	5382
43,3	233	1,1	33,00	S052	90S	4	5413	5413
42,9	237	2,4	22,13	S082	100LR	6	18000	6244
42,6	232	2,2	33,57	S063	90S	4	10000	4000
42,2	239	1,9	33,93	S062	90S	4	10000	4000
42,0	241	1,0	34,09	S052	90S	4	5440	5440
41,0	249	1,4	23,18	S062	100LR	6	10000	4000
41,0	246	3,5	34,91	S082	90S	4	18000	6378
40,2	251	3,4	35,50	S082	90S	4	18000	6411
40,0	255	1,3	23,75	S062	100LR	6	10000	4000
39,6	257	2,2	24,00	S082	100LR	6	18000	6402
39,2	252	1,2	36,50	S053	90S	4	5510	5510
39,1	258	1,1	36,55	S052	90S	4	5480	5480
39,1	258	2,0	36,57	S062	90S	4	10000	4000
37,9	261	2,0	37,77	S063	90S	4	10000	4000
37,8	270	1,3	25,14	S062	100LR	6	10000	4000
36,9	273	1,0	38,75	S052	90S	4	5542	5542
36,5	279	2,1	26,05	S082	100LR	6	18000	6563
36,4	278	1,8	39,38	S062	90S	4	10000	4000
35,8	281	1,1	39,90	S052	90S	4	5548	5548
35,8	277	1,8	40,05	S063	90S	4	10000	4000
35,8	283	3,0	40,05	S082	90S	4	18000	6650
34,8	293	2,2	27,29	S082	100LR	6	18000	6656
34,4	297	1,2	27,66	S062	100LR	6	10000	4000
33,2	304	2,8	43,05	S082	90S	4	18000	6754
33,1	307	2,1	28,67	S082	100LR	6	18000	6756
32,8	308	1,7	43,64	S062	90S	4	10000	4000
32,1	317	2,0	29,60	S082	100LR	6	18000	6821
31,7	322	1,1	30,00	S062	100LR	6	10000	4000
31,1	325	1,5	46,10	S062	90S	4	10000	4000
29,9	341	2,5	31,78	S082	100LR	6	18000	6968
29,6	341	1,5	48,30	S062	90S	4	10000	4000
29,1	340	1,5	49,13	S063	90S	4	10000	4000
28,5	354	2,3	50,25	S082	90S	4	18000	7120
28,5	354	3,4	50,25	S102	90S	4	22000	8809
28,0	364	1,3	33,93	S062	100LR	6	10000	4000
27,2	374	2,3	34,91	S082	100LR	6	18000	7166

## 1,10 kW

n2 [rpm]	M2 [Nm]	fs	i	Gear reducer	Motor Size	Pole	Fr2 D [N]	Fr2 C-L [N]
27,2	374	3,2	34,91	S102	100LR	6	22000	8870
26,8	381	2,2	35,50	S082	100LR	6	18000	7200
26,8	378	1,3	53,53	S062	90S	4	10000	4000
26,4	383	2,2	54,27	S082	90S	4	18000	7200
26,0	392	1,3	36,57	S062	100LR	6	10000	4000
26,0	388	1,3	55,00	S062	90S	4	10000	4000
25,9	382	1,3	55,29	S063	90S	4	10000	4000
25,9	389	2,9	55,14	S102	90S	4	22000	9000
24,8	411	3,1	38,30	S102	100LR	6	22000	9000
24,3	405	1,2	58,72	S063	90S	4	10000	4000
24,1	419	3,3	59,40	S102	90S	4	22000	9000
24,1	422	1,2	39,38	S062	100LR	6	10000	4000
23,7	429	2,0	40,05	S082	100LR	6	18000	7200
23,1	437	1,9	61,98	S082	90S	4	18000	7200
22,3	456	2,6	42,53	S102	100LR	6	22000	9000
22,1	462	1,8	43,05	S082	100LR	6	18000	7200
21,8	468	1,1	43,64	S062	100LR	6	10000	4000
21,7	455	1,1	65,85	S063	90S	4	10000	4000
21,6	472	2,4	44,00	S102	100LR	6	22000	9000
21,2	476	1,1	67,47	S062	90S	4	10000	4000
21,1	466	1,8	67,52	S083	90S	4	18000	7200
21,0	479	2,9	67,84	S102	90S	4	22000	9000
21,0	471	1,1	68,25	S063	90S	4	10000	4000
20,2	505	2,7	47,13	S102	100LR	6	22000	9000
19,4	508	1,0	73,63	S063	90S	4	10000	4000
19,3	512	1,6	74,18	S083	90S	4	18000	7200
19,3	512	2,7	74,18	S103	90S	4	22000	9000
18,9	539	1,6	50,25	S082	100LR	6	18000	7200
18,9	539	2,2	50,25	S102	100LR	6	22000	9000
17,6	562	2,4	81,39	S103	90S	4	22000	9000
17,5	582	1,5	54,27	S082	100LR	6	18000	7200
17,5	564	1,5	81,71	S083	90S	4	18000	7200
17,2	591	1,9	55,14	S102	100LR	6	22000	9000
16,0	637	2,1	59,40	S102	100LR	6	22000	9000
15,9	620	2,2	89,77	S103	90S	4	22000	9000
15,6	632	1,3	91,49	S083	90S	4	18000	7200
15,3	664	1,3	61,98	S082	100LR	6	18000	7200
14,3	692	2,0	100,15	S103	90S	4	22000	9000
14,2	695	1,2	100,62	S083	90S	4	18000	7200
14,1	709	1,2	67,52	S083	100LR	6	18000	7200
14,0	727	1,9	67,84	S102	100LR	6	22000	9000
13,4	746	3,1	71,07	S123	100LR	6	30000	11200



## 1,10 kW

n2 [rpm]	M2 [Nm]	fs	i	Gear reducer	Motor Size	Pole	Fr2 D [N]	Fr2 C-L [N]
13,0	764	1,8	110,55	S103	90S	4	22000	9000
12,8	779	1,1	74,18	S083	100LR	6	18000	7200
12,8	779	1,8	74,18	S103	100LR	6	22000	9000
12,7	777	3,3	112,52	S123	90S	4	30000	11200
12,2	809	1,1	117,17	S083	90S	4	18000	7200
12,1	824	2,8	78,46	S123	100LR	6	30000	11200
11,7	838	1,6	121,29	S103	90S	4	22000	9000
11,7	855	1,6	81,39	S103	100LR	6	22000	9000
11,6	852	3,0	123,33	S123	90S	4	30000	11200
11,1	889	1,5	128,73	S103	90S	4	22000	9000
11,0	898	2,9	130,04	S123	90S	4	30000	11200
10,9	916	2,8	87,27	S123	100LR	6	30000	11200
10,7	924	2,8	133,78	S123	90S	4	30000	11200
10,6	942	1,4	89,77	S103	100LR	6	22000	9000
10,1	975	1,4	141,24	S103	90S	4	22000	9000
9,5	1051	1,3	100,15	S103	100LR	6	22000	9000
9,4	1046	2,4	151,43	S123	90S	4	30000	11200
9,0	1112	2,3	105,91	S123	100LR	6	30000	11200
8,6	1161	1,2	110,55	S103	100LR	6	22000	9000
8,4	1181	2,2	112,52	S123	100LR	6	30000	11200
8,3	1200	1,1	173,78	S103	90S	4	22000	9000
8,1	1226	2,1	177,53	S123	90S	4	30000	11200
7,8	1273	1,1	121,29	S103	100LR	6	22000	9000
7,7	1295	2,0	123,33	S123	100LR	6	30000	11200
7,7	1296	3,1	123,44	S143	100LR	6	35000	18500
7,6	1302	1,0	188,51	S103	90S	4	22000	9000
7,4	1351	1,0	128,73	S103	100LR	6	22000	9000
7,3	1365	1,9	130,04	S123	100LR	6	30000	11200
7,3	1344	1,9	194,59	S123	90S	4	30000	11200
7,1	1404	1,8	133,78	S123	100LR	6	30000	11200
6,8	1466	2,8	139,64	S143	100LR	6	35000	18500
6,6	1489	1,7	215,60	S123	90S	4	30000	11200
6,4	1565	2,6	149,10	S143	100LR	6	35000	18500
6,3	1590	1,6	151,43	S123	100LR	6	30000	11200
6,0	1650	1,6	238,93	S123	90S	4	30000	11200
6,0	1653	2,0	157,49	S143	100LR	6	35000	18500
5,6	1765	1,5	255,54	S123	90S	4	30000	11200
5,5	1801	2,2	171,55	S143	100LR	6	35000	18500
5,4	1864	1,4	177,53	S123	100LR	6	30000	11200
5,4	1841	2,0	175,41	S143	100LR	6	35000	18500
5,1	1935	1,3	280,10	S123	90S	4	30000	11200
4,9	2043	1,3	194,59	S123	100LR	6	30000	11200

## 1,10 kW

n2 [rpm]	M2 [Nm]	fs	i	Gear reducer	Size	Motor Pole	Fr2 D [N]	Fr2 C-L [N]
4,8	2065	2,0	196,74	S143	100LR	6	35000	18500
4,7	2080	1,2	301,16	S123	90S	4	30000	11200
4,4	2263	1,1	215,60	S123	100LR	6	30000	11200
4,3	2337	1,7	222,57	S143	100LR	6	35000	18500
4,2	2375	1,1	343,93	S123	90S	4	30000	11200
4,0	2508	1,0	238,93	S123	100LR	6	30000	11200
4,0	2495	1,7	237,63	S143	100LR	6	35000	18500
3,5	2870	1,4	273,41	S143	100LR	6	35000	18500

## 1,50 kW

n2 [rpm]	M2 [Nm]	fs	i	Gear reducer	Size	Motor Pole	Fr2 D [N]	Fr2 C-L [N]
165,8	83	1,5	8,63	S052	90L	4	3857	3857
160,3	86	2,8	8,92	S062	90L	4	7030	2812
149,8	92	2,9	9,55	S062	90L	4	7162	2865
134,3	103	2,6	10,65	S062	90L	4	7378	2951
128,4	107	1,3	11,14	S052	90L	4	4099	4099
122,1	113	2,5	11,71	S062	90L	4	7526	3010
119,2	116	1,2	12,00	S052	90L	4	4181	4181
117,5	118	2,0	8,00	S062	100L	6	7596	3038
109,5	126	2,4	13,06	S062	90L	4	7745	3098
107,0	128	2,3	13,36	S062	90L	4	7834	3134
105,4	132	1,8	8,92	S062	100L	6	7815	3126
104,7	131	1,1	13,66	S052	90L	4	4298	4298
98,4	141	1,8	9,55	S062	100L	6	7974	3189
93,6	147	1,2	15,27	S052	90L	4	4378	4378
89,7	154	2,1	15,94	S062	90L	4	8194	3277
88,5	156	2,1	16,16	S062	90L	4	8193	3277
88,3	157	1,6	10,65	S062	100L	6	8195	3278
87,8	157	1,1	16,29	S052	90L	4	4434	4434
80,3	173	1,6	11,71	S062	100L	6	8388	3355
74,1	186	1,7	19,29	S062	90L	4	8553	3421
73,1	188	1,8	19,55	S062	90L	4	8566	3427
72,0	193	1,6	13,06	S062	100L	6	8587	3435
71,0	194	2,9	20,14	S082	90L	4	18000	5296
70,4	197	1,5	13,36	S062	100L	6	8632	3453
66,9	208	2,6	14,04	S082	100L	6	18000	5391
64,6	213	2,7	22,13	S082	90L	4	18000	5451
61,7	223	1,5	23,18	S062	90L	4	8951	3581
60,9	228	2,4	15,43	S082	100L	6	18000	5548
60,2	228	1,5	23,75	S062	90L	4	8972	3589
59,7	233	2,4	15,73	S082	100L	6	18000	5598

## 1,50 kW

n2 [rpm]	M2 [Nm]	fs	i	Gear reducer	Size	Motor Pole	Fr2 D [N]	Fr2 C-L [N]
59,5	231	2,5	24,00	S082	90L	4	18000	5624
59,0	235	1,4	15,94	S062	100L	6	9005	3602
58,2	239	1,4	16,16	S062	100L	6	9011	3605
56,9	242	1,4	25,14	S062	90L	4	9070	3628
56,7	242	1,0	25,20	S052	90L	4	4768	4768
54,9	251	2,2	26,05	S082	90L	4	18000	5765
54,4	256	2,2	17,29	S082	100L	6	18000	5743
52,4	262	2,5	27,29	S082	90L	4	18000	5846
51,7	266	1,3	27,66	S062	90L	4	9296	3719
49,8	276	2,3	28,67	S082	90L	4	18000	5934
49,4	281	2,0	19,03	S082	100L	6	18000	5911
48,7	285	1,1	19,29	S062	100L	6	9351	3740
48,3	285	2,3	29,60	S082	90L	4	18000	5953
48,1	289	1,1	19,55	S062	100L	6	9376	3750
47,7	289	1,2	30,00	S062	90L	4	9411	3764
46,7	298	1,9	20,14	S082	100L	6	18000	6012
45,0	306	2,8	31,78	S082	90L	4	18000	6081
42,6	316	1,6	33,57	S063	90L	4	9699	3880
42,5	327	1,8	22,13	S082	100L	6	18000	6183
42,2	327	1,4	33,93	S062	90L	4	9649	3860
41,0	336	2,5	34,91	S082	90L	4	18000	6253
40,2	342	2,5	35,50	S082	90L	4	18000	6324
39,2	355	1,6	24,00	S082	100L	6	18000	6333
39,1	352	1,5	36,57	S062	90L	4	9769	3908
37,9	356	1,4	37,77	S063	90L	4	9873	3949
37,4	368	3,5	38,30	S102	90L	4	22000	8020
36,3	379	1,3	39,38	S062	90L	4	9894	3958
36,1	385	1,5	26,05	S082	100L	6	18000	6488
35,8	377	1,3	40,05	S063	90L	4	9985	3994
35,8	385	2,2	40,05	S082	90L	4	18000	6525
34,5	404	1,6	27,29	S082	100L	6	18000	6597
33,6	409	3,0	42,53	S102	90L	4	22000	8281
33,2	414	2,0	43,05	S082	90L	4	18000	6691
32,8	424	1,5	28,67	S082	100L	6	18000	6672
32,7	420	1,2	43,64	S062	90L	4	10000	4000
32,5	423	2,6	44,00	S102	90L	4	22000	8332
31,7	437	1,5	29,60	S082	100L	6	18000	6754
31,4	441	2,4	29,87	S102	100L	6	22000	8420
31,1	444	1,1	46,10	S062	90L	4	10000	4000
30,3	453	3,0	47,13	S102	90L	4	22000	8544
29,6	465	1,1	48,30	S062	90L	4	10000	4000
29,6	470	1,8	31,78	S082	100L	6	18000	6872

## 1,50 kW

n2 [rpm]	M2 [Nm]	fs	i	Gear reducer	Size	Motor Pole	Fr2 D [N]	Fr2 C-L [N]
29,1	463	1,1	49,13	S063	90L	4	10000	4000
29,0	479	2,7	32,40	S102	100L	6	22000	8602
28,5	484	1,7	50,25	S082	90L	4	18000	6996
28,5	484	2,5	50,25	S102	90L	4	22000	8711
26,9	516	1,6	34,91	S082	100L	6	18000	7060
26,9	516	2,3	34,91	S102	100L	6	22000	8798
26,5	525	1,6	35,50	S082	100L	6	18000	7093
26,4	522	1,6	54,27	S082	90L	4	18000	7122
25,9	531	2,0	55,14	S102	90L	4	22000	8958
24,5	566	2,3	38,30	S102	100L	6	22000	9000
24,1	571	2,4	59,40	S102	90L	4	22000	9000
23,5	592	1,4	40,05	S082	100L	6	18000	7200
23,1	596	1,4	61,98	S082	90L	4	18000	7200
22,1	628	1,9	42,53	S102	100L	6	22000	9000
21,8	636	1,3	43,05	S082	100L	6	18000	7200
21,3	650	1,7	44,00	S102	100L	6	22000	9000
21,2	636	1,3	67,52	S083	90L	4	18000	7200
21,0	652	2,1	67,84	S102	90L	4	22000	9000
21,0	660	3,1	44,63	S122	100L	6	30000	11200
19,9	697	1,9	47,13	S102	100L	6	22000	9000
19,3	699	1,2	74,18	S083	90L	4	18000	7200
19,3	699	2,0	74,18	S103	90L	4	22000	9000
19,2	725	2,8	49,04	S122	100L	6	30000	11200
18,7	742	1,1	50,25	S082	100L	6	18000	7200
18,7	742	1,6	50,25	S102	100L	6	22000	9000
17,5	770	1,1	81,71	S083	90L	4	18000	7200
17,5	767	1,8	81,39	S103	90L	4	22000	9000
17,5	794	2,8	53,75	S122	100L	6	30000	11200
17,3	802	1,1	54,27	S082	100L	6	18000	7200
17,0	815	1,4	55,14	S102	100L	6	22000	9000
15,9	845	1,6	89,77	S103	90L	4	22000	9000
15,8	878	1,6	59,40	S102	100L	6	22000	9000
14,5	938	2,5	64,84	S123	100L	6	30000	11200
14,3	943	1,4	100,15	S103	90L	4	22000	9000
14,3	976	2,6	66,00	S122	100L	6	30000	11200
13,8	1002	1,3	67,84	S102	100L	6	22000	9000
13,2	1028	2,2	71,07	S123	100L	6	30000	11200
12,9	1041	1,3	110,55	S103	90L	4	22000	9000
12,7	1060	2,4	112,52	S123	90L	4	30000	11200
12,6	1073	1,3	74,18	S103	100L	6	22000	9000
12,0	1135	2,0	78,46	S123	100L	6	30000	11200
11,8	1150	3,1	79,45	S143	100L	6	35000	18500

## 1,50 kW

n2 [rpm]	M2 [Nm]	fs	i	Gear reducer	Size	Motor Pole	Fr2 D [N]	Fr2 C-L [N]
11,7	1143	1,2	121,29	S103	90L	4	22000	9000
11,6	1161	2,2	123,33	S123	90L	4	30000	11200
11,5	1178	1,2	81,39	S103	100L	6	22000	9000
11,1	1212	1,1	128,73	S103	90L	4	22000	9000
11,0	1225	2,1	130,04	S123	90L	4	30000	11200
10,8	1263	2,0	87,27	S123	100L	6	30000	11200
10,7	1260	2,0	133,78	S123	90L	4	30000	11200
10,5	1299	1,0	89,77	S103	100L	6	22000	9000
10,1	1330	1,0	141,24	S103	90L	4	22000	9000
9,5	1430	2,7	98,81	S143	100L	6	35000	18500
9,4	1426	1,8	151,43	S123	90L	4	30000	11200
8,9	1533	1,7	105,91	S123	100L	6	30000	11200
8,5	1592	2,5	110,05	S143	100L	6	35000	18500
8,4	1628	1,6	112,52	S123	100L	6	30000	11200
8,1	1672	1,5	177,53	S123	90L	4	30000	11200
7,6	1786	2,3	123,44	S143	100L	6	35000	18500
7,6	1785	1,4	123,33	S123	100L	6	30000	11200
7,4	1833	1,4	194,59	S123	90L	4	30000	11200
7,2	1882	1,4	130,04	S123	100L	6	30000	11200
7,0	1936	1,3	133,78	S123	100L	6	30000	11200
6,8	2020	2,0	139,64	S143	100L	6	35000	18500
6,6	2031	1,2	215,60	S123	90L	4	30000	11200
6,3	2157	1,9	149,10	S143	100L	6	35000	18500
6,2	2192	1,2	151,43	S123	100L	6	30000	11200
6,0	2279	1,4	157,49	S143	100L	6	35000	18500
5,9	2250	1,1	238,93	S123	90L	4	30000	11200
5,6	2407	1,0	255,54	S123	90L	4	30000	11200
5,5	2482	1,6	171,55	S143	100L	6	35000	18500
5,4	2538	1,4	175,41	S143	100L	6	35000	18500
4,8	2846	1,4	196,74	S143	100L	6	35000	18500
4,2	3220	1,2	222,57	S143	100L	6	35000	18500
3,9	3438	1,2	237,63	S143	100L	6	35000	18500
3,4	3956	1,0	273,41	S143	100L	6	35000	18500

## 2,20 kW

n2 [rpm]	M2 [Nm]	fs	i	Gear reducer	Size	Motor Pole	Fr2 D [N]	Fr2 C-L [N]
180,0	113	2,2	8,00	S062	100LA	4	6516	2606
166,9	121	1,0	8,63	S052	100LA	4	3631	3631
161,4	125	1,9	8,92	S062	100LA	4	6747	2699
150,9	134	1,9	9,55	S062	100LA	4	6861	2744
135,3	149	1,8	10,65	S062	100LA	4	6998	2799

## 2,20 kW

n2 [rpm]	M2 [Nm]	fs	i	Gear reducer	Motor Size	Pole	Fr2 D [N]	Fr2 C-L [N]
130,8	156	2,5	7,34	S082	112M	6	15160	4332
123,0	164	1,7	11,71	S062	100LA	4	7158	2863
120,0	170	1,4	8,00	S062	112M	6	7211	2885
119,0	171	2,5	8,06	S082	112M	6	15756	4502
110,3	183	1,7	13,06	S062	100LA	4	7362	2945
107,8	188	1,6	13,36	S062	100LA	4	7377	2951
107,6	189	1,3	8,92	S062	112M	6	7391	2956
102,5	197	2,8	14,04	S082	100LA	4	16337	4668
100,6	203	1,3	9,55	S062	112M	6	7501	3000
96,5	211	2,3	9,94	S082	112M	6	16791	4797
93,3	216	2,6	15,43	S082	100LA	4	16844	4813
91,5	220	2,5	15,73	S082	100LA	4	16941	4840
90,3	223	1,4	15,94	S062	100LA	4	7697	3079
90,2	226	1,2	10,65	S062	112M	6	7675	3070
89,1	227	1,4	16,16	S062	100LA	4	7730	3092
83,3	243	2,3	17,29	S082	100LA	4	17469	4991
82,7	246	2,1	11,61	S082	112M	6	17588	5025
82,0	248	1,1	11,71	S062	112M	6	7823	3129
75,7	267	2,1	19,03	S082	100LA	4	17898	5114
75,3	271	2,0	12,75	S082	112M	6	17917	5119
75,3	271	2,7	12,75	S102	112M	6	22000	6338
74,6	270	1,2	19,29	S062	100LA	4	8001	3200
73,6	274	1,2	19,55	S062	100LA	4	8021	3208
73,5	277	1,1	13,06	S062	112M	6	8031	3213
71,8	284	1,0	13,36	S062	112M	6	8064	3225
71,5	282	2,0	20,14	S082	100LA	4	18000	5211
68,3	298	1,9	14,04	S082	112M	6	18000	5317
65,1	310	1,9	22,13	S082	100LA	4	18000	5325
62,2	327	1,7	15,43	S082	112M	6	18000	5465
62,2	327	2,8	15,43	S102	112M	6	22000	6786
62,1	325	1,0	23,18	S062	100LA	4	8240	3296
61,0	334	1,7	15,73	S082	112M	6	18000	5445
60,6	333	1,0	23,75	S062	100LA	4	8273	3309
60,0	337	1,7	24,00	S082	100LA	4	18000	5487
55,7	365	2,6	17,21	S102	112M	6	22000	7016
55,5	367	1,5	17,29	S082	112M	6	18000	5649
55,3	365	1,6	26,05	S082	100LA	4	18000	5607
52,7	383	1,7	27,29	S082	100LA	4	18000	5706
50,5	404	1,4	19,03	S082	112M	6	18000	5753
50,5	403	2,5	19,00	S102	112M	6	22000	7159
50,2	402	1,6	28,67	S082	100LA	4	18000	5764
48,6	415	1,6	29,60	S082	100LA	4	18000	5817

## 2,20 kW

n2 [rpm]	M2 [Nm]	fs	i	Gear reducer	Motor Size	Pole	Fr2 D [N]	Fr2 C-L [N]
48,2	419	2,6	29,87	S102	100LA	4	22000	7234
47,7	427	1,3	20,14	S082	112M	6	18000	5900
46,1	442	2,3	20,83	S102	112M	6	22000	7360
45,3	445	1,9	31,78	S082	100LA	4	18000	5912
44,5	454	2,9	32,40	S102	100LA	4	22000	7414
43,4	470	1,2	22,13	S082	112M	6	18000	6058
43,4	470	2,2	22,13	S102	112M	6	22000	7566
41,3	489	1,7	34,91	S082	100LA	4	18000	6118
41,3	489	2,4	34,91	S102	100LA	4	22000	7644
40,6	498	1,7	35,50	S082	100LA	4	18000	6135
40,1	510	1,1	24,00	S082	112M	6	18000	6196
39,5	515	2,1	24,28	S102	112M	6	22000	7777
39,4	512	1,0	36,57	S062	100LA	4	8714	3486
37,6	536	2,4	38,30	S102	100LA	4	22000	7857
36,9	553	1,0	26,05	S082	112M	6	18000	6337
36,5	559	1,9	26,33	S102	112M	6	22000	7892
36,0	561	1,5	40,05	S082	100LA	4	18000	6355
35,2	579	1,1	27,29	S082	112M	6	18000	6418
33,9	596	2,0	42,53	S102	100LA	4	22000	8070
33,5	604	1,4	43,05	S082	100LA	4	18000	6481
33,4	608	1,0	28,67	S082	112M	6	18000	6505
32,7	617	1,8	44,00	S102	100LA	4	22000	8167
32,4	628	1,0	29,60	S082	112M	6	18000	6505
32,3	626	3,3	44,63	S122	100LA	4	30000	11200
32,1	634	1,7	29,87	S102	112M	6	22000	8189
30,5	660	2,1	47,13	S102	100LA	4	22000	8332
30,2	674	1,2	31,78	S082	112M	6	18000	6686
29,6	688	1,9	32,40	S102	112M	6	22000	8385
29,4	687	2,9	49,04	S122	100LA	4	30000	11200
28,7	704	1,2	50,25	S082	100LA	4	18000	6755
28,7	704	1,7	50,25	S102	100LA	4	22000	8506
27,5	741	1,1	34,91	S082	112M	6	18000	6853
27,5	741	1,7	34,91	S102	112M	6	22000	8645
27,0	754	1,1	35,50	S082	112M	6	18000	6883
26,8	753	3,0	53,75	S122	100LA	4	30000	11200
26,5	760	1,1	54,27	S082	100LA	4	18000	6842
26,1	773	1,4	55,14	S102	100LA	4	22000	8718
25,1	813	1,6	38,30	S102	112M	6	22000	8797
24,3	832	1,7	59,40	S102	100LA	4	22000	8852
24,0	850	1,0	40,05	S082	112M	6	18000	7041
23,3	872	2,9	41,07	S122	112M	6	30000	11200
22,6	902	1,3	42,53	S102	112M	6	22000	9000

## 2,20 kW

n2 [rpm]	M2 [Nm]	fs	i	Gear reducer	Motor Size	Pole	Fr2 D [N]	Fr2 C-L [N]
22,2	889	2,6	64,84	S123	100LA	4	30000	11200
22,0	925	2,8	43,60	S122	112M	6	30000	11200
21,8	934	1,2	44,00	S102	112M	6	22000	9000
21,8	925	2,8	66,00	S122	100LA	4	30000	11200
21,5	947	2,2	44,63	S122	112M	6	30000	11200
21,2	951	1,4	67,84	S102	100LA	4	22000	9000
20,4	1000	1,4	47,13	S102	112M	6	22000	9000
20,2	975	2,3	71,07	S123	100LA	4	30000	11200
19,6	1041	2,0	49,04	S122	112M	6	30000	11200
19,4	1018	1,3	74,18	S103	100LA	4	22000	9000
19,1	1067	1,1	50,25	S102	112M	6	22000	9000
18,3	1077	2,1	78,46	S123	100LA	4	30000	11200
18,1	1090	3,3	79,45	S143	100LA	4	35000	18500
17,9	1141	1,9	53,75	S122	112M	6	30000	11200
17,7	1116	1,2	81,39	S103	100LA	4	22000	9000
16,5	1197	2,1	87,27	S123	100LA	4	30000	11200
16,2	1260	1,0	59,40	S102	112M	6	22000	9000
16,0	1231	1,1	89,77	S103	100LA	4	22000	9000
14,8	1344	3,0	64,68	S143	112M	6	35000	18500
14,8	1348	1,8	64,84	S123	112M	6	30000	11200
14,6	1356	2,8	98,81	S143	100LA	4	35000	18500
14,5	1401	1,8	66,00	S122	112M	6	30000	11200
14,4	1374	1,0	100,15	S103	100LA	4	22000	9000
13,9	1435	2,9	69,06	S143	112M	6	35000	18500
13,6	1453	1,8	105,91	S123	100LA	4	30000	11200
13,5	1477	1,6	71,07	S123	112M	6	30000	11200
13,1	1510	2,6	110,05	S143	100LA	4	35000	18500
12,8	1543	1,6	112,52	S123	100LA	4	30000	11200
12,3	1630	1,4	78,46	S123	112M	6	30000	11200
12,1	1651	2,2	79,45	S143	112M	6	35000	18500
11,7	1691	1,5	123,33	S123	100LA	4	30000	11200
11,6	1693	2,4	123,44	S143	100LA	4	35000	18500
11,1	1784	1,4	130,04	S123	100LA	4	30000	11200
11,0	1814	1,4	87,27	S123	112M	6	30000	11200
10,8	1835	1,4	133,78	S123	100LA	4	30000	11200
10,3	1916	2,1	139,64	S143	100LA	4	35000	18500
9,7	2053	1,8	98,81	S143	112M	6	35000	18500
9,6	2045	2,0	149,10	S143	100LA	4	35000	18500
9,5	2077	1,2	151,43	S123	100LA	4	30000	11200
9,1	2201	1,2	105,91	S123	112M	6	30000	11200
9,1	2160	1,5	157,49	S143	100LA	4	35000	18500
8,7	2287	1,8	110,05	S143	112M	6	35000	18500



## 6.1 S GEARED MOTORS (50Hz)

## 2,20 kW

n2 [rpm]	M2 [Nm]	fs	i	Gear reducer	Motor Size	Pole	Fr2 D [N]	Fr2 C-L [N]
8,5	2338	1,1	112,52	S123	112M	6	30000	11200
8,4	2353	1,7	171,55	S143	100LA	4	35000	18500
8,2	2406	1,5	175,41	S143	100LA	4	35000	18500
8,1	2435	1,1	177,53	S123	100LA	4	30000	11200
7,7	2565	1,5	123,44	S143	112M	6	35000	18500
7,4	2698	1,5	196,74	S143	100LA	4	35000	18500
6,9	2902	1,4	139,64	S143	112M	6	35000	18500
6,5	3053	1,3	222,57	S143	100LA	4	35000	18500
6,4	3098	1,3	149,10	S143	112M	6	35000	18500
6,0	3259	1,3	237,63	S143	100LA	4	35000	18500
5,6	3564	1,1	171,55	S143	112M	6	35000	18500
5,3	3750	1,1	273,41	S143	100LA	4	35000	18500

## 3,00 kW

n2 [rpm]	M2 [Nm]	fs	i	Gear reducer	Motor Size	Pole	Fr2 D [N]	Fr2 C-L [N]
197,6	139	2,8	7,34	S082	112MS	4	13221	3777
181,3	152	1,6	8,00	S062	112MS	4	6271	2508
179,8	153	2,8	8,06	S082	112MS	4	13607	3888
162,5	169	1,4	8,92	S062	112MS	4	6425	2570
151,9	181	1,4	9,55	S062	112MS	4	6519	2608
145,8	189	2,5	9,94	S082	112MS	4	14500	4143
136,2	202	1,3	10,65	S062	112MS	4	6668	2667
132,2	210	1,9	7,34	S082	132S	6	14928	4265
124,9	220	2,3	11,61	S082	112MS	4	15188	4339
123,8	222	1,3	11,71	S062	112MS	4	6794	2718
120,3	231	1,9	8,06	S082	132S	6	15352	4386
120,3	231	2,6	8,06	S102	132S	6	19006	5430
113,7	242	2,2	12,75	S082	112MS	4	15618	4462
111,0	248	1,2	13,06	S062	112MS	4	6932	2773
109,6	253	2,5	8,85	S102	132S	6	19620	5606
108,6	253	1,2	13,36	S062	112MS	4	6960	2784
103,2	266	2,0	14,04	S082	112MS	4	16070	4591
97,5	285	1,6	9,94	S082	132S	6	16379	4680
94,0	293	1,9	15,43	S082	112MS	4	16517	4719
92,2	298	1,9	15,73	S082	112MS	4	16609	4745
91,0	302	1,1	15,94	S062	112MS	4	7164	2866
89,7	307	1,1	16,16	S062	112MS	4	7179	2872
89,1	312	2,2	10,88	S102	132S	6	20837	5954
84,2	326	2,9	17,21	S102	112MS	4	21205	6059
83,8	328	1,7	17,29	S082	112MS	4	17072	4878
83,6	333	1,5	11,61	S082	132S	6	17128	4894

## 3,00 kW

n2 [rpm]	M2 [Nm]	fs	i	Gear reducer	Motor Size	Pole	Fr2 D [N]	Fr2 C-L [N]
76,3	360	2,8	19,00	S102	112MS	4	21848	6242
76,2	361	1,5	19,03	S082	112MS	4	17545	5013
76,1	365	1,5	12,75	S082	132S	6	17593	5027
76,1	365	2,0	12,75	S102	132S	6	21927	6265
72,0	382	1,5	20,14	S082	112MS	4	17830	5094
69,6	395	2,6	20,83	S102	112MS	4	22000	6417
69,3	401	2,2	13,99	S102	132S	6	22000	6422
69,1	402	1,4	14,04	S082	132S	6	18000	5151
65,5	420	1,4	22,13	S082	112MS	4	18000	5231
65,5	420	2,4	22,13	S102	112MS	4	22000	6534
62,9	442	1,3	15,43	S082	132S	6	18000	5288
62,9	442	2,0	15,43	S102	132S	6	22000	6612
61,6	450	1,2	15,73	S082	132S	6	18000	5331
60,4	455	1,3	24,00	S082	112MS	4	18000	5351
59,7	460	2,3	24,28	S102	112MS	4	22000	6716
56,4	493	1,9	17,21	S102	132S	6	22000	6829
56,1	495	1,1	17,29	S082	132S	6	18000	5456
55,7	494	1,2	26,05	S082	112MS	4	18000	5472
55,1	499	2,2	26,33	S102	112MS	4	22000	6879
53,1	518	1,3	27,29	S082	112MS	4	18000	5542
51,0	545	1,0	19,03	S082	132S	6	18000	5615
51,0	544	1,8	19,00	S102	132S	6	22000	7051
50,6	544	1,2	28,67	S082	112MS	4	18000	5617
49,0	561	1,2	29,60	S082	112MS	4	18000	5665
48,5	567	1,9	29,87	S102	112MS	4	22000	7137
46,6	597	1,7	20,83	S102	132S	6	22000	7241
45,6	603	1,4	31,78	S082	112MS	4	18000	5773
44,8	615	2,1	32,40	S102	112MS	4	22000	7307
43,8	634	1,6	22,13	S102	132S	6	22000	7346
43,6	637	3,7	22,24	S142	132S	6	35000	18500
41,5	662	1,3	34,91	S082	112MS	4	18000	5917
41,5	662	1,8	34,91	S102	112MS	4	22000	7466
40,8	673	1,3	35,50	S082	112MS	4	18000	5943
40,0	695	1,6	24,28	S102	132S	6	22000	7543
38,4	723	2,9	25,26	S142	132S	6	35000	18500
37,9	727	1,8	38,30	S102	112MS	4	22000	7665
36,9	754	1,4	26,33	S102	132S	6	22000	7742
36,2	760	1,1	40,05	S082	112MS	4	18000	6129
35,3	779	3,3	41,07	S122	112MS	4	30000	11167
34,3	812	2,9	28,33	S142	132S	6	35000	18500
34,1	807	1,5	42,53	S102	112MS	4	22000	7894
34,0	819	2,6	28,60	S122	132S	6	30000	11200

## 3,00 kW

n2 [rpm]	M2 [Nm]	fs	i	Gear reducer	Motor Size	Pole	Fr2 D [N]	Fr2 C-L [N]
33,7	817	1,0	43,05	S082	112MS	4	18000	6240
33,3	827	3,1	43,60	S122	112MS	4	30000	11200
33,0	835	1,3	44,00	S102	112MS	4	22000	7969
32,5	847	2,4	44,63	S122	112MS	4	30000	11200
32,4	855	1,2	29,87	S102	132S	6	22000	8018
31,8	874	2,9	30,51	S122	132S	6	30000	11200
30,8	894	1,5	47,13	S102	112MS	4	22000	8122
30,3	918	3,4	32,05	S142	132S	6	35000	18500
29,9	928	1,4	32,40	S102	132S	6	22000	8200
29,6	938	2,7	32,76	S122	132S	6	30000	11200
29,6	930	2,2	49,04	S122	112MS	4	30000	11200
29,0	958	2,6	33,44	S122	132S	6	30000	11200
28,9	953	1,3	50,25	S102	112MS	4	22000	8266
28,3	980	3,4	34,22	S142	132S	6	35000	18500
27,8	1000	1,2	34,91	S102	132S	6	22000	8344
27,6	1009	2,5	35,20	S122	132S	6	30000	11200
27,0	1020	2,2	53,75	S122	112MS	4	30000	11200
26,3	1046	1,1	55,14	S102	112MS	4	22000	8476
25,3	1097	1,2	38,30	S102	132S	6	22000	8554
24,4	1127	1,2	59,40	S102	112MS	4	22000	8647
23,6	1176	2,2	41,07	S122	132S	6	30000	11200
22,4	1204	1,9	64,84	S123	112MS	4	30000	11200
22,4	1201	3,4	64,68	S143	112MS	4	35000	18500
22,2	1249	2,1	43,60	S122	132S	6	30000	11200
22,0	1252	2,0	66,00	S122	112MS	4	30000	11200
21,7	1278	1,6	44,63	S122	132S	6	30000	11200
21,4	1287	1,1	67,84	S102	112MS	4	22000	8953
21,2	1284	2,6	45,77	S143	132S	6	35000	18500
21,0	1283	3,2	69,06	S143	112MS	4	35000	18500
20,6	1350	1,0	47,13	S102	132S	6	22000	9000
20,4	1320	1,7	71,07	S123	112MS	4	30000	11200
19,8	1404	1,4	49,04	S122	132S	6	30000	11200
19,0	1429	2,6	50,97	S143	132S	6	35000	18500
18,5	1457	1,6	78,46	S123	112MS	4	30000	11200
18,2	1476	2,4	79,45	S143	112MS	4	35000	18500
18,0	1539	1,4	53,75	S122	132S	6	30000	11200
17,0	1603	2,5	57,17	S143	132S	6	35000	18500
16,6	1621	1,6	87,27	S123	112MS	4	30000	11200
15,0	1818	1,3	64,84	S123	132S	6	30000	11200
15,0	1814	2,2	64,68	S143	132S	6	35000	18500
14,7	1835	2,1	98,81	S143	112MS	4	35000	18500
14,7	1890	1,3	66,00	S122	132S	6	30000	11200

## 3,00 kW

n2 [rpm]	M2 [Nm]	fs	i	Gear reducer	Size	Motor	Pole	Fr2 D [N]	Fr2 C-L [N]
14,0	1937	2,1	69,06	S143	132S		6	35000	18500
13,7	1967	1,3	105,91	S123	112MS		4	30000	11200
13,6	1993	1,1	71,07	S123	132S		6	30000	11200
13,2	2044	2,0	110,05	S143	112MS		4	35000	18500
13,2	2065	3,2	73,63	S153	132S		6	40000	19400
12,9	2090	1,2	112,52	S123	112MS		4	30000	11200
12,3	2200	1,0	78,46	S123	132S		6	30000	11200
12,2	2228	1,6	79,45	S143	132S		6	35000	18500
11,8	2291	1,1	123,33	S123	112MS		4	30000	11200
11,7	2293	1,8	123,44	S143	112MS		4	35000	18500
11,2	2415	1,1	130,04	S123	112MS		4	30000	11200
11,1	2448	1,0	87,27	S123	132S		6	30000	11200
11,1	2445	2,5	87,16	S153	132S		6	40000	19400
10,8	2485	1,0	133,78	S123	112MS		4	30000	11200
10,4	2594	1,6	139,64	S143	112MS		4	35000	18500
10,0	2728	2,5	97,27	S153	132S		6	40000	19400
9,8	2771	1,4	98,81	S143	132S		6	35000	18500
9,7	2769	1,5	149,10	S143	112MS		4	35000	18500
9,2	2925	1,1	157,49	S143	112MS		4	35000	18500
8,8	3086	1,3	110,05	S143	132S		6	35000	18500
8,7	3131	2,5	111,67	S153	132S		6	40000	19400
8,5	3186	1,3	171,55	S143	112MS		4	35000	18500
8,3	3258	1,1	175,41	S143	112MS		4	35000	18500
7,9	3462	1,2	123,44	S143	132S		6	35000	18500
7,9	3437	2,3	122,57	S153	132S		6	40000	19400
7,4	3654	1,1	196,74	S143	112MS		4	35000	18500
7,0	3904	2,0	139,21	S153	132S		6	40000	19400
7,0	3916	1,0	139,64	S143	132S		6	35000	18500
6,3	4319	1,4	154,02	S153	132S		6	40000	19400
6,1	4487	1,5	160,02	S153	132S		6	40000	19400
5,5	4958	1,4	176,81	S153	132S		6	40000	19400
5,0	5442	1,4	194,06	S153	132S		6	40000	19400
4,4	6181	1,3	220,42	S153	132S		6	40000	19400

## 4,00 kW

n2 [rpm]	M2 [Nm]	fs	i	Gear reducer	Size	Motor	Pole	Fr2 D [N]	Fr2 C-L [N]
197,6	186	2,1	7,34	S082	112M		4	13068	3734
181,2	203	1,2	8,00	S062	112M		4	5958	2383
179,8	204	2,1	8,06	S082	112M		4	13439	3840
163,9	223	2,9	8,85	S102	112M		4	17159	4903
162,5	226	1,1	8,92	S062	112M		4	6068	2427

## 4,00 kW

n2 [rpm]	M2 [Nm]	fs	i	Gear reducer	Motor Size	Pole	Fr2 D [N]	Fr2 C-L [N]
151,9	241	1,1	9,55	S062	112M	4	6144	2458
145,8	251	1,9	9,94	S082	112M	4	14323	4092
133,2	275	2,5	10,88	S102	112M	4	18281	5223
132,2	280	1,4	7,34	S082	132MA	6	14742	4212
124,9	294	1,7	11,61	S082	112M	4	14947	4271
120,3	308	1,4	8,06	S082	132MA	6	15099	4314
120,3	308	2,0	8,06	S102	132MA	6	18806	5373
113,7	323	1,7	12,75	S082	112M	4	15384	4395
113,7	323	2,2	12,75	S102	112M	4	19176	5479
109,6	338	1,9	8,85	S102	132MA	6	19338	5525
103,6	354	2,4	13,99	S102	112M	4	19676	5622
103,2	356	1,5	14,04	S082	112M	4	15808	4517
97,5	380	1,2	9,94	S082	132MA	6	16064	4590
93,9	390	1,4	15,43	S082	112M	4	16228	4637
93,9	390	2,3	15,43	S102	112M	4	20299	5800
92,2	398	1,4	15,73	S082	112M	4	16282	4652
89,1	416	1,6	10,88	S102	132MA	6	20568	5876
84,2	435	2,2	17,21	S102	112M	4	20922	5978
83,8	437	1,3	17,29	S082	112M	4	16713	4775
83,6	443	1,1	11,61	S082	132MA	6	16760	4789
76,3	481	2,1	19,00	S102	112M	4	21536	6153
76,2	482	1,1	19,03	S082	112M	4	17182	4909
76,1	487	1,1	12,75	S082	132MA	6	17142	4898
76,1	487	1,5	12,75	S102	132MA	6	21543	6155
72,0	509	1,1	20,14	S082	112M	4	17444	4984
69,6	527	1,9	20,83	S102	112M	4	22000	6319
69,3	534	1,6	13,99	S102	132MA	6	22000	6342
69,1	536	1,0	14,04	S082	132MA	6	17635	5039
68,0	545	3,2	14,27	S142	132MA	6	35000	18500
65,5	560	1,0	22,13	S082	112M	4	17848	5100
65,5	560	1,8	22,13	S102	112M	4	22000	6430
62,9	589	1,5	15,43	S102	132MA	6	22000	6503
60,6	612	3,1	16,01	S142	132MA	6	35000	18500
59,7	614	1,8	24,28	S102	112M	4	22000	6602
56,4	657	1,4	17,21	S102	132MA	6	22000	6727
55,1	666	1,6	26,33	S102	112M	4	22000	6769
53,6	692	3,1	18,11	S142	132MA	6	35000	18500
51,1	726	1,4	19,00	S102	132MA	6	22000	6895
50,2	738	3,1	19,33	S142	132MA	6	35000	18500
48,5	756	1,4	29,87	S102	112M	4	22000	7011
47,5	772	3,3	30,51	S122	112M	4	30000	10053
46,6	796	1,3	20,83	S102	132MA	6	22000	7092

## 4,00 kW

n2 [rpm]	M2 [Nm]	fs	i	Gear reducer	Motor Size	Pole	Fr2 D [N]	Fr2 C-L [N]
45,7	812	2,5	21,25	S122	132MA	6	30000	10184
45,6	804	1,1	31,78	S082	112M	4	18000	5584
44,7	819	1,6	32,40	S102	112M	4	22000	7169
44,3	828	3,1	32,76	S122	112M	4	30000	10269
43,9	845	1,2	22,13	S102	132MA	6	22000	7210
43,6	849	2,8	22,24	S142	132MA	6	35000	18500
43,4	846	3,0	33,44	S122	112M	4	30000	10327
43,3	854	2,3	22,37	S122	132MA	6	30000	10326
41,6	890	2,3	23,29	S122	132MA	6	30000	10439
41,5	883	1,4	34,91	S102	112M	4	22000	7302
41,2	890	2,9	35,20	S122	112M	4	30000	10451
39,9	927	1,2	24,28	S102	132MA	6	22000	7392
38,4	965	2,2	25,26	S142	132MA	6	35000	18500
37,9	969	1,3	38,30	S102	112M	4	22000	7486
37,1	999	2,2	26,15	S122	132MA	6	30000	10736
36,8	1006	1,1	26,33	S102	132MA	6	22000	7533
35,3	1039	2,5	41,07	S122	112M	4	30000	10886
34,2	1082	2,2	28,33	S142	132MA	6	35000	18500
34,1	1076	1,1	42,53	S102	112M	4	22000	7694
33,9	1092	2,0	28,60	S122	132MA	6	30000	10988
33,3	1103	2,3	43,60	S122	112M	4	30000	11056
32,5	1129	1,8	44,63	S122	112M	4	30000	11142
31,8	1165	2,2	30,51	S122	132MA	6	30000	11172
31,7	1133	3,0	45,77	S143	112M	4	35000	18500
30,8	1192	1,1	47,13	S102	112M	4	22000	7901
30,3	1224	2,5	32,05	S142	132MA	6	35000	18500
29,9	1237	1,0	32,40	S102	132MA	6	22000	7968
29,6	1240	1,6	49,04	S122	112M	4	30000	11200
29,6	1251	2,0	32,76	S122	132MA	6	30000	11200
29,0	1277	2,0	33,44	S122	132MA	6	30000	11200
28,5	1262	3,0	50,97	S143	112M	4	35000	18500
28,3	1307	2,6	34,22	S142	132MA	6	35000	18500
27,6	1344	1,9	35,20	S122	132MA	6	30000	11200
27,0	1360	1,6	53,75	S122	112M	4	30000	11200
25,4	1416	2,8	57,17	S143	112M	4	35000	18500
24,6	1504	2,5	39,38	S142	132MA	6	35000	18500
23,6	1568	1,6	41,07	S122	132MA	6	30000	11200
22,4	1606	1,4	64,84	S123	112M	4	30000	11200
22,4	1602	2,5	64,68	S143	112M	4	35000	18500
22,2	1665	1,5	43,60	S122	132MA	6	30000	11200
22,0	1669	1,5	66,00	S122	112M	4	30000	11200
21,7	1704	1,2	44,63	S122	132MA	6	30000	11200

## 4,00 kW

n2 [rpm]	M2 [Nm]	fs	i	Gear reducer	Size	Motor Pole	Fr2 D [N]	Fr2 C-L [N]
21,2	1711	2,0	45,77	S143	132MA	6	35000	18500
21,0	1710	2,4	69,06	S143	112M	4	35000	18500
20,4	1760	1,3	71,07	S123	112M	4	30000	11200
19,8	1873	1,1	49,04	S122	132MA	6	30000	11200
19,0	1906	2,0	50,97	S143	132MA	6	35000	18500
18,5	1944	1,2	78,46	S123	112M	4	30000	11200
18,2	1968	1,8	79,45	S143	112M	4	35000	18500
18,1	2053	1,1	53,75	S122	132MA	6	30000	11200
17,0	2138	1,9	57,17	S143	132MA	6	35000	18500
16,6	2161	1,2	87,27	S123	112M	4	30000	11200
15,2	2395	3,1	64,05	S153	132MA	6	40000	19400
15,0	2418	1,7	64,68	S143	132MA	6	35000	18500
14,7	2447	1,5	98,81	S143	112M	4	35000	18500
14,7	2520	1,0	66,00	S122	132MA	6	30000	11200
14,0	2582	1,6	69,06	S143	132MA	6	35000	18500
13,2	2753	2,4	73,63	S153	132MA	6	40000	19400
13,2	2725	1,5	110,05	S143	112M	4	35000	18500
12,2	2971	1,2	79,45	S143	132MA	6	35000	18500
11,7	3057	1,3	123,44	S143	112M	4	35000	18500
11,1	3259	1,8	87,16	S153	132MA	6	40000	19400
10,4	3458	1,2	139,64	S143	112M	4	35000	18500
10,0	3637	1,8	97,27	S153	132MA	6	40000	19400
9,8	3695	1,0	98,81	S143	132MA	6	35000	18500
9,8	3692	1,1	149,10	S143	112M	4	35000	18500
8,7	4176	1,8	111,67	S153	132MA	6	40000	19400
7,9	4583	1,8	122,57	S153	132MA	6	40000	19400
7,0	5205	1,5	139,21	S153	132MA	6	40000	19400
6,3	5759	1,0	154,02	S153	132MA	6	40000	19400
6,1	5983	1,2	160,02	S153	132MA	6	40000	19400
5,5	6611	1,0	176,81	S153	132MA	6	40000	19400
5,0	7256	1,1	194,06	S153	132MA	6	40000	19400

## 5,50 kW

n2 [rpm]	M2 [Nm]	fs	i	Gear reducer	Size	Motor Pole	Fr2 D [N]	Fr2 C-L [N]
200,3	252	1,6	7,34	S082	132MS	4	12789	3654
182,3	277	1,6	8,06	S082	132MS	4	13137	3753
182,3	277	2,2	8,06	S102	132MS	4	16374	4678
166,1	304	2,1	8,85	S102	132MS	4	16870	4820
147,8	341	1,4	9,94	S082	132MS	4	13984	3995
135,0	374	1,8	10,88	S102	132MS	4	17975	5136
132,6	384	2,8	7,32	S142	132MB	6	35000	18500

## 5,50 kW

n2 [rpm]	M2 [Nm]	fs	i	Gear reducer	Motor Size	Pole	Fr2 D [N]	Fr2 C-L [N]
132,2	385	1,0	7,34	S082	132MB	6	14353	4101
126,6	399	1,3	11,61	S082	132MS	4	14585	4167
120,3	424	1,0	8,06	S082	132MB	6	14761	4217
120,3	424	1,4	8,06	S102	132MB	6	18562	5304
118,2	431	2,7	8,21	S142	132MB	6	35000	18500
115,3	437	1,2	12,75	S082	132MS	4	14929	4265
115,3	437	1,6	12,75	S102	132MS	4	18785	5367
109,6	464	1,4	8,85	S102	132MB	6	19066	5447
105,1	480	1,8	13,99	S102	132MS	4	19256	5502
104,7	482	1,1	14,04	S082	132MS	4	15286	4367
104,5	488	2,6	9,29	S142	132MB	6	35000	18500
103,0	490	3,6	14,27	S142	132MS	4	35000	18500
97,8	521	2,6	9,91	S142	132MB	6	35000	18500
95,3	530	1,0	15,43	S082	132MS	4	15716	4490
95,3	530	1,7	15,43	S102	132MS	4	19878	5679
93,5	540	1,0	15,73	S082	132MS	4	15792	4512
91,8	549	3,4	16,01	S142	132MS	4	35000	18500
89,1	571	1,2	10,88	S102	132MB	6	20222	5778
85,4	591	1,6	17,21	S102	132MS	4	20499	5857
85,0	599	2,4	11,41	S142	132MB	6	35000	18500
81,2	621	3,4	18,11	S142	132MS	4	35000	18500
77,4	652	1,5	19,00	S102	132MS	4	21068	6020
76,1	669	1,1	12,75	S102	132MB	6	21129	6037
76,0	663	3,5	19,33	S142	132MS	4	35000	18500
75,7	673	2,8	12,81	S142	132MB	6	35000	18500
70,6	714	1,4	20,83	S102	132MS	4	21605	6173
69,3	734	1,2	13,99	S102	132MB	6	21670	6191
69,2	729	2,8	21,25	S122	132MS	4	30000	8847
68,0	749	2,3	14,27	S142	132MB	6	35000	18500
66,4	759	1,3	22,13	S102	132MS	4	21879	6251
66,1	763	3,1	22,24	S142	132MS	4	35000	18500
65,7	767	2,6	22,37	S122	132MS	4	30000	8986
63,1	799	2,6	23,29	S122	132MS	4	30000	9050
62,9	810	1,1	15,43	S102	132MB	6	22000	6339
60,6	840	2,3	16,01	S142	132MB	6	35000	18500
60,6	833	1,3	24,28	S102	132MS	4	22000	6408
58,2	866	2,4	25,26	S142	132MS	4	35000	18500
56,4	904	1,0	17,21	S102	132MB	6	22000	6524
56,2	898	2,4	26,15	S122	132MS	4	30000	9364
55,9	904	1,2	26,33	S102	132MS	4	22000	6571
53,6	951	2,3	18,11	S142	132MB	6	35000	18500
51,9	972	2,4	28,33	S142	132MS	4	35000	18500



## 5,50 kW

n2 [rpm]	M2 [Nm]	fs	i	Gear reducer	Motor Size	Pole	Fr2 D [N]	Fr2 C-L [N]
51,4	981	2,2	28,60	S122	132MS	4	30000	9582
51,1	998	1,0	19,00	S102	132MB	6	22000	6693
50,2	1015	2,3	19,33	S142	132MB	6	35000	18500
49,2	1025	1,1	29,87	S102	132MS	4	22000	6764
48,2	1047	2,4	30,51	S122	132MS	4	30000	9706
45,8	1100	2,8	32,05	S142	132MS	4	35000	18500
45,6	1116	1,8	21,25	S122	132MB	6	30000	9826
45,4	1112	1,1	32,40	S102	132MS	4	22000	6928
44,9	1124	2,3	32,76	S122	132MS	4	30000	9880
44,0	1147	2,2	33,44	S122	132MS	4	30000	9964
43,6	1168	2,1	22,24	S142	132MB	6	35000	18500
43,3	1175	1,7	22,37	S122	132MB	6	30000	9976
43,0	1174	2,9	34,22	S142	132MS	4	35000	18500
41,8	1208	2,1	35,20	S122	132MS	4	30000	10073
41,6	1223	1,7	23,29	S122	132MB	6	30000	10075
38,4	1326	1,6	25,26	S142	132MB	6	35000	18500
37,3	1351	2,8	39,38	S142	132MS	4	35000	18500
37,1	1373	1,6	26,15	S122	132MB	6	30000	10330
35,8	1409	1,8	41,07	S122	132MS	4	30000	10431
34,2	1488	1,6	28,33	S142	132MB	6	35000	18500
33,9	1502	1,4	28,60	S122	132MB	6	30000	10545
33,7	1496	1,7	43,60	S122	132MS	4	30000	10592
32,9	1531	1,3	44,63	S122	132MS	4	30000	10631
32,1	1538	2,2	45,77	S143	132MS	4	35000	18500
31,8	1602	1,6	30,51	S122	132MB	6	30000	10724
30,3	1683	1,9	32,05	S142	132MB	6	35000	18500
30,0	1683	1,2	49,04	S122	132MS	4	30000	10872
29,6	1720	1,5	32,76	S122	132MB	6	30000	10890
29,0	1756	1,5	33,44	S122	132MB	6	30000	10915
28,8	1712	2,2	50,97	S143	132MS	4	35000	18500
28,3	1797	1,9	34,22	S142	132MB	6	35000	18500
27,6	1848	1,4	35,20	S122	132MB	6	30000	11033
27,3	1844	1,2	53,75	S122	132MS	4	30000	11071
25,8	1921	2,1	57,17	S143	132MS	4	35000	18500
24,7	2068	1,8	39,38	S142	132MB	6	35000	18500
24,2	2062	2,6	40,10	S153	132MB	6	40000	19400
23,6	2157	1,2	41,07	S122	132MB	6	30000	11200
22,8	2172	1,9	64,68	S143	132MS	4	35000	18500
22,7	2178	1,1	64,84	S123	132MS	4	30000	11200
22,3	2264	1,1	66,00	S122	132MS	4	30000	11200
22,2	2289	1,1	43,60	S122	132MB	6	30000	11200
21,6	2301	2,6	44,76	S153	132MB	6	40000	19400

## 5,50 kW

n2 [rpm]	M2 [Nm]	fs	i	Gear reducer	Size	Motor Pole	Fr2 D [N]	Fr2 C-L [N]
21,2	2319	1,8	69,06	S143	132MS	4	35000	18500
21,2	2353	1,5	45,77	S143	132MB	6	35000	18500
19,9	2473	2,7	73,63	S153	132MS	4	40000	19400
19,0	2621	1,4	50,97	S143	132MB	6	35000	18500
18,9	2642	2,5	51,38	S153	132MB	6	40000	19400
18,5	2669	1,4	79,45	S143	132MS	4	35000	18500
17,2	2899	2,4	56,39	S153	132MB	6	40000	19400
17,0	2939	1,4	57,17	S143	132MB	6	35000	18500
16,8	2928	2,0	87,16	S153	132MS	4	40000	19400
15,1	3268	2,1	97,27	S153	132MS	4	40000	19400
15,1	3293	2,3	64,05	S153	132MB	6	40000	19400
15,0	3325	1,2	64,68	S143	132MB	6	35000	18500
14,9	3319	1,1	98,81	S143	132MS	4	35000	18500
14,0	3550	1,2	69,06	S143	132MB	6	35000	18500
13,4	3697	1,1	110,05	S143	132MS	4	35000	18500
13,2	3785	1,8	73,63	S153	132MB	6	40000	19400
13,2	3751	2,1	111,67	S153	132MS	4	40000	19400
12,0	4117	2,0	122,57	S153	132MS	4	40000	19400
11,1	4481	1,4	87,16	S153	132MB	6	40000	19400
10,6	4676	1,7	139,21	S153	132MS	4	40000	19400
10,0	5001	1,4	97,27	S153	132MB	6	40000	19400
9,5	5173	1,2	154,02	S153	132MS	4	40000	19400
9,2	5375	1,3	160,02	S153	132MS	4	40000	19400
8,7	5741	1,3	111,67	S153	132MB	6	40000	19400
8,3	5939	1,2	176,81	S153	132MS	4	40000	19400
7,9	6302	1,3	122,57	S153	132MB	6	40000	19400
7,6	6519	1,2	194,06	S153	132MS	4	40000	19400
7,0	7157	1,1	139,21	S153	132MB	6	40000	19400
6,6	7404	1,1	220,42	S153	132MS	4	40000	19400

## 7,50 kW

n2 [rpm]	M2 [Nm]	fs	i	Gear reducer	Size	Motor Pole	Fr2 D [N]	Fr2 C-L [N]
198,9	346	1,1	7,34	S082	132M	4	12511	3575
181,1	380	1,1	8,06	S082	132M	4	12830	3666
181,1	380	1,6	8,06	S102	132M	4	16145	4613
165,0	417	1,5	8,85	S102	132M	4	16615	4747
146,8	468	1,0	9,94	S082	132M	4	13547	3871
134,1	513	1,3	10,88	S102	132M	4	17584	5024
128,0	537	2,7	11,41	S142	132M	4	35000	18500
114,5	601	1,2	12,75	S102	132M	4	18404	5258
114,0	604	3,1	12,81	S142	132M	4	35000	18500

## 7,50 kW

n2 [rpm]	M2 [Nm]	fs	i	Gear reducer	Size	Motor Pole	Fr2 D [N]	Fr2 C-L [N]
104,4	659	1,3	13,99	S102	132M	4	18837	5382
102,3	672	2,6	14,27	S142	132M	4	35000	18500
94,6	727	1,2	15,43	S102	132M	4	19336	5525
91,2	754	2,5	16,01	S142	132M	4	35000	18500
84,8	811	1,2	17,21	S102	132M	4	19898	5685
80,7	853	2,5	18,11	S142	132M	4	35000	18500
76,8	895	1,1	19,00	S102	132M	4	20409	5831
75,5	911	2,5	19,33	S142	132M	4	35000	18500
70,1	981	1,0	20,83	S102	132M	4	20921	5977
68,7	1001	2,0	21,25	S122	132M	4	30000	8572
65,6	1048	2,3	22,24	S142	132M	4	35000	18500
65,2	1054	1,9	22,37	S122	132M	4	30000	8680
62,7	1097	1,9	23,29	S122	132M	4	30000	8765
57,8	1190	1,8	25,26	S142	132M	4	35000	18500
55,8	1232	1,8	26,15	S122	132M	4	30000	8992
51,6	1335	1,7	28,33	S142	132M	4	35000	18500
51,0	1347	1,6	28,60	S122	132M	4	30000	9176
47,8	1437	1,8	30,51	S122	132M	4	30000	9322
45,6	1510	2,1	32,05	S142	132M	4	35000	18500
44,6	1543	1,7	32,76	S122	132M	4	30000	9451
43,7	1575	1,6	33,44	S122	132M	4	30000	9507
42,7	1612	2,1	34,22	S142	132M	4	35000	18500
41,5	1658	1,5	35,20	S122	132M	4	30000	9594
37,1	1854	2,0	39,38	S142	132M	4	35000	18500
36,4	1849	2,9	40,10	S153	132M	4	40000	19400
35,6	1934	1,3	41,07	S122	132M	4	30000	9889
33,5	2053	1,2	43,60	S122	132M	4	30000	9999
32,6	2064	2,9	44,76	S153	132M	4	40000	19400
31,9	2111	1,6	45,77	S143	132M	4	35000	18500
28,6	2351	1,6	50,97	S143	132M	4	35000	18500
28,4	2370	2,8	51,38	S153	132M	4	40000	19400
25,9	2601	2,7	56,39	S153	132M	4	40000	19400
25,6	2637	1,5	57,17	S143	132M	4	35000	18500
22,8	2954	2,5	64,05	S153	132M	4	40000	19400
22,6	2983	1,4	64,68	S143	132M	4	35000	18500
21,1	3184	1,3	69,06	S143	132M	4	35000	18500
19,8	3396	1,9	73,63	S153	132M	4	40000	19400
16,7	4019	1,5	87,16	S153	132M	4	40000	19400
15,0	4486	1,5	97,27	S153	132M	4	40000	19400
13,1	5150	1,5	111,67	S153	132M	4	40000	19400
11,9	5652	1,4	122,57	S153	132M	4	40000	19400
10,5	6420	1,2	139,21	S153	132M	4	40000	19400

## 11,00 kW

n2 [rpm]	M2 [Nm]	fs	i	Gear reducer	Motor Size	Pole	Fr2 D [N]	Fr2 C-L [N]
201,6	500	2,2	7,32	S142	160MA	4	33731	18500
182,9	551	1,1	8,06	S102	160MA	4	15642	4469
179,7	561	2,1	8,21	S142	160MA	4	34706	18500
173,9	580	1,9	8,48	S122	160MA	4	22641	6469
166,7	605	1,1	8,85	S102	160MA	4	16034	4581
158,9	635	2,0	9,29	S142	160MA	4	35000	18500
158,6	636	1,9	9,30	S122	160MA	4	23193	6627
148,8	678	2,0	9,91	S142	160MA	4	35000	18500
144,1	700	1,8	10,24	S122	160MA	4	23777	6793
132,6	768	1,4	7,32	S142	160L	6	35000	18500
129,3	780	1,9	11,41	S142	160MA	4	35000	18500
129,2	781	1,8	11,42	S122	160MA	4	24439	6983
118,3	852	2,8	12,46	S152	160MA	4	40000	19400
118,2	862	1,4	8,21	S142	160L	6	35000	18500
116,8	863	1,8	12,63	S122	160MA	4	25052	7158
115,1	876	2,1	12,81	S142	160MA	4	35000	18500
114,4	891	1,2	8,48	S122	160L	6	25148	7185
106,6	946	1,8	13,84	S122	160MA	4	25608	7317
106,0	951	2,8	13,91	S152	160MA	4	40000	19400
104,5	975	1,3	9,29	S142	160L	6	35000	18500
104,3	976	1,3	9,30	S122	160L	6	25700	7343
103,4	976	1,8	14,27	S142	160MA	4	35000	18500
97,8	1041	1,3	9,91	S142	160L	6	35000	18500
94,7	1075	1,1	10,24	S122	160L	6	26276	7508
92,4	1092	2,8	15,97	S152	160MA	4	40000	19400
92,2	1094	1,7	16,01	S142	160MA	4	35000	18500
86,8	1162	1,6	16,99	S122	160MA	4	26837	7668
85,0	1199	1,1	11,42	S122	160L	6	26918	7691
85,0	1198	1,2	11,41	S142	160L	6	35000	18500
84,2	1198	2,8	17,53	S152	160MA	4	40000	19400
81,5	1238	1,7	18,11	S142	160MA	4	35000	18500
77,8	1309	1,8	12,46	S152	160L	6	40000	19400
76,8	1326	1,2	12,63	S122	160L	6	27500	7857
76,3	1322	1,8	19,33	S142	160MA	4	35000	18500
75,7	1345	1,4	12,81	S142	160L	6	35000	18500
74,1	1361	2,7	19,91	S152	160MA	4	40000	19400
70,1	1453	1,2	13,84	S122	160L	6	28017	8005
69,7	1461	1,8	13,91	S152	160L	6	40000	19400
69,4	1453	1,4	21,25	S122	160MA	4	28127	8036
68,0	1499	1,2	14,27	S142	160L	6	35000	18500
66,3	1521	1,6	22,24	S142	160MA	4	35000	18500
65,9	1529	1,3	22,37	S122	160MA	4	28411	8117

## 11,00 kW

n2 [rpm]	M2 [Nm]	fs	i	Gear reducer	Motor Size	Pole	Fr2 D [N]	Fr2 C-L [N]
64,5	1564	2,6	22,88	S152	160MA	4	40000	19400
63,3	1592	1,3	23,29	S122	160MA	4	28631	8180
60,7	1677	1,8	15,97	S152	160L	6	40000	19400
60,6	1681	1,1	16,01	S142	160L	6	35000	18500
58,4	1727	1,2	25,26	S142	160MA	4	35000	18500
57,1	1784	1,1	16,99	S122	160L	6	29113	8318
56,4	1788	1,2	26,15	S122	160MA	4	29242	8355
55,3	1840	1,8	17,53	S152	160L	6	40000	19400
54,4	1853	2,4	27,11	S152	160MA	4	40000	19400
53,6	1901	1,1	18,11	S142	160L	6	35000	18500
52,1	1937	1,2	28,33	S142	160MA	4	35000	18500
51,6	1955	1,1	28,60	S122	160MA	4	29687	8482
50,2	2030	1,1	19,33	S142	160L	6	35000	18500
49,6	2034	2,4	29,75	S152	160MA	4	40000	19400
48,7	2090	1,8	19,91	S152	160L	6	40000	19400
48,3	2086	1,2	30,51	S122	160MA	4	29992	8569
46,0	2191	1,4	32,05	S142	160MA	4	35000	18500
45,0	2240	1,1	32,76	S122	160MA	4	30000	8660
44,1	2287	1,1	33,44	S122	160MA	4	30000	8685
43,7	2310	2,8	33,79	S152	160MA	4	40000	19400
43,6	2336	1,0	22,24	S142	160L	6	35000	18500
43,1	2340	1,4	34,22	S142	160MA	4	35000	18500
42,4	2403	1,7	22,88	S152	160L	6	40000	19400
41,9	2407	1,1	35,20	S122	160MA	4	30000	8745
38,0	2656	2,5	38,84	S152	160MA	4	40000	19400
37,5	2692	1,4	39,38	S142	160MA	4	35000	18500
36,8	2685	2,0	40,10	S153	160MA	4	40000	19400
35,8	2846	1,5	27,11	S152	160L	6	40000	19400
33,0	2996	2,0	44,76	S153	160MA	4	40000	19400
32,6	3124	1,5	29,75	S152	160L	6	40000	19400
32,2	3064	1,1	45,77	S143	160MA	4	35000	18500
28,9	3412	1,1	50,97	S143	160MA	4	35000	18500
28,7	3548	1,8	33,79	S152	160L	6	40000	19400
28,7	3440	2,0	51,38	S153	160MA	4	40000	19400
26,2	3775	1,9	56,39	S153	160MA	4	40000	19400
25,8	3828	1,1	57,17	S143	160MA	4	35000	18500
25,0	4078	1,6	38,84	S152	160L	6	40000	19400
24,2	4123	1,3	40,10	S153	160L	6	40000	19400
23,0	4288	1,8	64,05	S153	160MA	4	40000	19400
21,7	4602	1,3	44,76	S153	160L	6	40000	19400
20,0	4929	1,3	73,63	S153	160MA	4	40000	19400
18,9	5283	1,3	51,38	S153	160L	6	40000	19400

## 11,00 kW

n2 [rpm]	M2 [Nm]	fs	i	Gear reducer	Size	Motor	Pole	Fr2 D [N]	Fr2 C-L [N]
17,2	5798	1,2	56,39	S153	160L		6	40000	19400
16,9	5835	1,0	87,16	S153	160MA		4	40000	19400
15,2	6512	1,0	97,27	S153	160MA		4	40000	19400
15,1	6586	1,1	64,05	S153	160L		6	40000	19400
13,2	7476	1,0	111,67	S153	160MA		4	40000	19400

## 15,00 kW

n2 [rpm]	M2 [Nm]	fs	i	Gear reducer	Size	Motor	Pole	Fr2 D [N]	Fr2 C-L [N]
201,6	682	1,6	7,32	S142	160LA		4	32297	18455
179,7	765	1,5	8,21	S142	160LA		4	33097	18500
173,9	791	1,4	8,48	S122	160LA		4	21842	6241
158,9	866	1,5	9,29	S142	160LA		4	33930	18500
158,6	867	1,4	9,30	S122	160LA		4	22318	6376
148,8	924	1,5	9,91	S142	160LA		4	34359	18500
144,1	955	1,3	10,24	S122	160LA		4	22813	6518
133,9	1037	1,0	7,32	S142	180L		6	34940	18500
129,3	1063	1,4	11,41	S142	160LA		4	35000	18500
129,2	1064	1,3	11,42	S122	160LA		4	23364	6675
119,4	1163	1,0	8,21	S142	180L		6	35000	18500
118,3	1162	2,1	12,46	S152	160LA		4	40000	19400
116,8	1177	1,4	12,63	S122	160LA		4	23862	6818
115,1	1195	1,6	12,81	S142	160LA		4	35000	18500
106,6	1290	1,3	13,84	S122	160LA		4	24305	6944
106,0	1297	2,1	13,91	S152	160LA		4	40000	19400
103,4	1331	1,3	14,27	S142	160LA		4	35000	18500
92,4	1489	2,1	15,97	S152	160LA		4	40000	19400
92,2	1492	1,3	16,01	S142	160LA		4	35000	18500
86,8	1584	1,2	16,99	S122	160LA		4	25237	7211
84,2	1634	2,1	17,53	S152	160LA		4	40000	19400
81,5	1688	1,3	18,11	S142	160LA		4	35000	18500
78,6	1766	1,4	12,46	S152	180L		6	40000	19400
76,5	1816	1,0	12,81	S142	180L		6	35000	18500
76,3	1803	1,3	19,33	S142	160LA		4	35000	18500
74,1	1856	2,0	19,91	S152	160LA		4	40000	19400
70,5	1971	1,4	13,91	S152	180L		6	40000	19400
69,4	1981	1,0	21,25	S122	160LA		4	26125	7464
66,3	2074	1,2	22,24	S142	160LA		4	35000	18500
64,5	2133	1,9	22,88	S152	160LA		4	40000	19400
61,4	2263	1,4	15,97	S152	180L		6	40000	19400
55,9	2484	1,4	17,53	S152	180L		6	40000	19400
54,4	2527	1,7	27,11	S152	160LA		4	40000	19400

## 15,00 kW

n2 [rpm]	M2 [Nm]	fs	i	Gear reducer	Size	Motor Pole	Fr2 D [N]	Fr2 C-L [N]
49,6	2774	1,7	29,75	S152	160LA	4	40000	19400
49,2	2821	1,3	19,91	S152	180L	6	40000	19400
46,0	2988	1,0	32,05	S142	160LA	4	35000	18500
43,7	3150	2,1	33,79	S152	160LA	4	40000	19400
43,1	3191	1,0	34,22	S142	160LA	4	35000	18500
42,8	3243	1,2	22,88	S152	180L	6	40000	19400
38,0	3621	1,8	38,84	S152	160LA	4	40000	19400
37,5	3671	1,0	39,38	S142	160LA	4	35000	18500
36,8	3661	1,5	40,10	S153	160LA	4	40000	19400
36,2	3842	1,1	27,11	S152	180L	6	40000	19400
33,0	4086	1,5	44,76	S153	160LA	4	40000	19400
32,9	4216	1,1	29,75	S152	180L	6	40000	19400
29,0	4789	1,4	33,79	S152	180L	6	40000	19400
28,7	4691	1,4	51,38	S153	160LA	4	40000	19400
26,2	5148	1,4	56,39	S153	160LA	4	40000	19400
25,2	5505	1,2	38,84	S152	180L	6	40000	19400
23,0	5847	1,3	64,05	S153	160LA	4	40000	19400

## 18,50 kW

n2 [rpm]	M2 [Nm]	fs	i	Gear reducer	Size	Motor Pole	Fr2 D [N]	Fr2 C-L [N]
200,9	844	1,3	7,32	S142	180M	4	31061	17749
179,1	947	1,2	8,21	S142	180M	4	31707	18118
173,3	979	1,1	8,48	S122	180M	4	21158	6045
158,3	1071	1,2	9,29	S142	180M	4	32354	18488
158,1	1073	1,1	9,30	S122	180M	4	21566	6162
148,3	1144	1,2	9,91	S142	180M	4	32674	18500
143,6	1181	1,0	10,24	S122	180M	4	21983	6281
128,9	1316	1,1	11,41	S142	180M	4	33291	18500
128,8	1317	1,0	11,42	S122	180M	4	22437	6411
117,9	1438	1,7	12,46	S152	180M	4	40000	19400
116,4	1457	1,1	12,63	S122	180M	4	22835	6524
114,7	1478	1,3	12,81	S142	180M	4	33719	18500
106,2	1597	1,1	13,84	S122	180M	4	23176	6622
105,7	1605	1,7	13,91	S152	180M	4	40000	19400
103,0	1647	1,1	14,27	S142	180M	4	34036	18500
92,1	1842	1,7	15,97	S152	180M	4	40000	19400
91,8	1847	1,0	16,01	S142	180M	4	34271	18500
83,9	2022	1,7	17,53	S152	180M	4	40000	19400
81,2	2089	1,0	18,11	S142	180M	4	34388	18500
78,6	2179	1,1	12,46	S152	200LA	6	40000	19400
76,0	2231	1,0	19,33	S142	180M	4	34384	18500

## 18,50 kW

n2 [rpm]	M2 [Nm]	fs	i	Gear reducer	Size	Motor	Pole	Fr2 D [N]	Fr2 C-L [N]
73,8	2297	1,6	19,91	S152	180M		4	40000	19400
70,5	2431	1,1	13,91	S152	200LA		6	40000	19400
64,2	2640	1,5	22,88	S152	180M		4	40000	19400
61,4	2791	1,1	15,97	S152	200LA		6	40000	19400
55,9	3064	1,1	17,53	S152	200LA		6	40000	19400
54,2	3127	1,4	27,11	S152	180M		4	40000	19400
49,4	3433	1,4	29,75	S152	180M		4	40000	19400
49,2	3480	1,1	19,91	S152	200LA		6	40000	19400
43,5	3899	1,7	33,79	S152	180M		4	40000	19400
37,8	4481	1,5	38,84	S152	180M		4	40000	19400
36,7	4531	1,2	40,10	S153	180M		4	40000	19400
32,8	5056	1,2	44,76	S153	180M		4	40000	19400
29,0	5907	1,1	33,79	S152	200LA		6	40000	19400
28,6	5805	1,2	51,38	S153	180M		4	40000	19400
26,1	6371	1,1	56,39	S153	180M		4	40000	19400
22,9	7236	1,0	64,05	S153	180M		4	40000	19400

## 22,00 kW

n2 [rpm]	M2 [Nm]	fs	i	Gear reducer	Size	Motor	Pole	Fr2 D [N]	Fr2 C-L [N]
200,9	1004	1,1	7,32	S142	180L		4	29801	17029
179,1	1126	1,0	8,21	S142	180L		4	30294	17311
158,3	1274	1,0	9,29	S142	180L		4	30756	17575
117,9	1710	1,4	12,46	S152	180L		4	40000	19400
114,7	1758	1,1	12,81	S142	180L		4	31514	18008
105,7	1909	1,4	13,91	S152	180L		4	40000	19400
92,1	2191	1,4	15,97	S152	180L		4	40000	19400
83,9	2405	1,4	17,53	S152	180L		4	40000	19400
73,8	2731	1,4	19,91	S152	180L		4	40000	19400
64,2	3140	1,3	22,88	S152	180L		4	40000	19400
54,2	3719	1,2	27,11	S152	180L		4	40000	19400
49,4	4082	1,2	29,75	S152	180L		4	40000	19400
43,5	4636	1,4	33,79	S152	180L		4	40000	19400
37,8	5329	1,2	38,84	S152	180L		4	40000	19400

## 30,00 kW

n2 [rpm]	M2 [Nm]	fs	i	Gear reducer	Size	Motor	Pole	Fr2 D [N]	Fr2 C-L [N]
118,3	2324	1,0	12,46	S152	200L		4	40000	19400
106,0	2594	1,0	13,91	S152	200L		4	40000	19400
92,4	2978	1,0	15,97	S152	200L		4	40000	19400



## 6.1 S GEARED MOTORS (50Hz)

## 30,00 kW

n2 [rpm]	M2 [Nm]	fs	i	Gear reducer	Size	Motor Pole	Fr2 D [N]	Fr2 C-L [N]
84,2	3268	1,0	17,53	S152	200L	4	40000	19400
43,7	6301	1,0	33,79	S152	200L	4	40000	19400

## IS052

Mn <sub>2</sub> [Nm]	i	Pn <sub>1</sub> [kW]	n <sub>2</sub> [rpm]	Fr1 [N]	Fr2 D [N]	Fr2 C-L [N]
123	8,63	2,72	202,9	759	3125	3125
137	11,14	2,35	157,1	846	3373	3373
145	12,00	2,31	145,8	859	3428	3428
152	13,66	2,12	128,2	901	3570	3570
174	15,27	2,17	114,6	890	3584	3584
174	16,29	2,04	107,5	922	3689	3689
174	18,63	1,78	93,9	983	3916	3916
174	19,73	1,68	88,7	1007	4015	4015
188	21,04	1,71	83,2	1000	4020	4020
188	21,53	1,67	81,3	1010	4062	4062
188	24,07	1,49	72,7	1051	4267	4267
246	25,20	1,86	69,4	1028	4190	4190
208	25,79	1,54	67,9	1037	4234	4234
208	27,81	1,43	62,9	1064	4381	4381
208	30,00	1,32	58,3	1089	4532	4532
256	32,55	1,50	53,8	1104	4644	4644
256	33,00	1,48	53,0	1108	4673	4673
256	34,09	1,43	51,3	1117	4741	4741
282	36,55	1,47	47,9	1110	4725	4725
282	38,75	1,39	45,2	1127	4853	4853
298	39,90	1,43	43,9	1118	4808	4808
298	42,63	1,33	41,1	1137	4956	4956
298	46,00	1,24	38,0	1156	5131	5131
298	47,20	1,21	37,1	1163	5191	5191
298	52,25	1,09	33,5	1186	5433	5433
298	57,86	0,98	30,2	1208	5685	5685
298	59,42	0,96	29,4	1213	5752	5752
298	72,83	0,78	24,0	1249	6000	6000

## IS053

Mn <sub>2</sub> [Nm]	i	Pn <sub>1</sub> [kW]	n <sub>2</sub> [rpm]	Fr1 [N]	Fr2 D [N]	Fr2 C-L [N]
300	36,50	1,60	48,0	1091	4613	4613
300	47,14	1,24	37,1	1162	5188	5188
300	57,79	1,01	30,3	1207	5682	5682
300	63,74	0,92	27,4	1226	5931	5931
300	74,20	0,79	23,6	1251	6000	6000
300	78,14	0,75	22,4	1259	6000	6000
298	95,84	0,61	18,3	1286	6000	6000
296	117,48	0,49	14,9	1309	6000	6000
300	137,45	0,43	12,7	1323	6000	6000
300	177,55	0,33	9,9	1342	6000	6000

## IS053

Mn <sub>2</sub> [Nm]	i	Pn <sub>1</sub> [kW]	n <sub>2</sub> [rpm]	Fr1 [N]	Fr2 D [N]	Fr2 C-L [N]
304	198,45	0,30	8,8	1348	6000	6000
298	217,64	0,27	8,0	1354	6000	6000
294	256,33	0,22	6,8	1362	6000	6000
292	314,21	0,18	5,6	1370	6000	6000

## IS062

Mn <sub>2</sub> [Nm]	i	Pn <sub>1</sub> [kW]	n <sub>2</sub> [rpm]	Fr1 [N]	Fr2 D [N]	Fr2 C-L [N]
238	8,00	5,68	218,8	413	4832	1933
238	8,92	5,09	196,2	516	5081	2032
260	9,55	5,20	183,3	499	5061	2024
260	10,65	4,66	164,4	593	5325	2130
282	11,71	4,60	149,5	605	5385	2154
302	13,06	4,41	134,0	633	5488	2195
302	13,36	4,32	131,0	650	5548	2219
324	15,94	3,88	109,8	727	5853	2341
324	16,16	3,83	108,3	737	5892	2357
324	19,29	3,21	90,7	846	6407	2563
332	19,55	3,24	89,5	841	6388	2555
338	23,18	2,78	75,5	920	6856	2742
338	23,75	2,72	73,7	931	6934	2774
346	25,14	2,63	69,6	948	7059	2824
346	27,66	2,39	63,3	990	7376	2950
360	30,00	2,29	58,3	1007	7536	3014
460	33,93	2,59	51,6	1025	7733	3093
510	36,57	2,66	47,9	1013	7650	3060
510	39,38	2,47	44,4	1041	7927	3171
510	43,64	2,23	40,1	1077	8324	3329
510	46,10	2,11	38,0	1095	8541	3416
510	48,30	2,02	36,2	1109	8729	3492
510	53,53	1,82	32,7	1138	9154	3661
510	55,00	1,77	31,8	1146	9268	3707
510	67,47	1,44	25,9	1194	10000	4000

## IS063

Mn <sub>2</sub> [Nm]	i	Pn <sub>1</sub> [kW]	n <sub>2</sub> [rpm]	Fr1 [N]	Fr2 D [N]	Fr2 C-L [N]
510	33,57	2,96	52,1	978	7337	2935
510	37,77	2,63	46,3	1026	7770	3108
510	40,05	2,48	43,7	1047	7992	3197
510	49,13	2,02	35,6	1114	8799	3519

## IS063

Mn <sub>2</sub> [Nm]	i	Pn <sub>1</sub> [kW]	n <sub>2</sub> [rpm]	Fr1 [N]	Fr2 D [N]	Fr2 C-L [N]
510	55,29	1,80	31,6	1147	9290	3716
510	58,72	1,69	29,8	1162	9548	3819
510	65,85	1,51	26,6	1189	10000	4000
510	68,25	1,46	25,6	1197	10000	4000
510	73,63	1,35	23,8	1212	10000	4000
510	81,43	1,22	21,5	1231	10000	4000
510	99,89	1,00	17,5	1264	10000	4000
510	126,43	0,79	13,8	1294	10000	4000
510	150,85	0,66	11,6	1313	10000	4000
515	182,53	0,55	9,6	1330	10000	4000
515	185,05	0,54	9,5	1331	10000	4000
510	217,79	0,46	8,0	1342	10000	4000
510	267,16	0,37	6,5	1355	10000	4000

## IS082

Mn <sub>2</sub> [Nm]	i	Pn <sub>1</sub> [kW]	n <sub>2</sub> [rpm]	Fr1 [N]	Fr2 D [N]	Fr2 C-L [N]
396	7,34	10,30	238,4	1365	11156	3188
432	8,06	10,23	217,1	1376	11407	3259
470	9,94	9,02	176,0	1572	12203	3487
505	11,61	8,31	150,8	1681	12792	3655
540	12,75	8,08	137,2	1714	13109	3745
545	14,04	7,41	124,6	1816	13578	3879
555	15,43	6,87	113,4	1907	14049	4014
555	15,73	6,74	111,3	1927	14153	4044
555	17,29	6,13	101,2	2023	14680	4194
555	19,03	5,57	92,0	2111	15226	4350
555	20,14	5,26	86,9	2159	15559	4445
575	22,13	4,96	79,1	2204	16032	4580
575	24,00	4,57	72,9	2265	16535	4724
575	26,05	4,21	67,2	2322	17056	4873
650	27,29	4,55	64,1	2273	17049	4871
650	28,67	4,33	61,0	2308	17375	4964
650	29,60	4,19	59,1	2329	17588	5025
850	31,78	5,11	55,1	2306	17762	5075
850	34,91	4,65	50,1	2367	18000	5263
850	35,50	4,57	49,3	2377	18000	5297
850	40,05	4,05	43,7	2447	18000	5548
850	43,05	3,77	40,6	2484	18000	5703
850	50,25	3,23	34,8	2556	18000	6047
850	54,27	2,99	32,2	2588	18000	6226
850	61,98	2,62	28,2	2638	18000	6544

## IS083

Mn <sub>2</sub> [Nm]	i	Pn <sub>1</sub> [kW]	n <sub>2</sub> [rpm]	Fr1 [N]	Fr2 D [N]	Fr2 C-L [N]
850	67,52	2,45	25,9	2667	18000	6757
850	74,18	2,23	23,6	2695	18000	6998
850	81,71	2,03	21,4	2722	18000	7200
850	91,49	1,81	19,1	2750	18000	7200
850	100,62	1,65	17,4	2772	18000	7200
850	117,17	1,41	14,9	2802	18000	7200
850	128,73	1,29	13,6	2819	18000	7200
850	136,34	1,22	12,8	2828	18000	7200
850	158,76	1,04	11,0	2851	18000	7200
850	184,88	0,90	9,5	2870	18000	7200
855	203,11	0,82	8,6	2881	18000	7200
850	205,34	0,81	8,5	2882	18000	7200
850	226,04	0,73	7,7	2891	18000	7200
850	250,50	0,66	7,0	2901	18000	7200
845	266,13	0,62	6,6	2906	18000	7200
845	292,36	0,56	6,0	2913	18000	7200
845	315,73	0,52	5,5	2919	18000	7200
845	360,58	0,46	4,8	2927	18000	7200

## IS102

Mn <sub>2</sub> [Nm]	i	Pn <sub>1</sub> [kW]	n <sub>2</sub> [rpm]	Fr1 [N]	Fr2 D [N]	Fr2 C-L [N]
610	8,06	14,44	217,1	788	14063	4018
650	8,85	14,03	197,8	865	14442	4126
685	10,88	12,01	160,8	1166	15499	4428
720	12,75	10,78	137,2	1351	16332	4666
865	13,99	11,80	125,1	1198	16427	4694
900	15,43	11,13	113,4	1297	16941	4840
940	17,21	10,42	101,7	1412	17554	5015
1010	19,00	10,15	92,1	1450	17997	5142
1010	20,83	9,26	84,0	1585	18656	5330
1010	22,13	8,71	79,1	1668	19100	5457
1080	24,28	8,49	72,1	1699	19556	5588
1080	26,33	7,83	66,5	1800	20188	5768
1080	29,87	6,90	58,6	1940	21200	6057
1280	32,40	7,54	54,0	2022	21877	6250
1195	34,91	6,53	50,1	2152	22000	6502
1280	38,30	6,38	45,7	2171	22000	6665
1195	42,53	5,36	41,1	2301	22000	7005
1110	44,00	4,82	39,8	2372	22000	7165
1365	47,13	5,53	37,1	2280	22000	7141
1195	50,25	4,54	34,8	2407	22000	7457

## IS102

Mn <sub>2</sub> [Nm]	i	Pn <sub>1</sub> [kW]	n <sub>2</sub> [rpm]	Fr1 [N]	Fr2 D [N]	Fr2 C-L [N]
1110	55,14	3,84	31,7	2497	22000	7789
1365	59,40	4,39	29,5	2426	22000	7796
1365	67,84	3,84	25,8	2496	22000	8196

## IS103

Mn <sub>2</sub> [Nm]	i	Pn <sub>1</sub> [kW]	n <sub>2</sub> [rpm]	Fr1 [N]	Fr2 D [N]	Fr2 C-L [N]
1365	74,18	3,59	23,6	2539	22000	8474
1365	81,39	3,27	21,5	2578	22000	8773
1365	89,77	2,96	19,5	2617	22000	9000
1365	100,15	2,66	17,5	2655	22000	9000
1365	110,55	2,41	15,8	2687	22000	9000
1365	121,29	2,19	14,4	2713	22000	9000
1365	128,73	2,07	13,6	2729	22000	9000
1365	141,24	1,88	12,4	2752	22000	9000
1370	173,78	1,54	10,1	2797	22000	9000
1365	188,51	1,41	9,3	2812	22000	9000
1365	203,11	1,31	8,6	2824	22000	9000
1365	222,85	1,19	7,8	2839	22000	9000
1268	224,76	1,10	7,8	2840	22000	9000
1365	274,20	0,97	6,4	2867	22000	9000
1225	280,89	0,85	6,2	2870	22000	9000
1199	292,36	0,80	6,0	2875	22000	9000
1370	320,79	0,83	5,5	2885	22000	9000
1360	345,60	0,77	5,1	2892	22000	9000
1360	394,69	0,67	4,4	2904	22000	9000

## IS122

Mn <sub>2</sub> [Nm]	i	Pn <sub>1</sub> [kW]	n <sub>2</sub> [rpm]	Fr1 [N]	Fr2 D [N]	Fr2 C-L [N]
1080	8,48	24,30	206,3	3012	18134	5181
1225	9,30	25,15	188,2	2979	18143	5184
1225	10,24	22,84	170,9	3070	18925	5407
1370	11,42	22,91	153,3	3068	19127	5465
1590	12,63	24,04	138,6	3026	18934	5410
1735	13,84	23,93	126,5	3030	19045	5441
1880	16,99	21,12	103,0	3140	20267	5791
2020	21,25	18,14	82,3	3255	21815	6233
2020	22,37	17,24	78,2	3290	22357	6388
2095	23,29	17,17	75,1	3294	22436	6410
2165	26,15	15,80	66,9	3347	23357	6674

## IS122

Mn <sub>2</sub> [Nm]	i	Pn <sub>1</sub> [kW]	n <sub>2</sub> [rpm]	Fr1 [N]	Fr2 D [N]	Fr2 C-L [N]
2165	28,60	14,45	61,2	3400	24377	6965
2560	30,51	16,01	57,4	3435	25134	7181
2560	32,76	14,92	53,4	3471	25982	7423
2560	33,44	14,61	52,3	3482	26235	7496
2560	35,20	13,88	49,7	3506	26863	7675
2560	41,07	11,90	42,6	3571	28822	8235
2560	43,60	11,21	40,1	3594	29610	8460
2050	44,63	8,77	39,2	3675	30000	9160
2050	49,04	7,98	35,7	3702	30000	9526
2220	53,75	7,88	32,6	3705	30000	9690
2560	66,00	7,40	26,5	3720	30000	10148

## IS123

Mn <sub>2</sub> [Nm]	i	Pn <sub>1</sub> [kW]	n <sub>2</sub> [rpm]	Fr1 [N]	Fr2 D [N]	Fr2 C-L [N]
2062	64,84	6,20	27,0	3741	30000	10376
2305	71,07	6,32	24,6	3761	30000	10780
2053	78,46	5,10	22,3	3759	30000	10923
2560	87,27	5,72	20,1	3780	30000	11200
2445	105,91	4,50	16,5	3813	30000	11200
2560	112,52	4,44	15,6	3822	30000	11200
2560	123,33	4,05	14,2	3834	30000	11200
2560	130,04	3,84	13,5	3841	30000	11200
2565	133,78	3,74	13,1	3845	30000	11200
2560	151,43	3,30	11,6	3859	30000	11200
2565	177,53	2,82	9,9	3874	30000	11200
2555	194,59	2,56	9,0	3882	30000	11200
2432	215,60	2,20	8,1	3890	30000	11200
2565	238,93	2,09	7,3	3898	30000	11200

## IS142

Mn <sub>2</sub> [Nm]	i	Pn <sub>1</sub> [kW]	n <sub>2</sub> [rpm]	Fr1 [N]	Fr2 D [N]	Fr2 C-L [N]
1080	7,32	28,17	239,2	3073	21411	12235
1180	8,21	27,44	213,2	3073	21057	12033
1300	9,29	26,73	188,5	3073	20496	11712
1355	9,91	26,09	176,5	3072	20113	11493
1445	11,41	24,18	153,4	3177	20353	11630
1880	12,81	28,01	136,6	3471	23418	13382
1760	14,27	23,54	122,6	3704	26304	15031
1915	16,01	22,84	109,3	3741	26448	15113

## IS142

Mn <sub>2</sub> [Nm]	i	Pn <sub>1</sub> [kW]	n <sub>2</sub> [rpm]	Fr1 [N]	Fr2 D [N]	Fr2 C-L [N]
2165	18,11	22,82	96,6	3741	25783	14733
2315	19,33	22,86	90,5	3741	25321	14469
2395	22,24	20,55	78,7	3857	26820	15326
2090	25,26	15,79	69,3	4096	32131	18360
2345	28,33	15,80	61,8	4096	31591	18052
2938	32,05	17,50	54,6	4096	30742	17567
3137	34,22	17,50	51,1	4096	30165	17237
3548	39,38	17,20	44,4	4111	29206	16689

## IS143

Mn <sub>2</sub> [Nm]	i	Pn <sub>1</sub> [kW]	n <sub>2</sub> [rpm]	Fr1 [N]	Fr2 D [N]	Fr2 C-L [N]
3216	45,77	13,70	38,2	4200	35000	18500
3582	50,97	13,70	34,3	4200	34436	18500
3783	57,17	12,90	30,6	4200	35000	18500
3815	64,68	11,50	27,1	4200	35000	18500
3897	69,06	11,00	25,3	4200	35000	18500
3382	79,45	8,30	22,0	4200	35000	18500
3548	98,81	7,00	17,7	4200	35000	18500
3783	110,05	6,70	15,9	4200	35000	18500
3798	123,44	6,00	14,2	4200	35000	18500
3869	139,64	5,40	12,5	4200	35000	18500
3823	149,10	5,00	11,7	4200	35000	18500
3070	157,49	3,80	11,1	4200	35000	18500
3696	171,55	4,20	10,2	4200	35000	18500
3418	175,41	3,80	10,0	4200	35000	18500
3837	196,74	3,80	8,9	4200	35000	18500
3769	222,57	3,30	7,9	4200	35000	18500
3903	237,63	3,20	7,4	4200	35000	18500
3787	273,41	2,70	6,4	4200	35000	18500

## IS152

Mn <sub>2</sub> [Nm]	i	Pn <sub>1</sub> [kW]	n <sub>2</sub> [rpm]	Fr1 [N]	Fr2 D [N]	Fr2 C-L [N]
2390	12,46	36,60	140,4	4525	35582	19400
2665	13,91	36,57	125,8	4526	35686	19400
3060	15,97	36,58	109,6	4526	35607	19400
3360	17,53	36,59	99,8	4525	35408	19400
3710	19,91	35,57	87,9	4525	34919	19400
3995	22,88	33,33	76,5	4525	34041	19400
4400	27,11	30,99	64,6	4697	37532	19400



## IS152

Mn <sub>2</sub> [Nm]	i	Pn <sub>1</sub> [kW]	n <sub>2</sub> [rpm]	Fr1 [N]	Fr2 D [N]	Fr2 C-L [N]
4830	29,75	30,99	58,8	4696	36818	19400
6072	33,79	34,30	51,8	4696	35512	19400
6145	38,84	30,20	45,1	4809	38394	19400

## IS153

Mn <sub>2</sub> [Nm]	i	Pn <sub>1</sub> [kW]	n <sub>2</sub> [rpm]	Fr1 [N]	Fr2 D [N]	Fr2 C-L [N]
5019	40,10	24,40	43,6	4984	40000	19400
5602	44,76	24,40	39,1	4984	40000	19400
6299	51,38	23,90	34,1	4999	40000	19400
6596	56,39	22,80	31,0	5027	40000	19400
7032	64,05	21,40	27,3	5065	40000	19400
6231	73,63	16,50	23,8	5199	40000	19400
5678	87,16	12,70	20,1	5200	40000	19400
6337	97,27	12,70	18,0	5200	40000	19400
7276	111,67	12,70	15,7	5200	40000	19400
7607	122,57	12,10	14,3	5200	40000	19400
7284	139,21	10,20	12,6	5200	40000	19400
5690	154,02	7,20	11,4	5200	40000	19400
6482	160,02	7,90	10,9	5200	40000	19400
6529	176,81	7,20	9,9	5200	40000	19400
7166	194,06	7,20	9,0	5200	40000	19400
7462	220,42	6,60	7,9	5200	40000	19400
6626	253,36	5,10	6,9	5200	40000	19400

## IS052

Mn <sub>2</sub> [Nm]	i	Pn <sub>1</sub> [kW]	n <sub>2</sub> [rpm]	Fr1 [N]	Fr2 D [N]	Fr2 C-L [N]
123	8,63	2,18	162,3	718	3375	3375
137	11,14	1,88	125,7	810	3644	3644
145	12,00	1,85	116,7	824	3703	3703
152	13,66	1,70	102,5	869	3857	3857
174	15,27	1,74	91,7	857	3874	3874
174	16,29	1,63	86,0	891	3987	3987
174	18,63	1,43	75,1	956	4231	4231
174	19,73	1,35	71,0	981	4338	4338
188	21,04	1,36	66,5	974	4345	4345
188	21,53	1,33	65,0	984	4390	4390
188	24,07	1,19	58,2	1029	4611	4611
246	25,20	1,49	55,6	1004	4530	4530
208	25,79	1,23	54,3	1013	4578	4578
208	27,81	1,14	50,3	1042	4736	4736
208	30,00	1,06	46,7	1069	4898	4898
256	32,55	1,20	43,0	1084	5020	5020
256	33,00	1,18	42,4	1089	5051	5051
256	34,09	1,15	41,1	1099	5124	5124
282	36,55	1,18	38,3	1091	5109	5109
282	38,75	1,11	36,1	1109	5246	5246
298	39,90	1,14	35,1	1100	5200	5200
298	42,63	1,07	32,8	1119	5359	5359
298	46,00	0,99	30,4	1140	5547	5547
298	47,20	0,96	29,7	1147	5612	5612
298	52,25	0,87	26,8	1172	5873	5873
298	57,86	0,79	24,2	1195	6000	6000
298	59,42	0,77	23,6	1201	6000	6000
298	72,83	0,62	19,2	1238	6000	6000

## IS053

Mn <sub>2</sub> [Nm]	i	Pn <sub>1</sub> [kW]	n <sub>2</sub> [rpm]	Fr1 [N]	Fr2 D [N]	Fr2 C-L [N]
300	36,50	1,28	38,4	1071	4990	4990
300	47,14	0,99	29,7	1147	5609	5609
300	57,79	0,81	24,2	1195	6000	6000
300	63,74	0,73	22,0	1214	6000	6000
300	74,20	0,63	18,9	1242	6000	6000
300	78,14	0,60	17,9	1250	6000	6000
298	95,84	0,48	14,6	1279	6000	6000
296	117,48	0,39	11,9	1302	6000	6000
300	137,45	0,34	10,2	1317	6000	6000
300	177,55	0,26	7,9	1338	6000	6000

## IS053

Mn <sub>2</sub> [Nm]	i	Pn <sub>1</sub> [kW]	n <sub>2</sub> [rpm]	Fr1 [N]	Fr2 D [N]	Fr2 C-L [N]
304	198,45	0,24	7,0	1345	6000	6000
298	217,64	0,21	6,4	1350	6000	6000
294	256,33	0,18	5,5	1359	6000	6000
292	314,21	0,14	4,5	1367	6000	6000

## IS062

Mn <sub>2</sub> [Nm]	i	Pn <sub>1</sub> [kW]	n <sub>2</sub> [rpm]	Fr1 [N]	Fr2 D [N]	Fr2 C-L [N]
238	8,00	4,54	175,0	350	5225	2090
238	8,92	4,07	156,9	459	5494	2197
260	9,55	4,16	146,7	441	5474	2190
260	10,65	3,73	131,5	541	5759	2303
282	11,71	3,68	119,6	554	5825	2330
302	13,06	3,53	107,2	583	5939	2376
302	13,36	3,45	104,8	602	6004	2401
324	15,94	3,10	87,8	684	6334	2533
324	16,16	3,06	86,6	694	6376	2551
324	19,29	2,57	72,6	810	6930	2772
332	19,55	2,59	71,6	805	6911	2764
338	23,18	2,23	60,4	888	7415	2966
338	23,75	2,17	59,0	901	7499	3000
346	25,14	2,10	55,7	919	7635	3054
346	27,66	1,91	50,6	963	7976	3190
360	30,00	1,83	46,7	981	8149	3260
460	33,93	2,07	41,3	1000	8364	3346
510	36,57	2,13	38,3	988	8280	3312
510	39,38	1,98	35,6	1018	8578	3431
510	43,64	1,78	32,1	1056	9005	3602
510	46,10	1,69	30,4	1075	9239	3695
510	48,30	1,61	29,0	1090	9441	3776
510	53,53	1,45	26,1	1121	9898	3959
510	55,00	1,42	25,4	1129	10000	4000
510	67,47	1,15	20,8	1181	10000	4000

## IS063

Mn <sub>2</sub> [Nm]	i	Pn <sub>1</sub> [kW]	n <sub>2</sub> [rpm]	Fr1 [N]	Fr2 D [N]	Fr2 C-L [N]
510	33,57	2,37	41,7	950	7943	3177
510	37,77	2,11	37,1	1001	8409	3364
510	40,05	1,99	35,0	1024	8648	3459
510	49,13	1,62	28,5	1095	9516	3806

## IS063

$Mn_2$ [Nm]	i	$Pn_1$ [kW]	n2 [rpm]	Fr1 [N]	Fr2 D [N]	Fr2 C-L [N]
510	55,29	1,44	25,3	1130	10000	4000
510	58,72	1,35	23,8	1147	10000	4000
510	65,85	1,21	21,3	1175	10000	4000
510	68,25	1,17	20,5	1183	10000	4000
510	73,63	1,08	19,0	1200	10000	4000
510	81,43	0,98	17,2	1220	10000	4000
510	99,89	0,80	14,0	1255	10000	4000
510	126,43	0,63	11,1	1287	10000	4000
510	150,85	0,53	9,3	1307	10000	4000
515	182,53	0,44	7,7	1324	10000	4000
515	185,05	0,43	7,6	1326	10000	4000
510	217,79	0,37	6,4	1338	10000	4000
510	267,16	0,30	5,2	1351	10000	4000

## IS082

$Mn_2$ [Nm]	i	$Pn_1$ [kW]	n2 [rpm]	Fr1 [N]	Fr2 D [N]	Fr2 C-L [N]
396	7,34	8,24	190,8	1261	12030	3437
432	8,06	8,18	173,6	1273	12302	3515
470	9,94	7,22	140,8	1482	13161	3760
505	11,61	6,64	120,6	1598	13797	3942
540	12,75	6,47	109,8	1632	14140	4040
545	14,04	5,93	99,7	1741	14645	4184
555	15,43	5,49	90,7	1838	15153	4329
555	15,73	5,39	89,0	1859	15264	4361
555	17,29	4,90	81,0	1962	15832	4523
555	19,03	4,45	73,6	2055	16420	4691
555	20,14	4,21	69,5	2107	16778	4794
575	22,13	3,97	63,3	2154	17288	4939
575	24,00	3,66	58,3	2219	17830	5094
575	26,05	3,37	53,8	2280	18000	5254
650	27,29	3,64	51,3	2228	18000	5253
650	28,67	3,46	48,8	2264	18000	5354
650	29,60	3,35	47,3	2287	18000	5419
850	31,78	4,08	44,1	2262	18000	5474
850	34,91	3,72	40,1	2327	18000	5676
850	35,50	3,66	39,4	2338	18000	5713
850	40,05	3,24	35,0	2412	18000	5983
850	43,05	3,01	32,5	2452	18000	6150
850	50,25	2,58	27,9	2529	18000	6521
850	54,27	2,39	25,8	2563	18000	6712
850	61,98	2,09	22,6	2616	18000	7055

## IS083

Mn <sub>2</sub> [Nm]	i	Pn <sub>1</sub> [kW]	n <sub>2</sub> [rpm]	Fr1 [N]	Fr2 D [N]	Fr2 C-L [N]
850	67,52	1,96	20,7	2646	18000	7200
850	74,18	1,79	18,9	2677	18000	7200
850	81,71	1,62	17,1	2705	18000	7200
850	91,49	1,45	15,3	2735	18000	7200
850	100,62	1,32	13,9	2758	18000	7200
850	117,17	1,13	11,9	2791	18000	7200
850	128,73	1,03	10,9	2808	18000	7200
850	136,34	0,97	10,3	2818	18000	7200
850	158,76	0,83	8,8	2842	18000	7200
850	184,88	0,72	7,6	2863	18000	7200
855	203,11	0,66	6,9	2874	18000	7200
850	205,34	0,65	6,8	2875	18000	7200
850	226,04	0,59	6,2	2885	18000	7200
850	250,50	0,53	5,6	2895	18000	7200
845	266,13	0,50	5,3	2901	18000	7200
845	292,36	0,45	4,8	2908	18000	7200
845	315,73	0,42	4,4	2914	18000	7200
845	360,58	0,37	3,9	2923	18000	7200

## IS102

Mn <sub>2</sub> [Nm]	i	Pn <sub>1</sub> [kW]	n <sub>2</sub> [rpm]	Fr1 [N]	Fr2 D [N]	Fr2 C-L [N]
610	8,06	11,55	173,6	647	15163	4332
650	8,85	11,22	158,3	729	15574	4450
685	10,88	9,61	128,6	1050	16712	4775
720	12,75	8,62	109,8	1247	17610	5032
865	13,99	9,44	100,1	1084	17719	5063
900	15,43	8,91	90,7	1189	18274	5221
940	17,21	8,34	81,3	1311	18935	5410
1010	19,00	8,12	73,7	1352	19415	5547
1010	20,83	7,40	67,2	1496	20125	5750
1010	22,13	6,97	63,3	1583	20603	5886
1080	24,28	6,79	57,7	1616	21097	6028
1080	26,33	6,26	53,2	1724	21777	6222
1080	29,87	5,52	46,9	1873	22000	6533
1280	32,40	6,03	43,2	1961	22000	6741
1195	34,91	5,23	40,1	2098	22000	7011
1280	38,30	5,10	36,5	2119	22000	7187
1195	42,53	4,29	32,9	2258	22000	7553
1110	44,00	3,85	31,8	2333	22000	7724
1365	47,13	4,42	29,7	2235	22000	7701
1195	50,25	3,63	27,9	2370	22000	8039

## IS102

Mn <sub>2</sub> [Nm]	i	Pn <sub>1</sub> [kW]	n <sub>2</sub> [rpm]	Fr1 [N]	Fr2 D [N]	Fr2 C-L [N]
1110	55,14	3,07	25,4	2465	22000	8396
1365	59,40	3,51	23,6	2391	22000	8406
1365	67,84	3,07	20,6	2465	22000	8836

## IS103

Mn <sub>2</sub> [Nm]	i	Pn <sub>1</sub> [kW]	n <sub>2</sub> [rpm]	Fr1 [N]	Fr2 D [N]	Fr2 C-L [N]
1365	74,18	2,87	18,9	2510	22000	9000
1365	81,39	2,62	17,2	2552	22000	9000
1365	89,77	2,37	15,6	2593	22000	9000
1365	100,15	2,13	14,0	2634	22000	9000
1365	110,55	1,93	12,7	2667	22000	9000
1365	121,29	1,76	11,5	2696	22000	9000
1365	128,73	1,65	10,9	2713	22000	9000
1365	141,24	1,51	9,9	2737	22000	9000
1370	173,78	1,23	8,1	2784	22000	9000
1365	188,51	1,13	7,4	2800	22000	9000
1365	203,11	1,05	6,9	2814	22000	9000
1365	222,85	0,96	6,3	2829	22000	9000
1365	224,76	0,95	6,2	2831	22000	9000
1365	274,20	0,78	5,1	2859	22000	9000
1365	280,89	0,76	5,0	2862	22000	9000
1360	292,36	0,73	4,8	2867	22000	9000
1370	320,79	0,67	4,4	2878	22000	9000
1360	345,60	0,61	4,0	2886	22000	9000
1360	394,69	0,54	3,5	2899	22000	9000

## IS122

Mn <sub>2</sub> [Nm]	i	Pn <sub>1</sub> [kW]	n <sub>2</sub> [rpm]	Fr1 [N]	Fr2 D [N]	Fr2 C-L [N]
1080	8,48	19,44	165,1	2951	19587	5596
1225	9,30	20,12	150,6	2916	19606	5602
1225	10,24	18,27	136,7	3013	20448	5842
1370	11,42	18,33	122,6	3010	20674	5907
1590	12,63	19,23	110,9	2966	20480	5851
1735	13,84	19,14	101,2	2970	20608	5888
1880	16,99	16,89	82,4	3087	21932	6266
2020	21,25	14,52	65,9	3209	23608	6745
2020	22,37	13,79	62,6	3247	24191	6912
2095	23,29	13,74	60,1	3251	24280	6937
2165	26,15	12,64	53,5	3307	25277	7222

## IS122

Mn <sub>2</sub> [Nm]	i	Pn <sub>1</sub> [kW]	n <sub>2</sub> [rpm]	Fr1 [N]	Fr2 D [N]	Fr2 C-L [N]
2165	28,60	11,56	49,0	3364	26374	7535
2560	30,51	12,81	45,9	3401	27189	7768
2560	32,76	11,93	42,7	3440	28102	8029
2560	33,44	11,69	41,9	3451	28374	8107
2560	35,20	11,11	39,8	3476	29050	8300
2560	41,07	9,52	34,1	3546	30000	8903
2560	43,60	8,97	32,1	3571	30000	9145
2050	44,63	7,01	31,4	3657	30000	9890
2050	49,04	6,38	28,6	3685	30000	10285
2220	53,75	6,31	26,1	3688	30000	10464
2560	66,00	5,92	21,2	3705	30000	10962

## IS123

Mn <sub>2</sub> [Nm]	i	Pn <sub>1</sub> [kW]	n <sub>2</sub> [rpm]	Fr1 [N]	Fr2 D [N]	Fr2 C-L [N]
2305	64,84	5,54	21,6	3727	30000	11200
2305	71,07	5,06	19,7	3748	30000	11200
2305	78,46	4,58	17,8	3746	30000	11200
2560	87,27	4,57	16,0	3768	30000	11200
2560	105,91	3,77	13,2	3803	30000	11200
2560	112,52	3,55	12,4	3813	30000	11200
2560	123,33	3,24	11,3	3826	30000	11200
2560	130,04	3,07	10,8	3833	30000	11200
2565	133,78	2,99	10,5	3837	30000	11200
2560	151,43	2,64	9,2	3852	30000	11200
2565	177,53	2,25	7,9	3869	30000	11200
2555	194,59	2,05	7,2	3877	30000	11200
2560	215,60	1,85	6,5	3886	30000	11200
2565	238,93	1,67	5,9	3894	30000	11200

## IS142

Mn <sub>2</sub> [Nm]	i	Pn <sub>1</sub> [kW]	n <sub>2</sub> [rpm]	Fr1 [N]	Fr2 D [N]	Fr2 C-L [N]
1080	7,32	22,54	191,3	2957	23226	13272
1180	8,21	21,95	170,6	2957	22867	13067
1300	9,29	21,38	150,8	2956	22289	12736
1355	9,91	20,87	141,2	2956	21893	12510
1445	11,41	19,35	122,7	3067	22171	12669
1880	12,81	22,41	109,3	3381	25452	14544
1760	14,27	18,83	98,1	3628	28542	16309
1915	16,01	18,27	87,5	3668	28716	16409

## IS142

Mn <sub>2</sub> [Nm]	i	Pn <sub>1</sub> [kW]	n <sub>2</sub> [rpm]	Fr1 [N]	Fr2 D [N]	Fr2 C-L [N]
2165	18,11	18,26	77,3	3668	28033	16019
2315	19,33	18,29	72,4	3667	27555	15746
2395	22,24	16,44	62,9	3791	29179	16674
2090	25,26	12,63	55,4	4045	34856	18500
2345	28,33	12,64	49,4	4045	34308	18500
3135	32,05	14,94	43,7	4045	33434	18500
3350	34,22	14,95	40,9	4045	32836	18500
3785	39,38	14,68	35,6	4061	31852	18201

## IS143

Mn <sub>2</sub> [Nm]	i	Pn <sub>1</sub> [kW]	n <sub>2</sub> [rpm]	Fr1 [N]	Fr2 D [N]	Fr2 C-L [N]
3425	45,77	11,67	30,6	4200	35000	18500
3815	50,97	11,67	27,5	4200	35000	18500
4045	57,17	11,03	24,5	4200	35000	18500
4075	64,68	9,83	21,6	4200	35000	18500
4165	69,06	9,41	20,3	4200	35000	18500
3615	79,45	7,10	17,6	4200	35000	18500
3790	98,81	5,98	14,2	4200	35000	18500
4045	110,05	5,73	12,7	4200	35000	18500
4060	123,44	5,13	11,3	4200	35000	18500
4135	139,64	4,62	10,0	4200	35000	18500
4085	149,10	4,27	9,4	4200	35000	18500
3245	157,49	3,21	8,9	4200	35000	18500
3990	171,55	3,63	8,2	4200	35000	18500
3615	175,41	3,21	8,0	4200	35000	18500
4055	196,74	3,21	7,1	4200	35000	18500
4025	222,57	2,82	6,3	4200	35000	18500
4170	237,63	2,74	5,9	4200	35000	18500
4090	273,41	2,33	5,1	4200	35000	18500

## IS152

Mn <sub>2</sub> [Nm]	i	Pn <sub>1</sub> [kW]	n <sub>2</sub> [rpm]	Fr1 [N]	Fr2 D [N]	Fr2 C-L [N]
2390	12,46	29,28	112,3	4454	38494	19400
2665	13,91	29,26	100,7	4454	38629	19400
3060	15,97	29,26	87,7	4454	38576	19400
3360	17,53	29,28	79,9	4454	38385	19400
3710	19,91	28,46	70,3	4454	37896	19400
3995	22,88	26,66	61,2	4454	36997	19400
4400	27,11	24,79	51,6	4636	40000	19400



## IS152

$Mn_2$ [Nm]	i	$Pn_1$ [kW]	n2 [rpm]	Fr1 [N]	Fr2 D [N]	Fr2 C-L [N]
4830	29,75	24,79	47,1	4636	40000	19400
6485	33,79	29,31	41,4	4636	38670	19400
6570	38,84	25,83	36,0	4756	40000	19400

## IS153

$Mn_2$ [Nm]	i	$Pn_1$ [kW]	n2 [rpm]	Fr1 [N]	Fr2 D [N]	Fr2 C-L [N]
5365	40,10	20,86	34,9	4941	40000	19400
5990	44,76	20,87	31,3	4941	40000	19400
6720	51,38	20,40	27,2	4957	40000	19400
7050	56,39	19,50	24,8	4987	40000	19400
7515	64,05	18,30	21,9	5028	40000	19400
6645	73,63	14,08	19,0	5170	40000	19400
6070	87,16	10,86	16,1	5200	40000	19400
6775	97,27	10,86	14,4	5200	40000	19400
7775	111,67	10,86	12,5	5200	40000	19400
8145	122,57	10,36	11,4	5200	40000	19400
7810	139,21	8,75	10,1	5200	40000	19400
6090	154,02	6,17	9,1	5200	40000	19400
6905	160,02	6,73	8,8	5200	40000	19400
6990	176,81	6,17	7,9	5200	40000	19400
7675	194,06	6,17	7,2	5200	40000	19400
7990	220,42	5,65	6,3	5200	40000	19400
7070	253,36	4,35	5,5	5200	40000	19400

## IS052

Mn <sub>2</sub> [Nm]	i	Pn <sub>1</sub> [kW]	n <sub>2</sub> [rpm]	Fr1 [N]	Fr2 D [N]	Fr2 C-L [N]
123	8,63	1,77	132,2	700	3657	3657
137	11,14	1,53	102,3	795	3949	3949
145	12,00	1,50	95,0	809	4016	4016
152	13,66	1,38	83,5	855	4183	4183
174	15,27	1,42	74,6	843	4209	4209
174	16,29	1,33	70,0	878	4330	4330
174	18,63	1,16	61,2	945	4591	4591
174	19,73	1,10	57,8	971	4706	4706
188	21,04	1,11	54,2	964	4718	4718
188	21,53	1,09	53,0	974	4766	4766
188	24,07	0,97	47,4	1019	5003	5003
246	25,20	1,21	45,2	994	4924	4924
208	25,79	1,00	44,2	1003	4975	4975
208	27,81	0,93	41,0	1033	5144	5144
208	30,00	0,86	38,0	1060	5318	5318
256	32,55	0,98	35,0	1076	5451	5451
256	33,00	0,96	34,5	1081	5484	5484
256	34,09	0,93	33,4	1091	5562	5562
282	36,55	0,96	31,2	1083	5554	5554
282	38,75	0,90	29,4	1101	5701	5701
298	39,90	0,93	28,6	1092	5656	5656
298	42,63	0,87	26,7	1112	5827	5827
298	46,00	0,81	24,8	1134	6000	6000
298	47,20	0,78	24,1	1141	6000	6000
298	52,25	0,71	21,8	1166	6000	6000
298	57,86	0,64	19,7	1190	6000	6000
298	59,42	0,62	19,2	1195	6000	6000
298	72,83	0,51	15,7	1234	6000	6000

## IS053

Mn <sub>2</sub> [Nm]	i	Pn <sub>1</sub> [kW]	n <sub>2</sub> [rpm]	Fr1 [N]	Fr2 D [N]	Fr2 C-L [N]
300	36,50	1,04	31,2	1063	5432	5432
300	47,14	0,81	24,2	1140	6000	6000
300	57,79	0,66	19,7	1189	6000	6000
300	63,74	0,60	17,9	1210	6000	6000
300	74,20	0,51	15,4	1237	6000	6000
300	78,14	0,49	14,6	1246	6000	6000
298	95,84	0,39	11,9	1276	6000	6000
296	117,48	0,32	9,7	1300	6000	6000
300	137,45	0,28	8,3	1315	6000	6000
300	177,55	0,21	6,4	1336	6000	6000

## IS053

Mn <sub>2</sub> [Nm]	i	Pn <sub>1</sub> [kW]	n <sub>2</sub> [rpm]	Fr1 [N]	Fr2 D [N]	Fr2 C-L [N]
304	198,45	0,19	5,7	1343	6000	6000
298	217,64	0,17	5,2	1349	6000	6000
294	256,33	0,15	4,5	1357	6000	6000
292	314,21	0,12	3,6	1367	6000	6000

## IS062

Mn <sub>2</sub> [Nm]	i	Pn <sub>1</sub> [kW]	n <sub>2</sub> [rpm]	Fr1 [N]	Fr2 D [N]	Fr2 C-L [N]
238	8,00	3,70	142,5	323	5686	2275
238	8,92	3,32	127,8	435	5973	2389
260	9,55	3,39	119,4	416	5962	2385
260	10,65	3,04	107,1	519	6266	2506
282	11,71	2,99	97,4	532	6346	2538
302	13,06	2,88	87,3	562	6476	2590
302	13,36	2,81	85,3	581	6545	2618
324	15,94	2,53	71,5	666	6907	2763
324	16,16	2,49	70,5	676	6952	2781
324	19,29	2,09	59,1	795	7545	3018
332	19,55	2,11	58,3	790	7527	3011
338	23,18	1,81	49,2	875	8070	3228
338	23,75	1,77	48,0	888	8160	3264
346	25,14	1,71	45,3	906	8308	3323
346	27,66	1,56	41,2	952	8673	3469
360	30,00	1,49	38,0	970	8864	3545
460	33,93	1,69	33,6	990	9105	3642
510	36,57	1,73	31,2	977	9032	3613
510	39,38	1,61	28,9	1008	9351	3740
510	43,64	1,45	26,1	1047	9808	3923
510	46,10	1,38	24,7	1066	10000	4000
510	48,30	1,31	23,6	1082	10000	4000
510	53,53	1,18	21,3	1114	10000	4000
510	55,00	1,15	20,7	1122	10000	4000
510	67,47	0,94	16,9	1175	10000	4000

## IS063

Mn <sub>2</sub> [Nm]	i	Pn <sub>1</sub> [kW]	n <sub>2</sub> [rpm]	Fr1 [N]	Fr2 D [N]	Fr2 C-L [N]
510	33,57	1,93	34,0	939	8672	3469
510	37,77	1,71	30,2	991	9171	3668
510	40,05	1,62	28,5	1015	9426	3770
510	49,13	1,32	23,2	1088	10000	4000

## IS063

Mn <sub>2</sub> [Nm]	i	Pn <sub>1</sub> [kW]	n <sub>2</sub> [rpm]	Fr1 [N]	Fr2 D [N]	Fr2 C-L [N]
510	55,29	1,17	20,6	1123	10000	4000
510	58,72	1,10	19,4	1140	10000	4000
510	65,85	0,98	17,3	1169	10000	4000
510	68,25	0,95	16,7	1178	10000	4000
510	73,63	0,88	15,5	1194	10000	4000
510	81,43	0,80	14,0	1215	10000	4000
510	99,89	0,65	11,4	1251	10000	4000
510	126,43	0,51	9,0	1284	10000	4000
510	150,85	0,43	7,6	1304	10000	4000
515	182,53	0,36	6,2	1322	10000	4000
515	185,05	0,35	6,2	1324	10000	4000
510	217,79	0,30	5,2	1336	10000	4000
510	267,16	0,24	4,3	1350	10000	4000

## IS082

Mn <sub>2</sub> [Nm]	i	Pn <sub>1</sub> [kW]	n <sub>2</sub> [rpm]	Fr1 [N]	Fr2 D [N]	Fr2 C-L [N]
396	7,34	6,71	155,3	1218	12956	3702
432	8,06	6,66	141,4	1230	13254	3787
470	9,94	5,88	114,6	1444	14180	4052
505	11,61	5,41	98,2	1563	14869	4248
540	12,75	5,27	89,4	1599	15243	4355
545	14,04	4,83	81,2	1710	15785	4510
555	15,43	4,47	73,9	1809	16330	4666
555	15,73	4,39	72,5	1831	16449	4700
555	17,29	3,99	65,9	1936	17056	4873
555	19,03	3,63	59,9	2032	17686	5053
555	20,14	3,43	56,6	2085	18000	5163
575	22,13	3,23	51,5	2134	18000	5320
575	24,00	2,98	47,5	2200	18000	5485
575	26,05	2,74	43,8	2262	18000	5657
650	27,29	2,96	41,8	2209	18000	5660
650	28,67	2,82	39,8	2246	18000	5767
650	29,60	2,73	38,5	2269	18000	5837
850	31,78	3,33	35,9	2244	18000	5900
850	34,91	3,03	32,7	2311	18000	6116
850	35,50	2,98	32,1	2322	18000	6156
850	40,05	2,64	28,5	2398	18000	6445
850	43,05	2,45	26,5	2439	18000	6624
850	50,25	2,10	22,7	2517	18000	7020
850	54,27	1,95	21,0	2552	18000	7200
850	61,98	1,71	18,4	2606	18000	7200

## IS083

Mn <sub>2</sub> [Nm]	i	Pn <sub>1</sub> [kW]	n <sub>2</sub> [rpm]	Fr1 [N]	Fr2 D [N]	Fr2 C-L [N]
850	67,52	1,60	16,9	2638	18000	7200
850	74,18	1,46	15,4	2669	18000	7200
850	81,71	1,32	13,9	2698	18000	7200
850	91,49	1,18	12,5	2729	18000	7200
850	100,62	1,07	11,3	2753	18000	7200
850	117,17	0,92	9,7	2786	18000	7200
850	128,73	0,84	8,9	2804	18000	7200
850	136,34	0,79	8,4	2814	18000	7200
850	158,76	0,68	7,2	2838	18000	7200
850	184,88	0,58	6,2	2859	18000	7200
855	203,11	0,53	5,6	2871	18000	7200
850	205,34	0,53	5,5	2872	18000	7200
850	226,04	0,48	5,0	2883	18000	7200
850	250,50	0,43	4,5	2893	18000	7200
845	266,13	0,40	4,3	2898	18000	7200
845	292,36	0,37	3,9	2906	18000	7200
845	315,73	0,34	3,6	2912	18000	7200
845	360,58	0,30	3,2	2922	18000	7200

## IS102

Mn <sub>2</sub> [Nm]	i	Pn <sub>1</sub> [kW]	n <sub>2</sub> [rpm]	Fr1 [N]	Fr2 D [N]	Fr2 C-L [N]
610	8,06	9,41	141,4	589	16327	4665
650	8,85	9,14	128,9	673	16772	4792
685	10,88	7,83	104,7	1002	17996	5142
720	12,75	7,02	89,4	1203	18963	5418
865	13,99	7,69	81,5	1036	19103	5458
900	15,43	7,25	73,9	1144	19702	5629
940	17,21	6,79	66,2	1269	20416	5833
1010	19,00	6,61	60,0	1311	20941	5983
1010	20,83	6,03	54,7	1459	21700	6200
1010	22,13	5,68	51,5	1548	22000	6346
1080	24,28	5,53	47,0	1582	22000	6501
1080	26,33	5,10	43,3	1692	22000	6709
1080	29,87	4,50	38,2	1845	22000	7042
1280	32,40	4,91	35,2	1935	22000	7264
1195	34,91	4,26	32,7	2076	22000	7550
1280	38,30	4,16	29,8	2097	22000	7742
1195	42,53	3,49	26,8	2239	22000	8129
1110	44,00	3,14	25,9	2316	22000	8309
1365	47,13	3,60	24,2	2216	22000	8295
1195	50,25	2,96	22,7	2355	22000	8650

## IS102

Mn <sub>2</sub> [Nm]	i	Pn <sub>1</sub> [kW]	n <sub>2</sub> [rpm]	Fr1 [N]	Fr2 D [N]	Fr2 C-L [N]
1110	55,14	2,50	20,7	2452	22000	9000
1365	59,40	2,86	19,2	2376	22000	9000
1365	67,84	2,50	16,8	2452	22000	9000

## IS103

Mn <sub>2</sub> [Nm]	i	Pn <sub>1</sub> [kW]	n <sub>2</sub> [rpm]	Fr1 [N]	Fr2 D [N]	Fr2 C-L [N]
1365	74,18	2,34	15,4	2498	22000	9000
1365	81,39	2,13	14,0	2541	22000	9000
1365	89,77	1,93	12,7	2583	22000	9000
1365	100,15	1,73	11,4	2625	22000	9000
1365	110,55	1,57	10,3	2659	22000	9000
1365	121,29	1,43	9,4	2689	22000	9000
1365	128,73	1,35	8,9	2706	22000	9000
1365	141,24	1,23	8,1	2731	22000	9000
1370	173,78	1,00	6,6	2779	22000	9000
1365	188,51	0,92	6,0	2796	22000	9000
1365	203,11	0,85	5,6	2810	22000	9000
1365	222,85	0,78	5,1	2825	22000	9000
1365	224,76	0,77	5,1	2827	22000	9000
1365	274,20	0,63	4,2	2856	22000	9000
1365	280,89	0,62	4,1	2859	22000	9000
1360	292,36	0,59	3,9	2864	22000	9000
1370	320,79	0,54	3,5	2875	22000	9000
1360	345,60	0,50	3,3	2883	22000	9000
1360	394,69	0,44	2,9	2897	22000	9000

## IS122

Mn <sub>2</sub> [Nm]	i	Pn <sub>1</sub> [kW]	n <sub>2</sub> [rpm]	Fr1 [N]	Fr2 D [N]	Fr2 C-L [N]
1080	8,48	15,83	134,4	2925	21217	6062
1225	9,30	16,38	122,6	2890	21272	6078
1225	10,24	14,88	111,3	2989	22173	6335
1370	11,42	14,92	99,9	2987	22449	6414
1590	12,63	15,66	90,3	2941	22293	6369
1735	13,84	15,59	82,4	2945	22464	6418
1880	16,99	13,76	67,1	3066	23915	6833
2020	21,25	11,82	53,6	3190	25743	7355
2020	22,37	11,23	51,0	3229	26367	7533
2095	23,29	11,18	48,9	3233	26480	7566
2165	26,15	10,29	43,6	3291	27563	7875

## IS122

Mn <sub>2</sub> [Nm]	i	Pn <sub>1</sub> [kW]	n <sub>2</sub> [rpm]	Fr1 [N]	Fr2 D [N]	Fr2 C-L [N]
2165	28,60	9,41	39,9	3349	28737	8211
2560	30,51	10,43	37,4	3387	29609	8460
2560	32,76	9,72	34,8	3427	30000	8739
2560	33,44	9,52	34,1	3438	30000	8822
2560	35,20	9,04	32,4	3464	30000	9029
2560	41,07	7,75	27,8	3536	30000	9674
2560	43,60	7,30	26,1	3561	30000	9933
2050	44,63	5,71	25,5	3649	30000	10701
2050	49,04	5,20	23,2	3678	30000	11123
2220	53,75	5,14	21,2	3681	30000	11200
2560	66,00	4,82	17,3	3698	30000	11200

## IS123

Mn <sub>2</sub> [Nm]	i	Pn <sub>1</sub> [kW]	n <sub>2</sub> [rpm]	Fr1 [N]	Fr2 D [N]	Fr2 C-L [N]
2305	64,84	4,51	17,6	3721	30000	11200
2305	71,07	4,12	16,0	3742	30000	11200
2305	78,46	3,73	14,5	3741	30000	11200
2560	87,27	3,73	13,1	3763	30000	11200
2560	105,91	3,07	10,8	3799	30000	11200
2560	112,52	2,89	10,1	3809	30000	11200
2560	123,33	2,64	9,2	3822	30000	11200
2560	130,04	2,50	8,8	3830	30000	11200
2565	133,78	2,43	8,5	3834	30000	11200
2560	151,43	2,15	7,5	3849	30000	11200
2565	177,53	1,83	6,4	3866	30000	11200
2555	194,59	1,67	5,9	3875	30000	11200
2560	215,60	1,51	5,3	3884	30000	11200
2565	238,93	1,36	4,8	3892	30000	11200

## IS142

Mn <sub>2</sub> [Nm]	i	Pn <sub>1</sub> [kW]	n <sub>2</sub> [rpm]	Fr1 [N]	Fr2 D [N]	Fr2 C-L [N]
1080	7,32	18,35	155,8	2909	25537	14593
1180	8,21	17,88	138,9	2909	25236	14420
1300	9,29	17,41	122,8	2908	24718	14124
1355	9,91	17,00	115,0	2908	24353	13916
1445	11,41	15,75	100,0	3022	24729	14131
1880	12,81	18,25	89,0	3343	28171	16098
1760	14,27	15,34	79,9	3597	31412	17950
1915	16,01	14,88	71,2	3637	31675	18100

## IS142

Mn <sub>2</sub> [Nm]	i	Pn <sub>1</sub> [kW]	n <sub>2</sub> [rpm]	Fr1 [N]	Fr2 D [N]	Fr2 C-L [N]
2165	18,11	14,87	63,0	3637	31068	17753
2315	19,33	14,89	59,0	3637	30628	17502
2395	22,24	13,39	51,2	3763	32406	18500
2090	25,26	10,29	45,1	4024	35000	18500
2345	28,33	10,29	40,2	4024	35000	18500
3135	32,05	12,16	35,6	4024	35000	18500
3350	34,22	12,17	33,3	4024	35000	18500
3785	39,38	11,95	28,9	4040	35000	18500

## IS143

Mn <sub>2</sub> [Nm]	i	Pn <sub>1</sub> [kW]	n <sub>2</sub> [rpm]	Fr1 [N]	Fr2 D [N]	Fr2 C-L [N]
3425	45,77	9,50	24,9	4200	35000	18500
3815	50,97	9,50	22,4	4200	35000	18500
4045	57,17	8,98	19,9	4200	35000	18500
4075	64,68	8,00	17,6	4200	35000	18500
4165	69,06	7,66	16,5	4200	35000	18500
3615	79,45	5,78	14,3	4200	35000	18500
3790	98,81	4,87	11,5	4200	35000	18500
4045	110,05	4,67	10,4	4200	35000	18500
4060	123,44	4,18	9,2	4200	35000	18500
4135	139,64	3,76	8,2	4200	35000	18500
4085	149,10	3,48	7,7	4200	35000	18500
3245	157,49	2,62	7,2	4200	35000	18500
3990	171,55	2,95	6,7	4200	35000	18500
3615	175,41	2,62	6,5	4200	35000	18500
4055	196,74	2,62	5,8	4200	35000	18500
4025	222,57	2,30	5,1	4200	35000	18500
4170	237,63	2,23	4,8	4200	35000	18500
4090	273,41	1,90	4,2	4200	35000	18500

## IS152

Mn <sub>2</sub> [Nm]	i	Pn <sub>1</sub> [kW]	n <sub>2</sub> [rpm]	Fr1 [N]	Fr2 D [N]	Fr2 C-L [N]
2390	12,46	23,85	91,5	4424	40000	19400
2665	13,91	23,82	82,0	4425	40000	19400
3060	15,97	23,83	71,4	4425	40000	19400
3360	17,53	23,84	65,0	4424	40000	19400
3710	19,91	23,17	57,3	4424	40000	19400
3995	22,88	21,71	49,8	4424	40000	19400
4400	27,11	20,18	42,1	4611	40000	19400



## IS152

Mn <sub>2</sub> [Nm]	i	Pn <sub>1</sub> [kW]	n <sub>2</sub> [rpm]	Fr1 [N]	Fr2 D [N]	Fr2 C-L [N]
4830	29,75	20,19	38,3	4611	40000	19400
6485	33,79	23,86	33,7	4611	40000	19400
6570	38,84	21,03	29,4	4734	40000	19400

## IS153

Mn <sub>2</sub> [Nm]	i	Pn <sub>1</sub> [kW]	n <sub>2</sub> [rpm]	Fr1 [N]	Fr2 D [N]	Fr2 C-L [N]
5365	40,10	16,99	28,4	4924	40000	19400
5990	44,76	17,00	25,5	4924	40000	19400
6720	51,38	16,61	22,2	4940	40000	19400
7050	56,39	15,88	20,2	4971	40000	19400
7515	64,05	14,90	17,8	5013	40000	19400
6645	73,63	11,46	15,5	5158	40000	19400
6070	87,16	8,84	13,1	5200	40000	19400
6775	97,27	8,84	11,7	5200	40000	19400
7775	111,67	8,84	10,2	5200	40000	19400
8145	122,57	8,44	9,3	5200	40000	19400
7810	139,21	7,12	8,2	5200	40000	19400
6090	154,02	5,02	7,4	5200	40000	19400
6905	160,02	5,48	7,1	5200	40000	19400
6990	176,81	5,02	6,5	5200	40000	19400
7675	194,06	5,02	5,9	5200	40000	19400
7990	220,42	4,60	5,2	5200	40000	19400
7070	253,36	3,54	4,5	5200	40000	19400

## IS052

Mn <sub>2</sub> [Nm]	i	Pn <sub>1</sub> [kW]	n <sub>2</sub> [rpm]	Fr1 [N]	Fr2 D [N]	Fr2 C-L [N]
123	8,63	1,39	104,3	683	4011	4011
137	11,14	1,20	80,8	781	4334	4334
145	12,00	1,17	75,0	795	4409	4409
152	13,66	1,08	65,9	842	4593	4593
174	15,27	1,11	58,9	830	4631	4631
174	16,29	1,04	55,3	866	4762	4762
174	18,63	0,91	48,3	934	5045	5045
174	19,73	0,86	45,6	960	5169	5169
188	21,04	0,87	42,8	953	5189	5189
188	21,53	0,85	41,8	963	5241	5241
188	24,07	0,76	37,4	1010	5496	5496
246	25,20	0,95	35,7	984	5422	5422
208	25,79	0,78	34,9	994	5476	5476
208	27,81	0,73	32,4	1024	5659	5659
208	30,00	0,67	30,0	1052	5848	5848
256	32,55	0,76	27,6	1068	5994	5994
256	33,00	0,75	27,3	1073	6000	6000
256	34,09	0,73	26,4	1083	6000	6000
282	36,55	0,75	24,6	1075	6000	6000
282	38,75	0,71	23,2	1094	6000	6000
298	39,90	0,73	22,6	1084	6000	6000
298	42,63	0,68	21,1	1105	6000	6000
298	46,00	0,63	19,6	1127	6000	6000
298	47,20	0,61	19,1	1134	6000	6000
298	52,25	0,55	17,2	1161	6000	6000
298	57,86	0,50	15,6	1184	6000	6000
298	59,42	0,49	15,2	1190	6000	6000
298	72,83	0,40	12,4	1230	6000	6000

## IS053

Mn <sub>2</sub> [Nm]	i	Pn <sub>1</sub> [kW]	n <sub>2</sub> [rpm]	Fr1 [N]	Fr2 D [N]	Fr2 C-L [N]
300	36,50	0,82	24,7	1054	5991	5991
300	47,14	0,63	19,1	1134	6000	6000
300	57,79	0,52	15,6	1184	6000	6000
300	63,74	0,47	14,1	1205	6000	6000
300	74,20	0,40	12,1	1233	6000	6000
300	78,14	0,38	11,5	1242	6000	6000
298	95,84	0,31	9,4	1272	6000	6000
296	117,48	0,25	7,7	1297	6000	6000
300	137,45	0,22	6,5	1313	6000	6000
300	177,55	0,17	5,1	1334	6000	6000

## IS053

Mn <sub>2</sub> [Nm]	i	Pn <sub>1</sub> [kW]	n <sub>2</sub> [rpm]	Fr1 [N]	Fr2 D [N]	Fr2 C-L [N]
304	198,45	0,15	4,5	1342	6000	6000
298	217,64	0,14	4,1	1347	6000	6000
294	256,33	0,11	3,5	1356	6000	6000
292	314,21	0,09	2,9	1366	6000	6000

## IS062

Mn <sub>2</sub> [Nm]	i	Pn <sub>1</sub> [kW]	n <sub>2</sub> [rpm]	Fr1 [N]	Fr2 D [N]	Fr2 C-L [N]
238	8,00	2,89	112,5	297	6269	2508
238	8,92	2,59	100,9	412	6580	2632
260	9,55	2,65	94,3	392	6578	2631
260	10,65	2,37	84,5	497	6907	2763
282	11,71	2,34	76,9	511	7004	2802
302	13,06	2,25	68,9	542	7156	2862
302	13,36	2,20	67,4	561	7231	2892
324	15,94	1,98	56,5	648	7633	3053
324	16,16	1,95	55,7	658	7682	3073
324	19,29	1,63	46,7	780	8323	3329
332	19,55	1,65	46,0	775	8308	3323
338	23,18	1,42	38,8	862	8898	3559
338	23,75	1,38	37,9	875	8995	3598
346	25,14	1,34	35,8	894	9159	3663
346	27,66	1,22	32,5	941	9553	3821
360	30,00	1,17	30,0	960	9767	3907
460	33,93	1,32	26,5	980	10000	4000
510	36,57	1,36	24,6	967	9986	3994
510	39,38	1,26	22,9	998	10000	4000
510	43,64	1,14	20,6	1038	10000	4000
510	46,10	1,08	19,5	1058	10000	4000
510	48,30	1,03	18,6	1074	10000	4000
510	53,53	0,93	16,8	1107	10000	4000
510	55,00	0,90	16,4	1115	10000	4000
510	67,47	0,73	13,3	1169	10000	4000

## IS063

Mn <sub>2</sub> [Nm]	i	Pn <sub>1</sub> [kW]	n <sub>2</sub> [rpm]	Fr1 [N]	Fr2 D [N]	Fr2 C-L [N]
510	33,57	1,51	26,8	927	9596	3839
510	37,77	1,34	23,8	981	10000	4000
510	40,05	1,26	22,5	1005	10000	4000
510	49,13	1,03	18,3	1080	10000	4000

## IS063

Mn <sub>2</sub> [Nm]	i	Pn <sub>1</sub> [kW]	n <sub>2</sub> [rpm]	Fr1 [N]	Fr2 D [N]	Fr2 C-L [N]
510	55,29	0,92	16,3	1116	10000	4000
510	58,72	0,86	15,3	1133	10000	4000
510	65,85	0,77	13,7	1163	10000	4000
510	68,25	0,74	13,2	1172	10000	4000
510	73,63	0,69	12,2	1189	10000	4000
510	81,43	0,62	11,1	1210	10000	4000
510	99,89	0,51	9,0	1247	10000	4000
510	126,43	0,40	7,1	1281	10000	4000
510	150,85	0,34	6,0	1302	10000	4000
515	182,53	0,28	4,9	1320	10000	4000
515	185,05	0,28	4,9	1321	10000	4000
510	217,79	0,23	4,1	1335	10000	4000
510	267,16	0,19	3,4	1348	10000	4000

## IS082

Mn <sub>2</sub> [Nm]	i	Pn <sub>1</sub> [kW]	n <sub>2</sub> [rpm]	Fr1 [N]	Fr2 D [N]	Fr2 C-L [N]
396	7,34	5,24	122,6	1175	14112	4032
432	8,06	5,21	111,6	1188	14444	4127
470	9,94	4,59	90,5	1406	15455	4416
505	11,61	4,23	77,5	1529	16209	4631
540	12,75	4,12	70,6	1565	16623	4749
545	14,04	3,77	64,1	1678	17211	4917
555	15,43	3,50	58,3	1780	17802	5086
555	15,73	3,43	57,2	1803	17931	5123
555	17,29	3,12	52,0	1910	18000	5311
555	19,03	2,83	47,3	2009	18000	5505
555	20,14	2,68	44,7	2063	18000	5623
575	22,13	2,53	40,7	2113	18000	5795
575	24,00	2,33	37,5	2181	18000	5974
575	26,05	2,15	34,5	2244	18000	6159
650	27,29	2,32	33,0	2190	18000	6168
650	28,67	2,20	31,4	2228	18000	6285
650	29,60	2,13	30,4	2252	18000	6360
850	31,78	2,60	28,3	2226	18000	6433
850	34,91	2,37	25,8	2294	18000	6667
850	35,50	2,33	25,4	2306	18000	6710
850	40,05	2,06	22,5	2383	18000	7022
850	43,05	1,92	20,9	2425	18000	7200
850	50,25	1,64	17,9	2506	18000	7200
850	54,27	1,52	16,6	2542	18000	7200
850	61,98	1,33	14,5	2597	18000	7200

## IS083

Mn <sub>2</sub> [Nm]	i	Pn <sub>1</sub> [kW]	n <sub>2</sub> [rpm]	Fr1 [N]	Fr2 D [N]	Fr2 C-L [N]
850	67,52	1,25	13,3	2629	18000	7200
850	74,18	1,14	12,1	2661	18000	7200
850	81,71	1,03	11,0	2691	18000	7200
850	91,49	0,92	9,8	2723	18000	7200
850	100,62	0,84	8,9	2747	18000	7200
850	117,17	0,72	7,7	2781	18000	7200
850	128,73	0,66	7,0	2799	18000	7200
850	136,34	0,62	6,6	2810	18000	7200
850	158,76	0,53	5,7	2835	18000	7200
850	184,88	0,46	4,9	2856	18000	7200
855	203,11	0,42	4,4	2868	18000	7200
850	205,34	0,41	4,4	2869	18000	7200
850	226,04	0,37	4,0	2880	18000	7200
850	250,50	0,34	3,6	2891	18000	7200
845	266,13	0,32	3,4	2896	18000	7200
845	292,36	0,29	3,1	2904	18000	7200
845	315,73	0,27	2,9	2911	18000	7200
845	360,58	0,23	2,5	2920	18000	7200

## IS102

Mn <sub>2</sub> [Nm]	i	Pn <sub>1</sub> [kW]	n <sub>2</sub> [rpm]	Fr1 [N]	Fr2 D [N]	Fr2 C-L [N]
610	8,06	7,35	111,6	530	17780	5080
650	8,85	7,14	101,7	616	18268	5220
685	10,88	6,12	82,7	953	19599	5600
720	12,75	5,49	70,6	1160	20652	5901
865	13,99	6,01	64,3	988	20834	5953
900	15,43	5,67	58,3	1099	21489	6140
940	17,21	5,31	52,3	1227	22000	6362
1010	19,00	5,17	47,4	1270	22000	6529
1010	20,83	4,71	43,2	1421	22000	6763
1010	22,13	4,44	40,7	1513	22000	6922
1080	24,28	4,32	37,1	1548	22000	7093
1080	26,33	3,99	34,2	1660	22000	7318
1080	29,87	3,51	30,1	1818	22000	7678
1280	32,40	3,84	27,8	1909	22000	7918
1195	34,91	3,33	25,8	2054	22000	8223
1280	38,30	3,25	23,5	2076	22000	8434
1195	42,53	2,73	21,2	2221	22000	8849
1110	44,00	2,45	20,4	2300	22000	9000
1365	47,13	2,82	19,1	2197	22000	9000
1195	50,25	2,31	17,9	2339	22000	9000

## IS102

Mn <sub>2</sub> [Nm]	i	Pn <sub>1</sub> [kW]	n <sub>2</sub> [rpm]	Fr1 [N]	Fr2 D [N]	Fr2 C-L [N]
1110	55,14	1,96	16,3	2439	22000	9000
1365	59,40	2,23	15,2	2361	22000	9000
1365	67,84	1,96	13,3	2439	22000	9000

## IS103

Mn <sub>2</sub> [Nm]	i	Pn <sub>1</sub> [kW]	n <sub>2</sub> [rpm]	Fr1 [N]	Fr2 D [N]	Fr2 C-L [N]
1365	74,18	1,83	12,1	2486	22000	9000
1365	81,39	1,66	11,1	2530	22000	9000
1365	89,77	1,51	10,0	2573	22000	9000
1365	100,15	1,35	9,0	2616	22000	9000
1365	110,55	1,23	8,1	2651	22000	9000
1365	121,29	1,12	7,4	2681	22000	9000
1365	128,73	1,05	7,0	2699	22000	9000
1365	141,24	0,96	6,4	2725	22000	9000
1370	173,78	0,78	5,2	2774	22000	9000
1365	188,51	0,72	4,8	2791	22000	9000
1365	203,11	0,67	4,4	2805	22000	9000
1365	222,85	0,61	4,0	2821	22000	9000
1365	224,76	0,60	4,0	2823	22000	9000
1365	274,20	0,49	3,3	2853	22000	9000
1365	280,89	0,48	3,2	2856	22000	9000
1360	292,36	0,46	3,1	2861	22000	9000
1370	320,79	0,42	2,8	2873	22000	9000
1360	345,60	0,39	2,6	2881	22000	9000
1360	394,69	0,34	2,3	2894	22000	9000

## IS122

Mn <sub>2</sub> [Nm]	i	Pn <sub>1</sub> [kW]	n <sub>2</sub> [rpm]	Fr1 [N]	Fr2 D [N]	Fr2 C-L [N]
1080	8,48	12,38	106,1	2900	23269	6648
1225	9,30	12,81	96,8	2864	23372	6678
1225	10,24	11,63	87,9	2965	24346	6956
1370	11,42	11,66	78,8	2963	24689	7054
1590	12,63	12,24	71,3	2916	24586	7025
1735	13,84	12,19	65,0	2921	24815	7090
1880	16,99	10,75	53,0	3044	26428	7551
2020	21,25	9,24	42,4	3172	28448	8128
2020	22,37	8,78	40,2	3211	29123	8321
2095	23,29	8,74	38,6	3215	29267	8362
2165	26,15	8,05	34,4	3274	30000	8703

## IS122

Mn <sub>2</sub> [Nm]	i	Pn <sub>1</sub> [kW]	n <sub>2</sub> [rpm]	Fr1 [N]	Fr2 D [N]	Fr2 C-L [N]
2165	28,60	7,36	31,5	3333	30000	9066
2560	30,51	8,15	29,5	3373	30000	9335
2560	32,76	7,60	27,5	3414	30000	9637
2560	33,44	7,44	26,9	3425	30000	9727
2560	35,20	7,07	25,6	3452	30000	9950
2560	41,07	6,06	21,9	3525	30000	10647
2560	43,60	5,71	20,6	3551	30000	10928
2050	44,63	4,46	20,2	3642	30000	11200
2050	49,04	4,06	18,4	3671	30000	11200
2220	53,75	4,01	16,7	3674	30000	11200
2560	66,00	3,77	13,6	3692	30000	11200

## IS123

Mn <sub>2</sub> [Nm]	i	Pn <sub>1</sub> [kW]	n <sub>2</sub> [rpm]	Fr1 [N]	Fr2 D [N]	Fr2 C-L [N]
2305	64,84	3,53	13,9	3715	30000	11200
2305	71,07	3,22	12,7	3737	30000	11200
2305	78,46	2,92	11,5	3735	30000	11200
2560	87,27	2,91	10,3	3758	30000	11200
2560	105,91	2,40	8,5	3795	30000	11200
2560	112,52	2,26	8,0	3805	30000	11200
2560	123,33	2,06	7,3	3819	30000	11200
2560	130,04	1,95	6,9	3827	30000	11200
2565	133,78	1,90	6,7	3830	30000	11200
2560	151,43	1,68	5,9	3846	30000	11200
2565	177,53	1,43	5,1	3864	30000	11200
2555	194,59	1,30	4,6	3873	30000	11200
2560	215,60	1,18	4,2	3882	30000	11200
2565	238,93	1,07	3,8	3890	30000	11200

## IS142

Mn <sub>2</sub> [Nm]	i	Pn <sub>1</sub> [kW]	n <sub>2</sub> [rpm]	Fr1 [N]	Fr2 D [N]	Fr2 C-L [N]
1080	7,32	14,34	123,0	2861	28487	16279
1180	8,21	13,97	109,7	2860	28268	16153
1300	9,29	13,61	96,9	2860	27839	15908
1355	9,91	13,28	90,8	2859	27520	15726
1445	11,41	12,31	78,9	2976	28027	16015
1880	12,81	14,26	70,2	3305	31658	18090
1760	14,27	11,99	63,1	3565	35000	18500
1915	16,01	11,63	56,2	3606	35000	18500

## IS142

Mn <sub>2</sub> [Nm]	i	Pn <sub>1</sub> [kW]	n <sub>2</sub> [rpm]	Fr1 [N]	Fr2 D [N]	Fr2 C-L [N]
2165	18,11	11,62	49,7	3607	34964	18500
2315	19,33	11,64	46,5	3606	34583	18500
2395	22,24	10,46	40,5	3736	35000	18500
2090	25,26	8,04	35,6	4003	35000	18500
2345	28,33	8,04	31,8	4003	35000	18500
3135	32,05	9,51	28,1	4003	35000	18500
3350	34,22	9,51	26,3	4003	35000	18500
3785	39,38	9,34	22,9	4019	35000	18500

## IS143

Mn <sub>2</sub> [Nm]	i	Pn <sub>1</sub> [kW]	n <sub>2</sub> [rpm]	Fr1 [N]	Fr2 D [N]	Fr2 C-L [N]
3425	45,77	7,43	19,7	4200	35000	18500
3815	50,97	7,43	17,7	4200	35000	18500
4045	57,17	7,02	15,7	4200	35000	18500
4075	64,68	6,25	13,9	4200	35000	18500
4165	69,06	5,99	13,0	4200	35000	18500
3615	79,45	4,52	11,3	4200	35000	18500
3790	98,81	3,81	9,1	4200	35000	18500
4045	110,05	3,65	8,2	4200	35000	18500
4060	123,44	3,26	7,3	4200	35000	18500
4135	139,64	2,94	6,4	4200	35000	18500
4085	149,10	2,72	6,0	4200	35000	18500
3245	157,49	2,05	5,7	4200	35000	18500
3990	171,55	2,31	5,2	4200	35000	18500
3615	175,41	2,05	5,1	4200	35000	18500
4055	196,74	2,05	4,6	4200	35000	18500
4025	222,57	1,80	4,0	4200	35000	18500
4170	237,63	1,74	3,8	4200	35000	18500
4090	273,41	1,48	3,3	4200	35000	18500

## IS152

Mn <sub>2</sub> [Nm]	i	Pn <sub>1</sub> [kW]	n <sub>2</sub> [rpm]	Fr1 [N]	Fr2 D [N]	Fr2 C-L [N]
2390	12,46	18,64	72,2	4394	40000	19400
2665	13,91	18,62	64,7	4395	40000	19400
3060	15,97	18,63	56,4	4395	40000	19400
3360	17,53	18,63	51,4	4395	40000	19400
3710	19,91	18,11	45,2	4394	40000	19400
3995	22,88	16,97	39,3	4394	40000	19400
4400	27,11	15,78	33,2	4586	40000	19400



## IS152

<b>Mn<sub>2</sub></b> <b>[Nm]</b>	<b>i</b>	<b>Pn<sub>1</sub></b> <b>[kW]</b>	<b>n<sub>2</sub></b> <b>[rpm]</b>	<b>Fr1</b> <b>[N]</b>	<b>Fr2</b> <b>D [N]</b>	<b>Fr2</b> <b>C-L [N]</b>
4830	29,75	15,78	30,2	4585	40000	19400
6485	33,79	18,65	26,6	4586	40000	19400
6570	38,84	16,44	23,2	4711	40000	19400

## IS153

<b>Mn<sub>2</sub></b> <b>[Nm]</b>	<b>i</b>	<b>Pn<sub>1</sub></b> <b>[kW]</b>	<b>n<sub>2</sub></b> <b>[rpm]</b>	<b>Fr1</b> <b>[N]</b>	<b>Fr2</b> <b>D [N]</b>	<b>Fr2</b> <b>C-L [N]</b>
5365	40,10	13,28	22,4	4906	40000	19400
5990	44,76	13,28	20,1	4906	40000	19400
6720	51,38	12,98	17,5	4923	40000	19400
7050	56,39	12,41	16,0	4955	40000	19400
7515	64,05	11,65	14,1	4997	40000	19400
6645	73,63	8,96	12,2	5146	40000	19400
6070	87,16	6,91	10,3	5200	40000	19400
6775	97,27	6,91	9,2	5200	40000	19400
7775	111,67	6,91	8,1	5200	40000	19400
8145	122,57	6,60	7,3	5200	40000	19400
7810	139,21	5,57	6,5	5200	40000	19400
6090	154,02	3,92	5,8	5200	40000	19400
6905	160,02	4,28	5,6	5200	40000	19400
6990	176,81	3,92	5,1	5200	40000	19400
7675	194,06	3,93	4,6	5200	40000	19400
7990	220,42	3,60	4,1	5200	40000	19400
7070	253,36	2,77	3,5	5200	40000	19400

## IS052

Mn <sub>2</sub> [Nm]	i	Pn <sub>1</sub> [kW]	n <sub>2</sub> [rpm]	Fr1 [N]	Fr2 D [N]	Fr2 C-L [N]
123	8,63	1,07	81,2	674	4435	4435
137	11,14	0,93	62,8	773	4795	4795
145	12,00	0,91	58,3	787	4881	4881
152	13,66	0,84	51,3	835	5086	5086
174	15,27	0,86	45,8	823	5141	5141
174	16,29	0,80	43,0	859	5283	5283
174	18,63	0,70	37,6	928	5590	5590
174	19,73	0,66	35,5	955	5725	5725
188	21,04	0,67	33,3	947	5756	5756
188	21,53	0,66	32,5	958	5812	5812
188	24,07	0,59	29,1	1005	6000	6000
246	25,20	0,73	27,8	979	6000	6000
208	25,79	0,61	27,1	989	6000	6000
208	27,81	0,56	25,2	1019	6000	6000
208	30,00	0,52	23,3	1047	6000	6000
256	32,55	0,59	21,5	1064	6000	6000
256	33,00	0,58	21,2	1069	6000	6000
256	34,09	0,56	20,5	1080	6000	6000
282	36,55	0,58	19,1	1071	6000	6000
282	38,75	0,55	18,1	1090	6000	6000
298	39,90	0,56	17,5	1081	6000	6000
298	42,63	0,53	16,4	1101	6000	6000
298	46,00	0,49	15,2	1124	6000	6000
298	47,20	0,47	14,8	1131	6000	6000
298	52,25	0,43	13,4	1158	6000	6000
298	57,86	0,39	12,1	1182	6000	6000
298	59,42	0,38	11,8	1188	6000	6000
298	72,83	0,31	9,6	1228	6000	6000

## IS053

Mn <sub>2</sub> [Nm]	i	Pn <sub>1</sub> [kW]	n <sub>2</sub> [rpm]	Fr1 [N]	Fr2 D [N]	Fr2 C-L [N]
300	36,50	0,63	19,2	1050	6000	6000
300	47,14	0,49	14,8	1131	6000	6000
300	57,79	0,40	12,1	1181	6000	6000
300	63,74	0,36	11,0	1203	6000	6000
300	74,20	0,31	9,4	1231	6000	6000
300	78,14	0,29	9,0	1240	6000	6000
298	95,84	0,24	7,3	1271	6000	6000
296	117,48	0,19	6,0	1296	6000	6000
300	137,45	0,17	5,1	1312	6000	6000
300	177,55	0,13	3,9	1333	6000	6000

## IS053

Mn <sub>2</sub> [Nm]	i	Pn <sub>1</sub> [kW]	n <sub>2</sub> [rpm]	Fr1 [N]	Fr2 D [N]	Fr2 C-L [N]
304	198,45	0,12	3,5	1341	6000	6000
298	217,64	0,11	3,2	1347	6000	6000
294	256,33	0,09	2,7	1356	6000	6000
292	314,21	0,07	2,2	1365	6000	6000

## IS062

Mn <sub>2</sub> [Nm]	i	Pn <sub>1</sub> [kW]	n <sub>2</sub> [rpm]	Fr1 [N]	Fr2 D [N]	Fr2 C-L [N]
238	8,00	2,24	87,5	284	6975	2790
238	8,92	2,01	78,5	400	7312	2925
260	9,55	2,05	73,3	380	7325	2930
260	10,65	1,84	65,8	486	7683	3073
282	11,71	1,81	59,8	500	7803	3121
302	13,06	1,74	53,6	531	7983	3193
302	13,36	1,70	52,4	551	8065	3226
324	15,94	1,53	43,9	639	8516	3407
324	16,16	1,51	43,3	649	8570	3428
324	19,29	1,26	36,3	772	9266	3706
332	19,55	1,28	35,8	767	9254	3702
338	23,18	1,10	30,2	856	9901	3960
338	23,75	1,07	29,5	869	10000	4000
346	25,14	1,04	27,8	888	10000	4000
346	27,66	0,94	25,3	935	10000	4000
360	30,00	0,90	23,3	954	10000	4000
460	33,93	1,02	20,6	975	10000	4000
510	36,57	1,05	19,1	961	10000	4000
510	39,38	0,97	17,8	993	10000	4000
510	43,64	0,88	16,0	1034	10000	4000
510	46,10	0,83	15,2	1054	10000	4000
510	48,30	0,79	14,5	1070	10000	4000
510	53,53	0,72	13,1	1103	10000	4000
510	55,00	0,70	12,7	1111	10000	4000
510	67,47	0,57	10,4	1166	10000	4000

## IS063

Mn <sub>2</sub> [Nm]	i	Pn <sub>1</sub> [kW]	n <sub>2</sub> [rpm]	Fr1 [N]	Fr2 D [N]	Fr2 C-L [N]
510	33,57	1,17	20,9	921	10000	4000
510	37,77	1,04	18,5	976	10000	4000
510	40,05	0,98	17,5	1000	10000	4000
510	49,13	0,80	14,2	1076	10000	4000

## IS063

Mn <sub>2</sub> [Nm]	i	Pn <sub>1</sub> [kW]	n <sub>2</sub> [rpm]	Fr1 [N]	Fr2 D [N]	Fr2 C-L [N]
510	55,29	0,71	12,7	1113	10000	4000
510	58,72	0,67	11,9	1130	10000	4000
510	65,85	0,60	10,6	1160	10000	4000
510	68,25	0,57	10,3	1169	10000	4000
510	73,63	0,53	9,5	1187	10000	4000
510	81,43	0,48	8,6	1208	10000	4000
510	99,89	0,39	7,0	1245	10000	4000
510	126,43	0,31	5,5	1279	10000	4000
510	150,85	0,26	4,6	1300	10000	4000
515	182,53	0,22	3,8	1319	10000	4000
515	185,05	0,21	3,8	1320	10000	4000
510	217,79	0,18	3,2	1334	10000	4000
510	267,16	0,15	2,6	1348	10000	4000

## IS082

Mn <sub>2</sub> [Nm]	i	Pn <sub>1</sub> [kW]	n <sub>2</sub> [rpm]	Fr1 [N]	Fr2 D [N]	Fr2 C-L [N]
396	7,34	4,06	95,4	1153	15474	4421
432	8,06	4,03	86,8	1166	15847	4528
470	9,94	3,56	70,4	1388	16959	4845
505	11,61	3,27	60,3	1511	17790	5083
540	12,75	3,19	54,9	1548	18000	5215
545	14,04	2,92	49,8	1663	18000	5399
555	15,43	2,71	45,4	1766	18000	5583
555	15,73	2,65	44,5	1789	18000	5623
555	17,29	2,41	40,5	1898	18000	5826
555	19,03	2,19	36,8	1997	18000	6038
555	20,14	2,07	34,8	2052	18000	6166
575	22,13	1,95	31,6	2102	18000	6355
575	24,00	1,80	29,2	2171	18000	6550
575	26,05	1,66	26,9	2236	18000	6751
650	27,29	1,79	25,6	2180	18000	6768
650	28,67	1,71	24,4	2219	18000	6894
650	29,60	1,65	23,6	2243	18000	6976
850	31,78	2,01	22,0	2217	18000	7063
850	34,91	1,83	20,1	2286	18000	7200
850	35,50	1,80	19,7	2298	18000	7200
850	40,05	1,60	17,5	2376	18000	7200
850	43,05	1,49	16,3	2419	18000	7200
850	50,25	1,27	13,9	2500	18000	7200
850	54,27	1,18	12,9	2536	18000	7200
850	61,98	1,03	11,3	2592	18000	7200

## IS083

Mn <sub>2</sub> [Nm]	i	Pn <sub>1</sub> [kW]	n <sub>2</sub> [rpm]	Fr1 [N]	Fr2 D [N]	Fr2 C-L [N]
850	67,52	0,97	10,4	2625	18000	7200
850	74,18	0,88	9,4	2657	18000	7200
850	81,71	0,80	8,6	2688	18000	7200
850	91,49	0,71	7,7	2720	18000	7200
850	100,62	0,65	7,0	2744	18000	7200
850	117,17	0,56	6,0	2778	18000	7200
850	128,73	0,51	5,4	2797	18000	7200
850	136,34	0,48	5,1	2808	18000	7200
850	158,76	0,41	4,4	2833	18000	7200
850	184,88	0,35	3,8	2855	18000	7200
855	203,11	0,32	3,5	2867	18000	7200
850	205,34	0,32	3,4	2868	18000	7200
850	226,04	0,29	3,1	2879	18000	7200
850	250,50	0,26	2,8	2889	18000	7200
845	266,13	0,24	2,6	2895	18000	7200
845	292,36	0,22	2,4	2903	18000	7200
845	315,73	0,21	2,2	2910	18000	7200
845	360,58	0,18	1,9	2919	18000	7200

## IS102

Mn <sub>2</sub> [Nm]	i	Pn <sub>1</sub> [kW]	n <sub>2</sub> [rpm]	Fr1 [N]	Fr2 D [N]	Fr2 C-L [N]
610	8,06	5,69	86,8	501	19490	5569
650	8,85	5,53	79,1	588	20031	5723
685	10,88	4,73	64,3	929	21487	6139
720	12,75	4,25	54,9	1138	22000	6469
865	13,99	4,65	50,0	964	22000	6537
900	15,43	4,39	45,4	1077	22000	6743
940	17,21	4,11	40,7	1206	22000	6988
1010	19,00	4,00	36,8	1250	22000	7175
1010	20,83	3,65	33,6	1403	22000	7430
1010	22,13	3,43	31,6	1495	22000	7601
1080	24,28	3,35	28,8	1531	22000	7793
1080	26,33	3,09	26,6	1645	22000	8037
1080	29,87	2,72	23,4	1804	22000	8429
1280	32,40	2,97	21,6	1896	22000	8690
1195	34,91	2,58	20,1	2042	22000	9000
1280	38,30	2,51	18,3	2065	22000	9000
1195	42,53	2,11	16,5	2212	22000	9000
1110	44,00	1,90	15,9	2292	22000	9000
1365	47,13	2,18	14,8	2188	22000	9000
1195	50,25	1,79	13,9	2331	22000	9000

## IS102

Mn <sub>2</sub> [Nm]	i	Pn <sub>1</sub> [kW]	n <sub>2</sub> [rpm]	Fr1 [N]	Fr2 D [N]	Fr2 C-L [N]
1110	55,14	1,51	12,7	2432	22000	9000
1365	59,40	1,73	11,8	2353	22000	9000
1365	67,84	1,51	10,3	2432	22000	9000

## IS103

Mn <sub>2</sub> [Nm]	i	Pn <sub>1</sub> [kW]	n <sub>2</sub> [rpm]	Fr1 [N]	Fr2 D [N]	Fr2 C-L [N]
1365	74,18	1,41	9,4	2480	22000	9000
1365	81,39	1,29	8,6	2525	22000	9000
1365	89,77	1,17	7,8	2568	22000	9000
1365	100,15	1,05	7,0	2612	22000	9000
1365	110,55	0,95	6,3	2647	22000	9000
1365	121,29	0,86	5,8	2678	22000	9000
1365	128,73	0,81	5,4	2696	22000	9000
1365	141,24	0,74	5,0	2722	22000	9000
1370	173,78	0,61	4,0	2772	22000	9000
1365	188,51	0,56	3,7	2789	22000	9000
1365	203,11	0,52	3,5	2803	22000	9000
1365	222,85	0,47	3,1	2819	22000	9000
1365	224,76	0,47	3,1	2821	22000	9000
1365	274,20	0,38	2,5	2851	22000	9000
1365	280,89	0,37	2,5	2854	22000	9000
1360	292,36	0,36	2,4	2860	22000	9000
1370	320,79	0,33	2,2	2871	22000	9000
1360	345,60	0,30	2,0	2880	22000	9000
1360	394,69	0,26	1,8	2893	22000	9000

## IS122

Mn <sub>2</sub> [Nm]	i	Pn <sub>1</sub> [kW]	n <sub>2</sub> [rpm]	Fr1 [N]	Fr2 D [N]	Fr2 C-L [N]
1080	8,48	9,58	82,5	2887	25726	7350
1225	9,30	9,91	75,3	2851	25898	7399
1225	10,24	9,00	68,4	2953	26956	7702
1370	11,42	9,03	61,3	2951	27388	7825
1590	12,63	9,47	55,4	2903	27364	7818
1735	13,84	9,43	50,6	2908	27673	7906
1880	16,99	8,32	41,2	3033	29485	8424
2020	21,25	7,15	32,9	3162	30000	9068
2020	22,37	6,79	31,3	3202	30000	9278
2095	23,29	6,77	30,1	3206	30000	9331
2165	26,15	6,23	26,8	3266	30000	9710

## IS122

Mn <sub>2</sub> [Nm]	i	Pn <sub>1</sub> [kW]	n <sub>2</sub> [rpm]	Fr1 [N]	Fr2 D [N]	Fr2 C-L [N]
2165	28,60	5,69	24,5	3326	30000	10104
2560	30,51	6,31	22,9	3366	30000	10396
2560	32,76	5,88	21,4	3407	30000	10724
2560	33,44	5,76	20,9	3419	30000	10822
2560	35,20	5,47	19,9	3446	30000	11065
2560	41,07	4,69	17,1	3520	30000	11200
2560	43,60	4,42	16,1	3546	30000	11200
2050	44,63	3,46	15,7	3638	30000	11200
2050	49,04	3,14	14,3	3667	30000	11200
2220	53,75	3,11	13,0	3671	30000	11200
2560	66,00	2,92	10,6	3688	30000	11200

## IS123

Mn <sub>2</sub> [Nm]	i	Pn <sub>1</sub> [kW]	n <sub>2</sub> [rpm]	Fr1 [N]	Fr2 D [N]	Fr2 C-L [N]
2305	64,84	2,73	10,8	3712	30000	11200
2305	71,07	2,49	9,8	3734	30000	11200
2305	78,46	2,26	8,9	3732	30000	11200
2560	87,27	2,25	8,0	3756	30000	11200
2560	105,91	1,86	6,6	3793	30000	11200
2560	112,52	1,75	6,2	3803	30000	11200
2560	123,33	1,59	5,7	3817	30000	11200
2560	130,04	1,51	5,4	3825	30000	11200
2565	133,78	1,47	5,2	3829	30000	11200
2560	151,43	1,30	4,6	3845	30000	11200
2565	177,53	1,11	3,9	3863	30000	11200
2555	194,59	1,01	3,6	3872	30000	11200
2560	215,60	0,91	3,2	3881	30000	11200
2565	238,93	0,82	2,9	3889	30000	11200

## IS142

Mn <sub>2</sub> [Nm]	i	Pn <sub>1</sub> [kW]	n <sub>2</sub> [rpm]	Fr1 [N]	Fr2 D [N]	Fr2 C-L [N]
1080	7,32	11,10	95,7	2836	32133	18362
1180	8,21	10,81	85,3	2836	32039	18308
1300	9,29	10,53	75,4	2835	31747	18141
1355	9,91	10,28	70,6	2835	31503	18002
1445	11,41	9,53	61,4	2953	32189	18394
1880	12,81	11,04	54,6	3286	35000	18500
1760	14,27	9,28	49,0	3549	35000	18500
1915	16,01	9,00	43,7	3591	35000	18500

## IS142

Mn <sub>2</sub> [Nm]	i	Pn <sub>1</sub> [kW]	n <sub>2</sub> [rpm]	Fr1 [N]	Fr2 D [N]	Fr2 C-L [N]
2165	18,11	8,99	38,7	3591	35000	18500
2315	19,33	9,01	36,2	3591	35000	18500
2395	22,24	8,10	31,5	3722	35000	18500
2090	25,26	6,22	27,7	3992	35000	18500
2345	28,33	6,23	24,7	3992	35000	18500
3135	32,05	7,36	21,8	3992	35000	18500
3350	34,22	7,36	20,4	3992	35000	18500
3785	39,38	7,23	17,8	4009	35000	18500

## IS143

Mn <sub>2</sub> [Nm]	i	Pn <sub>1</sub> [kW]	n <sub>2</sub> [rpm]	Fr1 [N]	Fr2 D [N]	Fr2 C-L [N]
3425	45,77	5,75	15,3	4200	35000	18500
3815	50,97	5,75	13,7	4200	35000	18500
4045	57,17	5,44	12,2	4200	35000	18500
4075	64,68	4,84	10,8	4200	35000	18500
4165	69,06	4,63	10,1	4200	35000	18500
3615	79,45	3,50	8,8	4200	35000	18500
3790	98,81	2,95	7,1	4200	35000	18500
4045	110,05	2,82	6,4	4200	35000	18500
4060	123,44	2,53	5,7	4200	35000	18500
4135	139,64	2,27	5,0	4200	35000	18500
4085	149,10	2,10	4,7	4200	35000	18500
3245	157,49	1,58	4,4	4200	35000	18500
3990	171,55	1,79	4,1	4200	35000	18500
3615	175,41	1,58	4,0	4200	35000	18500
4055	196,74	1,58	3,6	4200	35000	18500
4025	222,57	1,39	3,1	4200	35000	18500
4170	237,63	1,35	3,0	4200	35000	18500
4090	273,41	1,15	2,6	4200	35000	18500

## IS152

Mn <sub>2</sub> [Nm]	i	Pn <sub>1</sub> [kW]	n <sub>2</sub> [rpm]	Fr1 [N]	Fr2 D [N]	Fr2 C-L [N]
2390	12,46	14,43	56,2	4380	40000	19400
2665	13,91	14,41	50,3	4380	40000	19400
3060	15,97	14,42	43,8	4380	40000	19400
3360	17,53	14,42	39,9	4380	40000	19400
3710	19,91	14,02	35,2	4380	40000	19400
3995	22,88	13,13	30,6	4379	40000	19400
4400	27,11	12,21	25,8	4573	40000	19400



## IS152

Mn <sub>2</sub> [Nm]	i	Pn <sub>1</sub> [kW]	n <sub>2</sub> [rpm]	Fr1 [N]	Fr2 D [N]	Fr2 C-L [N]
4830	29,75	12,21	23,5	4573	40000	19400
6485	33,79	14,44	20,7	4573	40000	19400
6570	38,84	12,72	18,0	4700	40000	19400

## IS153

Mn <sub>2</sub> [Nm]	i	Pn <sub>1</sub> [kW]	n <sub>2</sub> [rpm]	Fr1 [N]	Fr2 D [N]	Fr2 C-L [N]
5365	40,10	10,28	17,5	4897	40000	19400
5990	44,76	10,28	15,6	4898	40000	19400
6720	51,38	10,05	13,6	4914	40000	19400
7050	56,39	9,60	12,4	4946	40000	19400
7515	64,05	9,01	10,9	4990	40000	19400
6645	73,63	6,93	9,5	5141	40000	19400
6070	87,16	5,35	8,0	5200	40000	19400
6775	97,27	5,35	7,2	5200	40000	19400
7775	111,67	5,35	6,3	5200	40000	19400
8145	122,57	5,11	5,7	5200	40000	19400
7810	139,21	4,31	5,0	5200	40000	19400
6090	154,02	3,04	4,5	5200	40000	19400
6905	160,02	3,32	4,4	5200	40000	19400
6990	176,81	3,04	4,0	5200	40000	19400
7675	194,06	3,04	3,6	5200	40000	19400
7990	220,42	2,78	3,2	5200	40000	19400
7070	253,36	2,14	2,8	5200	40000	19400

## IS052

Mn <sub>2</sub> [Nm]	i	Pn <sub>1</sub> [kW]	n <sub>2</sub> [rpm]	Fr1 [N]	Fr2 D [N]	Fr2 C-L [N]
123	8,63	0,76	58,0	666	5067	5067
137	11,14	0,66	44,9	766	5482	5482
145	12,00	0,65	41,7	780	5585	5585
152	13,66	0,60	36,6	829	5820	5820
174	15,27	0,61	32,7	816	5901	5901
174	16,29	0,57	30,7	853	6000	6000
174	18,63	0,50	26,8	922	6000	6000
174	19,73	0,47	25,4	949	6000	6000
188	21,04	0,48	23,8	942	6000	6000
188	21,53	0,47	23,2	953	6000	6000
188	24,07	0,42	20,8	1000	6000	6000
246	25,20	0,52	19,8	974	6000	6000
208	25,79	0,43	19,4	984	6000	6000
208	27,81	0,40	18,0	1015	6000	6000
208	30,00	0,37	16,7	1043	6000	6000
256	32,55	0,42	15,4	1060	6000	6000
256	33,00	0,41	15,2	1065	6000	6000
256	34,09	0,40	14,7	1076	6000	6000
282	36,55	0,41	13,7	1067	6000	6000
282	38,75	0,39	12,9	1086	6000	6000
298	39,90	0,40	12,5	1077	6000	6000
298	42,63	0,37	11,7	1098	6000	6000
298	46,00	0,35	10,9	1121	6000	6000
298	47,20	0,34	10,6	1128	6000	6000
298	52,25	0,30	9,6	1155	6000	6000
298	57,86	0,28	8,6	1179	6000	6000
298	59,42	0,27	8,4	1185	6000	6000
298	72,83	0,22	6,9	1226	6000	6000

## IS053

Mn <sub>2</sub> [Nm]	i	Pn <sub>1</sub> [kW]	n <sub>2</sub> [rpm]	Fr1 [N]	Fr2 D [N]	Fr2 C-L [N]
300	36,50	0,45	13,7	1046	6000	6000
300	47,14	0,35	10,6	1127	6000	6000
300	57,79	0,28	8,7	1179	6000	6000
300	63,74	0,26	7,8	1200	6000	6000
300	74,20	0,22	6,7	1229	6000	6000
300	78,14	0,21	6,4	1238	6000	6000
298	95,84	0,17	5,2	1269	6000	6000
296	117,48	0,14	4,3	1294	6000	6000
300	137,45	0,12	3,6	1311	6000	6000
300	177,55	0,09	2,8	1332	6000	6000

## IS053

Mn <sub>2</sub> [Nm]	i	Pn <sub>1</sub> [kW]	n <sub>2</sub> [rpm]	Fr1 [N]	Fr2 D [N]	Fr2 C-L [N]
304	198,45	0,08	2,5	1340	6000	6000
298	217,64	0,07	2,3	1346	6000	6000
294	256,33	0,06	1,9	1355	6000	6000
292	314,21	0,05	1,6	1365	6000	6000

## IS062

Mn <sub>2</sub> [Nm]	i	Pn <sub>1</sub> [kW]	n <sub>2</sub> [rpm]	Fr1 [N]	Fr2 D [N]	Fr2 C-L [N]
238	8,00	1,59	62,5	270	8029	3212
238	8,92	1,43	56,0	388	8406	3362
260	9,55	1,46	52,4	368	8442	3377
260	10,65	1,31	47,0	475	8841	3536
282	11,71	1,29	42,7	490	8997	3599
302	13,06	1,24	38,3	521	9220	3688
302	13,36	1,21	37,4	541	9310	3724
324	15,94	1,09	31,4	630	9837	3935
324	16,16	1,07	30,9	640	9897	3959
324	19,29	0,90	25,9	765	10000	4000
332	19,55	0,91	25,6	759	10000	4000
338	23,18	0,78	21,6	849	10000	4000
338	23,75	0,76	21,1	863	10000	4000
346	25,14	0,74	19,9	882	10000	4000
346	27,66	0,67	18,1	930	10000	4000
360	30,00	0,64	16,7	949	10000	4000
460	33,93	0,72	14,7	970	10000	4000
510	36,57	0,75	13,7	956	10000	4000
510	39,38	0,69	12,7	988	10000	4000
510	43,64	0,62	11,5	1029	10000	4000
510	46,10	0,59	10,8	1050	10000	4000
510	48,30	0,56	10,3	1066	10000	4000
510	53,53	0,51	9,3	1100	10000	4000
510	55,00	0,50	9,1	1108	10000	4000
510	67,47	0,40	7,4	1163	10000	4000

## IS063

Mn <sub>2</sub> [Nm]	i	Pn <sub>1</sub> [kW]	n <sub>2</sub> [rpm]	Fr1 [N]	Fr2 D [N]	Fr2 C-L [N]
510	33,57	0,83	14,9	916	10000	4000
510	37,77	0,74	13,2	970	10000	4000
510	40,05	0,70	12,5	995	10000	4000
510	49,13	0,57	10,2	1072	10000	4000

## IS063

Mn <sub>2</sub> [Nm]	i	Pn <sub>1</sub> [kW]	n <sub>2</sub> [rpm]	Fr1 [N]	Fr2 D [N]	Fr2 C-L [N]
510	55,29	0,50	9,0	1109	10000	4000
510	58,72	0,47	8,5	1127	10000	4000
510	65,85	0,42	7,6	1157	10000	4000
510	68,25	0,41	7,3	1166	10000	4000
510	73,63	0,38	6,8	1184	10000	4000
510	81,43	0,34	6,1	1206	10000	4000
510	99,89	0,28	5,0	1243	10000	4000
510	126,43	0,22	4,0	1278	10000	4000
510	150,85	0,18	3,3	1299	10000	4000
515	182,53	0,15	2,7	1318	10000	4000
515	185,05	0,15	2,7	1319	10000	4000
510	217,79	0,13	2,3	1333	10000	4000
510	267,16	0,10	1,9	1347	10000	4000

## IS082

Mn <sub>2</sub> [Nm]	i	Pn <sub>1</sub> [kW]	n <sub>2</sub> [rpm]	Fr1 [N]	Fr2 D [N]	Fr2 C-L [N]
396	7,34	2,89	68,1	1132	17494	4998
432	8,06	2,86	62,0	1145	17930	5123
470	9,94	2,53	50,3	1369	18000	5483
505	11,61	2,33	43,1	1494	18000	5754
540	12,75	2,26	39,2	1531	18000	5907
545	14,04	2,07	35,6	1647	18000	6113
555	15,43	1,92	32,4	1752	18000	6319
555	15,73	1,89	31,8	1775	18000	6364
555	17,29	1,72	28,9	1885	18000	6592
555	19,03	1,56	26,3	1985	18000	6828
555	20,14	1,47	24,8	2041	18000	6972
575	22,13	1,39	22,6	2092	18000	7186
575	24,00	1,28	20,8	2162	18000	7200
575	26,05	1,18	19,2	2227	18000	7200
650	27,29	1,27	18,3	2171	18000	7200
650	28,67	1,21	17,4	2210	18000	7200
650	29,60	1,17	16,9	2234	18000	7200
850	31,78	1,43	15,7	2208	18000	7200
850	34,91	1,30	14,3	2278	18000	7200
850	35,50	1,28	14,1	2290	18000	7200
850	40,05	1,13	12,5	2369	18000	7200
850	43,05	1,06	11,6	2412	18000	7200
850	50,25	0,90	9,9	2494	18000	7200
850	54,27	0,84	9,2	2531	18000	7200
850	61,98	0,73	8,1	2588	18000	7200

## IS083

Mn <sub>2</sub> [Nm]	i	Pn <sub>1</sub> [kW]	n <sub>2</sub> [rpm]	Fr1 [N]	Fr2 D [N]	Fr2 C-L [N]
850	67,52	0,69	7,4	2620	18000	7200
850	74,18	0,63	6,7	2653	18000	7200
850	81,71	0,57	6,1	2684	18000	7200
850	91,49	0,51	5,5	2717	18000	7200
850	100,62	0,46	5,0	2741	18000	7200
850	117,17	0,40	4,3	2776	18000	7200
850	128,73	0,36	3,9	2795	18000	7200
850	136,34	0,34	3,7	2806	18000	7200
850	158,76	0,29	3,1	2831	18000	7200
850	184,88	0,25	2,7	2853	18000	7200
855	203,11	0,23	2,5	2865	18000	7200
850	205,34	0,23	2,4	2867	18000	7200
850	226,04	0,21	2,2	2878	18000	7200
850	250,50	0,19	2,0	2888	18000	7200
845	266,13	0,17	1,9	2894	18000	7200
845	292,36	0,16	1,7	2902	18000	7200
845	315,73	0,15	1,6	2909	18000	7200
845	360,58	0,13	1,4	2918	18000	7200

## IS102

Mn <sub>2</sub> [Nm]	i	Pn <sub>1</sub> [kW]	n <sub>2</sub> [rpm]	Fr1 [N]	Fr2 D [N]	Fr2 C-L [N]
610	8,06	4,05	62,0	471	22000	6293
650	8,85	3,93	56,5	560	22000	6470
685	10,88	3,36	45,9	905	22000	6939
720	12,75	3,02	39,2	1116	22000	7312
865	13,99	3,31	35,7	941	22000	7405
900	15,43	3,12	32,4	1054	22000	7639
940	17,21	2,92	29,1	1185	22000	7917
1010	19,00	2,84	26,3	1229	22000	8134
1010	20,83	2,59	24,0	1384	22000	8419
1010	22,13	2,44	22,6	1478	22000	8611
1080	24,28	2,38	20,6	1513	22000	8833
1080	26,33	2,19	19,0	1629	22000	9000
1080	29,87	1,93	16,7	1790	22000	9000
1280	32,40	2,11	15,4	1883	22000	9000
1195	34,91	1,83	14,3	2031	22000	9000
1280	38,30	1,79	13,1	2054	22000	9000
1195	42,53	1,50	11,8	2203	22000	9000
1110	44,00	1,35	11,4	2283	22000	9000
1365	47,13	1,55	10,6	2178	22000	9000
1195	50,25	1,27	9,9	2324	22000	9000

## IS102

Mn <sub>2</sub> [Nm]	i	Pn <sub>1</sub> [kW]	n <sub>2</sub> [rpm]	Fr1 [N]	Fr2 D [N]	Fr2 C-L [N]
1110	55,14	1,08	9,1	2426	22000	9000
1365	59,40	1,23	8,4	2346	22000	9000
1365	67,84	1,08	7,4	2426	22000	9000

## IS103

Mn <sub>2</sub> [Nm]	i	Pn <sub>1</sub> [kW]	n <sub>2</sub> [rpm]	Fr1 [N]	Fr2 D [N]	Fr2 C-L [N]
1365	74,18	1,00	6,7	2474	22000	9000
1365	81,39	0,92	6,1	2520	22000	9000
1365	89,77	0,83	5,6	2563	22000	9000
1365	100,15	0,74	5,0	2607	22000	9000
1365	110,55	0,67	4,5	2643	22000	9000
1365	121,29	0,61	4,1	2674	22000	9000
1365	128,73	0,58	3,9	2692	22000	9000
1365	141,24	0,53	3,5	2718	22000	9000
1370	173,78	0,43	2,9	2769	22000	9000
1365	188,51	0,40	2,6	2786	22000	9000
1365	203,11	0,37	2,5	2801	22000	9000
1365	222,85	0,33	2,2	2817	22000	9000
1365	224,76	0,33	2,2	2819	22000	9000
1365	274,20	0,27	1,8	2850	22000	9000
1365	280,89	0,27	1,8	2853	22000	9000
1360	292,36	0,25	1,7	2858	22000	9000
1370	320,79	0,23	1,6	2870	22000	9000
1360	345,60	0,21	1,4	2878	22000	9000
1360	394,69	0,19	1,3	2892	22000	9000

## IS122

Mn <sub>2</sub> [Nm]	i	Pn <sub>1</sub> [kW]	n <sub>2</sub> [rpm]	Fr1 [N]	Fr2 D [N]	Fr2 C-L [N]
1080	8,48	6,81	59,0	2875	29386	8396
1225	9,30	7,04	53,8	2838	29662	8475
1225	10,24	6,40	48,8	2941	30000	8813
1370	11,42	6,42	43,8	2939	30000	8975
1590	12,63	6,73	39,6	2891	30000	9004
1735	13,84	6,70	36,1	2896	30000	9127
1880	16,99	5,92	29,4	3022	30000	9729
2020	21,25	5,08	23,5	3153	30000	10473
2020	22,37	4,83	22,4	3193	30000	10707
2095	23,29	4,81	21,5	3197	30000	10779
2165	26,15	4,43	19,1	3258	30000	11200

## IS122

Mn <sub>2</sub> [Nm]	i	Pn <sub>1</sub> [kW]	n <sub>2</sub> [rpm]	Fr1 [N]	Fr2 D [N]	Fr2 C-L [N]
2165	28,60	4,05	17,5	3318	30000	11200
2560	30,51	4,49	16,4	3359	30000	11200
2560	32,76	4,18	15,3	3401	30000	11200
2560	33,44	4,09	14,9	3412	30000	11200
2560	35,20	3,89	14,2	3440	30000	11200
2560	41,07	3,33	12,2	3515	30000	11200
2560	43,60	3,14	11,5	3541	30000	11200
2050	44,63	2,46	11,2	3634	30000	11200
2050	49,04	2,24	10,2	3664	30000	11200
2220	53,75	2,21	9,3	3667	30000	11200
2560	66,00	2,07	7,6	3685	30000	11200

## IS123

Mn <sub>2</sub> [Nm]	i	Pn <sub>1</sub> [kW]	n <sub>2</sub> [rpm]	Fr1 [N]	Fr2 D [N]	Fr2 C-L [N]
2305	64,84	1,94	7,7	3709	30000	11200
2305	71,07	1,77	7,0	3731	30000	11200
2305	78,46	1,60	6,4	3730	30000	11200
2560	87,27	1,60	5,7	3753	30000	11200
2560	105,91	1,32	4,7	3791	30000	11200
2560	112,52	1,24	4,4	3801	30000	11200
2560	123,33	1,13	4,0	3815	30000	11200
2560	130,04	1,07	3,8	3823	30000	11200
2565	133,78	1,05	3,7	3827	30000	11200
2560	151,43	0,92	3,3	3843	30000	11200
2565	177,53	0,79	2,8	3861	30000	11200
2555	194,59	0,72	2,6	3870	30000	11200
2560	215,60	0,65	2,3	3880	30000	11200
2565	238,93	0,59	2,1	3888	30000	11200

## IS142

Mn <sub>2</sub> [Nm]	i	Pn <sub>1</sub> [kW]	n <sub>2</sub> [rpm]	Fr1 [N]	Fr2 D [N]	Fr2 C-L [N]
1080	7,32	7,89	68,3	2812	35000	18500
1180	8,21	7,69	60,9	2812	35000	18500
1300	9,29	7,49	53,9	2811	35000	18500
1355	9,91	7,31	50,4	2811	35000	18500
1445	11,41	6,77	43,8	2930	35000	18500
1880	12,81	7,85	39,0	3267	35000	18500
1760	14,27	6,59	35,0	3534	35000	18500
1915	16,01	6,40	31,2	3576	35000	18500

## IS142

Mn <sub>2</sub> [Nm]	i	Pn <sub>1</sub> [kW]	n <sub>2</sub> [rpm]	Fr1 [N]	Fr2 D [N]	Fr2 C-L [N]
2165	18,11	6,39	27,6	3576	35000	18500
2315	19,33	6,40	25,9	3576	35000	18500
2395	22,24	5,76	22,5	3708	35000	18500
2090	25,26	4,42	19,8	3981	35000	18500
2345	28,33	4,43	17,6	3982	35000	18500
3135	32,05	5,23	15,6	3982	35000	18500
3350	34,22	5,23	14,6	3982	35000	18500
3785	39,38	5,14	12,7	3998	35000	18500

## IS143

Mn <sub>2</sub> [Nm]	i	Pn <sub>1</sub> [kW]	n <sub>2</sub> [rpm]	Fr1 [N]	Fr2 D [N]	Fr2 C-L [N]
3425	45,77	4,09	10,9	4196	35000	18500
3815	50,97	4,09	9,8	4196	35000	18500
4045	57,17	3,86	8,8	4200	35000	18500
4075	64,68	3,44	7,7	4200	35000	18500
4165	69,06	3,29	7,2	4200	35000	18500
3615	79,45	2,48	6,3	4200	35000	18500
3790	98,81	2,09	5,1	4200	35000	18500
4045	110,05	2,01	4,5	4200	35000	18500
4060	123,44	1,80	4,0	4200	35000	18500
4135	139,64	1,62	3,6	4200	35000	18500
4085	149,10	1,50	3,4	4200	35000	18500
3245	157,49	1,13	3,2	4200	35000	18500
3990	171,55	1,27	2,9	4200	35000	18500
3615	175,41	1,13	2,9	4200	35000	18500
4055	196,74	1,13	2,5	4200	35000	18500
4025	222,57	0,99	2,2	4200	35000	18500
4170	237,63	0,96	2,1	4200	35000	18500
4090	273,41	0,82	1,8	4200	35000	18500

## IS152

Mn <sub>2</sub> [Nm]	i	Pn <sub>1</sub> [kW]	n <sub>2</sub> [rpm]	Fr1 [N]	Fr2 D [N]	Fr2 C-L [N]
2390	12,46	10,25	40,1	4365	40000	19400
2665	13,91	10,24	36,0	4365	40000	19400
3060	15,97	10,25	31,3	4365	40000	19400
3360	17,53	10,25	28,5	4365	40000	19400
3710	19,91	9,96	25,1	4365	40000	19400
3995	22,88	9,34	21,9	4364	40000	19400
4400	27,11	8,68	18,4	4561	40000	19400



## IS152

Mn <sub>2</sub> [Nm]	i	Pn <sub>1</sub> [kW]	n <sub>2</sub> [rpm]	Fr1 [N]	Fr2 D [N]	Fr2 C-L [N]
4830	29,75	8,68	16,8	4560	40000	19400
6485	33,79	10,26	14,8	4560	40000	19400
6570	38,84	9,04	12,9	4689	40000	19400

## IS153

Mn <sub>2</sub> [Nm]	i	Pn <sub>1</sub> [kW]	n <sub>2</sub> [rpm]	Fr1 [N]	Fr2 D [N]	Fr2 C-L [N]
5365	40,10	7,31	12,5	4889	40000	19400
5990	44,76	7,31	11,2	4889	40000	19400
6720	51,38	7,14	9,7	4906	40000	19400
7050	56,39	6,83	8,9	4938	40000	19400
7515	64,05	6,41	7,8	4982	40000	19400
6645	73,63	4,93	6,8	5135	40000	19400
6070	87,16	3,80	5,7	5200	40000	19400
6775	97,27	3,80	5,1	5200	40000	19400
7775	111,67	3,80	4,5	5200	40000	19400
8145	122,57	3,63	4,1	5200	40000	19400
7810	139,21	3,06	3,6	5200	40000	19400
6090	154,02	2,16	3,2	5200	40000	19400
6905	160,02	2,36	3,1	5200	40000	19400
6990	176,81	2,16	2,8	5200	40000	19400
7675	194,06	2,16	2,6	5200	40000	19400
7990	220,42	1,98	2,3	5200	40000	19400
7070	253,36	1,52	2,0	5200	40000	19400

**ATTENTION!**

The revised data and information, shown in this technical catalogue, replaces the data of the previous editions. Old data is now obsolete. All technical data, dimensions, weights in this catalogue are subject to changes without warning. Illustrations are not binding. You can find the above mentioned data and information on our site [www.motovario.com](http://www.motovario.com); please periodically consult the technical documentation on the web site to be always updated about possible modifications of performances and characteristics of the product.

All supplies effected by MOTOVARIO are governed exclusively by the general terms of sale that you can find on our website:

<http://www.motovario.com/eng/corporate/sales-conditions>



